

FP

- Terminal Pins: Kinked
- Actuator Color: Yellow

Ultra-Miniature Pushbutton Switches

Washable

RoHS Compliant



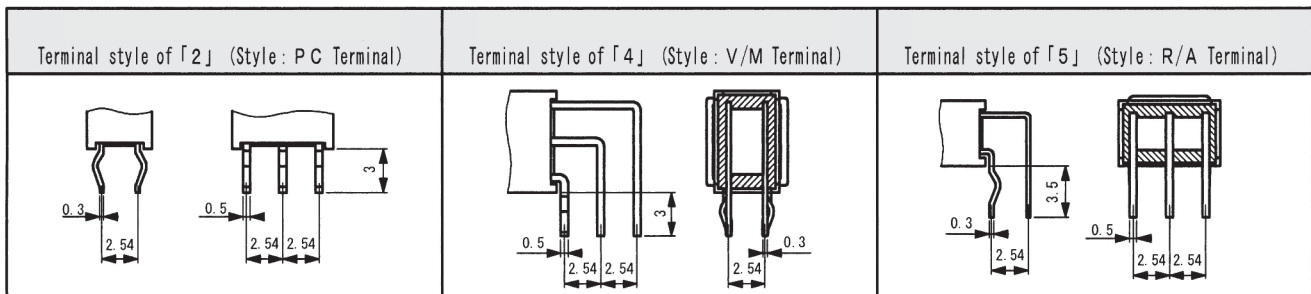
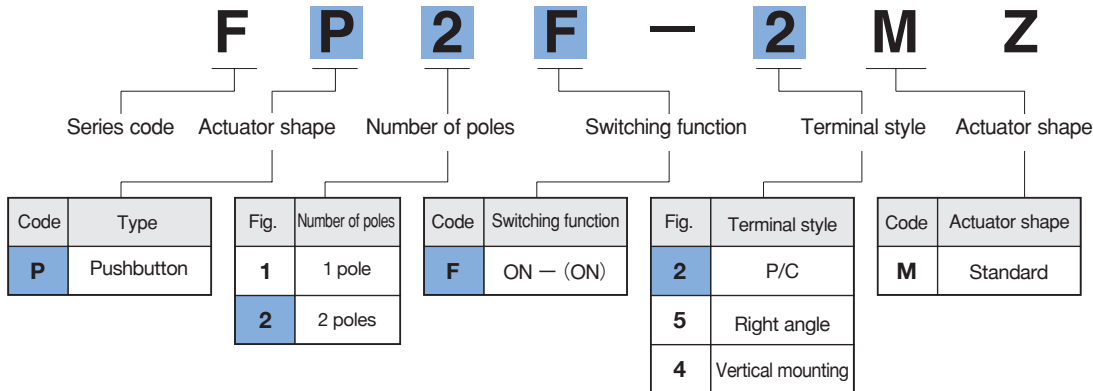
■ Features

1. Ultra-miniature pushbutton switch for high density mounting.
2. Washable.
3. Terminal pin pitch: 2.54 mm.
4. Independent detent mechanism ensures light operational feel.
5. Clip contact mechanism for long-term contact reliability.
6. Gold-plated contacts.

■ Specification

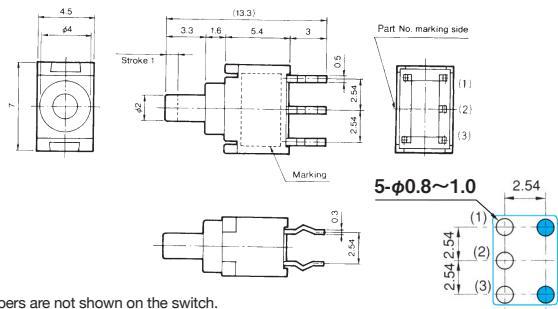
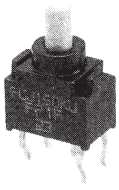
Rating	Max.	0.4VA (28VDC max.)
	Min.	1μA 20mVDC
Initial contact resistance	100mΩmax. (1.5mA 200μVAC)	
Dielectric strength	250V AC 1 minute	
Insulation resistance	500MΩ min. (250VDC)	
Electrical life	10,000 operations at max.rating, 30,000 operations at min.rating,	
Mechanical life	30,000 cycles	
Operating force	1.47 ± 0.98N	
Operating temperature range	-40~+85°C	
Storage temperature range	-40~+85°C	

■ Part Numbering



SPDT

PC



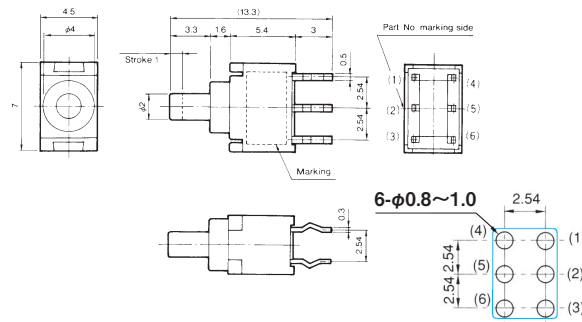
Terminal numbers are not shown on the switch.

Switching function		
Part No.	FP1F-2M-Z	(ON)
Connecting terminals	2-3	2-1

プリント基板孔あけ寸法図 (Top view)
PC Hole Layouts

DPDT

PC



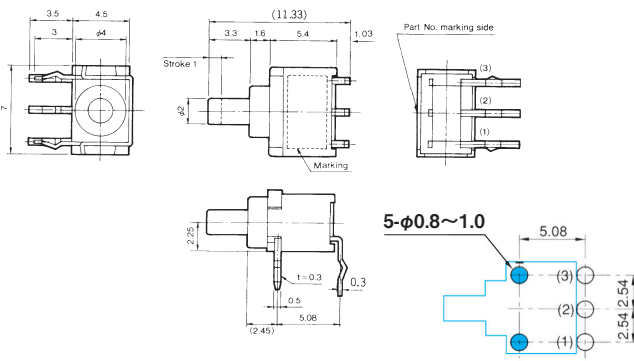
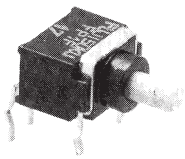
Terminal numbers are not shown on the switch.

Switching function		
Part No.	★ FP2F-2M-Z	(ON)
Connecting terminals	2-3 5-6	2-1 5-4

プリント基板孔あけ寸法図 (Top view)
PC Hole Layouts

SPDT

R/A



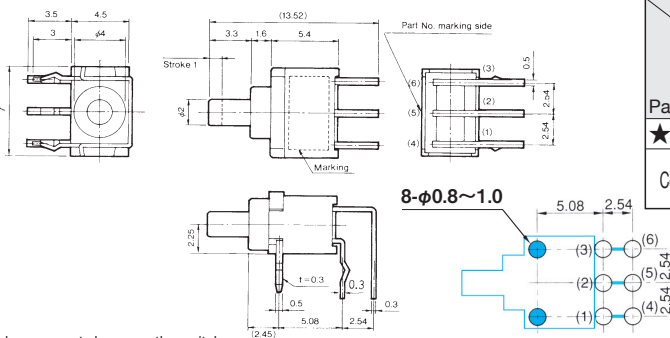
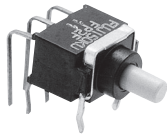
Terminal numbers are not shown on the switch.

Switching function		
Part No.	FP1F-5M-Z	(ON)
Connecting terminals	2-3	2-1

Top view
PC Hole Layouts

DPDT

R/A



Terminal numbers are not shown on the switch.

Switching function		
Part No.	★ FP2F-5M-Z	(ON)
Connecting terminals	2-3 5-6	2-1 5-4

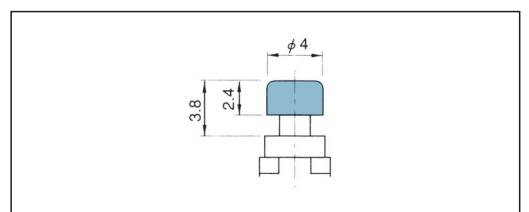
PC Hole Layouts

Optional Accessories

(Sold separately)

Part Name	Dimension	Color	Part Number
Color Cap	<p>ABS resin</p>	White	140000481453
		Red	140000481452
		Black	140000481451
		Gray	140000481450

Color Cap Mounting



:Optional Accessories.

The blue line shows the outline of the switch.

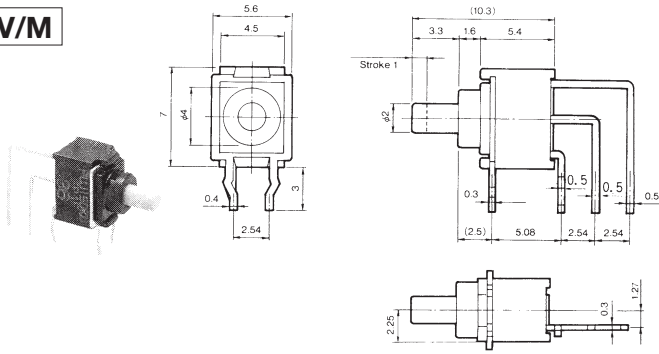
(ON) : Momentary.

★ : Made to order products.

FP

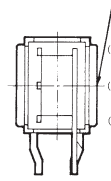
SPDT

V/M

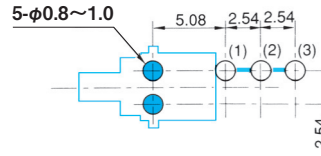


Terminal numbers are not shown on the switch.

Part No. marking side



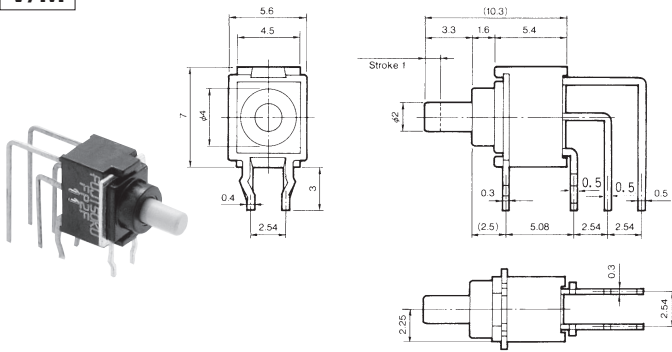
Switching function		
Part No.	ON	(ON)
FP1F-4M-Z	ON	(ON)
Connecting terminals	2-3	2-1



(Top view)
PC Hole Layouts

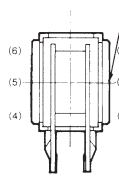
DPDT

V/M

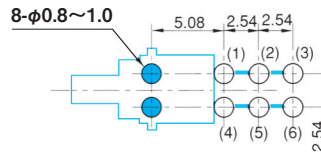


Terminal numbers are not shown on the switch.

Part No. marking side



Switching function		
Part No.	ON	(ON)
★FP2F-4M-Z	ON	(ON)
Connecting terminals	2-3 5-6	2-1 5-4



(Top view)
PC Hole Layouts

■ Handling Precautions (FP, FT, FL)

1. Soldering Specifications

(1) Manual Soldering

Device : Soldering iron
380°C, Max.; 3 seconds, Max.

(2) Auto soldering

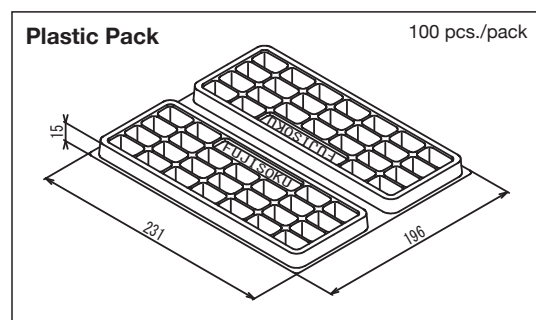
Device : Jet wave type or dip type
275°C, Max.; 6 seconds, Max.
• Pre-heating should be done at temperatures from 80 to 120°C and within 120 seconds.

(3) When soldering two or more terminals to the common land, use solder resist to solder them independently.

2. Flux Cleaning

- (1) Solvents : Fluorine or Alcohol type
- (2) Cleaning after soldering should be done after the PC board is exposed to room temperature (30°C or below) for 1 to 2 hours.
- (3) Do not use ultrasonic cleaning.

■ Packaging Specifications



The blue line shows the outline of the switch.

(ON) : Momentary.

★ : Made to order products.

X-ON Electronics

Largest Supplier of Electrical and Electronic Components

Click to view similar products for [Pushbutton Switches](#) category:

Click to view products by [Nidec Copal](#) manufacturer:

Other Similar products are found below :

[8971K1133](#) [LW2L-M1C20M-A](#) [01-153.025](#) [M22-D-R-GB0/K11](#) [67021K512](#) [701PB580](#) [7199K101](#) [810K12910](#) [810KSV30B](#) [FLT 2U EE](#)
[01A](#) [MML21EA2ADK](#) [MML21KA3ABK](#) [MML23KW3AA01W](#) [8418K2](#) [8442K3](#) [8450K1](#) [860K11911T01A](#) [861901](#) [861K11911T01A07](#)
[861K13810T00A14](#) [861K13911](#) [8646AB6X718UL](#) [9533CD4+U574+U4922](#) [99-450.837](#) [99-453.837](#) [A2PMA1X03EC56](#) [A3A-7310](#) [A3A-](#)
[7340](#) [12037A2ULCSA](#) [1203A2UL](#) [ABGW410-R](#) [1211390004](#) [ABN400-R](#) [121382](#) [1213C3](#) [HE3B-M2](#) [1211500044](#) [121194](#) [1212MRA](#)
[1232A6NF](#) [121489](#) [1223A2ULCSA](#) [D5P-MT4](#) [13435AG](#) [13445AD29GX768](#) [AG23-L2](#) [AH165-2SGLG1TE3](#) [AH165-TGFY22](#) [AH165-](#)
[TGL5Y11E3](#) [AH165-TGLR11AA3](#)