

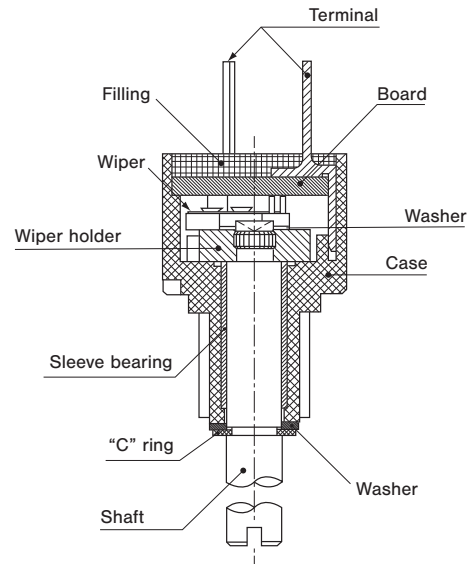
# CONDUCTIVE PLASTIC SINGLE TURN TYPE

# JC10

RoHS compliant



## Basic construction Conductive plastic single turn type



## FEATURES

- Compact ( $\phi$  10 mm)
- Long life
- High resolution (Essentially infinite)
- High following characteristics
- Cost effective
- RoHS compliant

## PART NUMBER DESIGNATION

JC10-000-202N

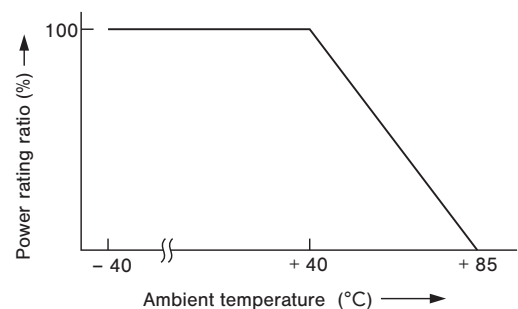
Series name

Nominal resistance value ( $\Omega$ )  
2 k, 5 k, 10 k

## LIST OF PART NUMBERS

Nominal resistance value	Part number
2 k $\Omega$	JC10-000-202N
5 k $\Omega$	JC10-000-502N
10 k $\Omega$	JC10-000-103N

## RATED POWER DERATING CURVE



# JC10

## POTENTIOMETERS

### STANDARD SPECIFICATIONS

#### Electrical characteristics

Nominal resistance value		2 k $\Omega$ , 5 k $\Omega$ , 10 k $\Omega$
Resistance tolerance	%	$\pm 20$
Resolution		Essentially infinite
Independent linearity	%	$\pm 2$
Effective electrical angle		324° $\pm$ 5°
Power rating (at 40 °C)	W	0.125
Dielectric strength	Vrms	500, 1min
Insulation resistance	M $\Omega$ minimum	100 (at DC 500 V)
Temp. coefficient of resistance	ppm/°C	$\pm 400$
Output smoothness		0.1 % maximum

#### Mechanical characteristics

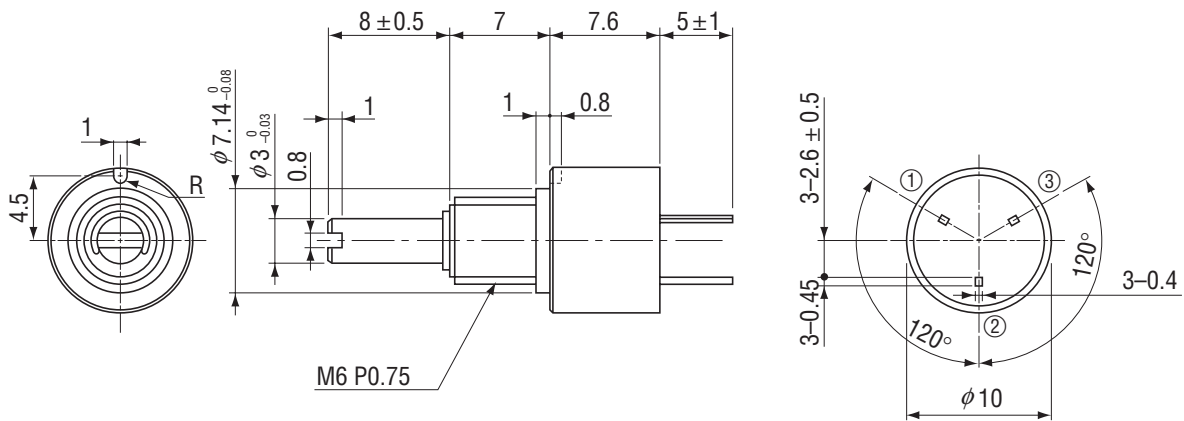
Mechanical angle		360° continuous
Rotational torque	mN·m {gf·cm} maximum	1.96 {20}
Rotational life (cycles)		5 million
Strength of tighten screw	N·cm {kgf·cm}	49 {5} maximum

#### Environmental characteristics

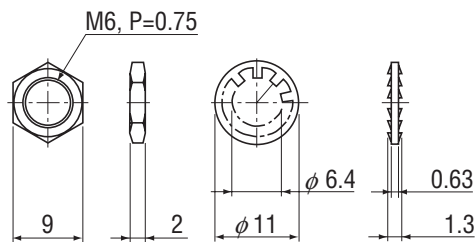
Operating temp. range	°C	-30 ~ 85
Net weight	g	Approx. 3
Protection grade		IP40

### OUTLINE DIMENSIONS

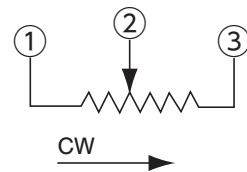
(Unit : mm)



<Accessories>



<Wiring diagram>



## X-ON Electronics

Largest Supplier of Electrical and Electronic Components

*Click to view similar products for [Potentiometers](#) category:*

*Click to view products by [Nidec Copal](#) manufacturer:*

Other Similar products are found below :

[58C2-2](#) [590SX1N32F103SS](#) [591SXP56S252SC](#) [D31409](#) [70B1G048K502X-A](#) [70B1M032S502W](#) [70B1N056S202W](#) [70B8N056F502W](#)  
[70J8N048S104U](#) [70L1N040P103W](#) [70L1N048P103X](#) [70L1N048S103W](#) [GA2L040S102UC](#) [GA2L040S103UC](#) [GS1G044P103UA](#)  
[GS1N048P103UA](#) [GS1T032S103UA](#) [A43-1500](#) [A43-20K](#) [A47-200K](#) [A4720K](#) [132-2-0-202](#) [132-0-0-202](#) [RK14K1220-F25-C0-A103](#)  
[RK14K1220F25C0C104](#) [RK14K1220-F25-C1-B103](#) [14910FAGJSX10102KA](#) [14910FBGLFY00103KA](#) [14910AABHSX10103KA](#)  
[14910FAGJSX10104KA](#) [152-01031](#) [C0342008 5K](#) [J97589](#) [23M728](#) [248BBHS0XB25104MA](#) [248BBHS0XB25503MA](#)  
[249FGJS0XB25503KA](#) [RV170F-10-15R1-B500K-0021](#) [917523A](#) [A43-40](#) [A43-750](#) [A43S-5](#) [A47-15K](#) [A47-1K](#) [A4750K](#) [SPPG048S103U](#)  
[SPPG056P103U](#) [SWE-10](#) [GA2G040F103BA](#) [249FGJS0XB25102KA](#)