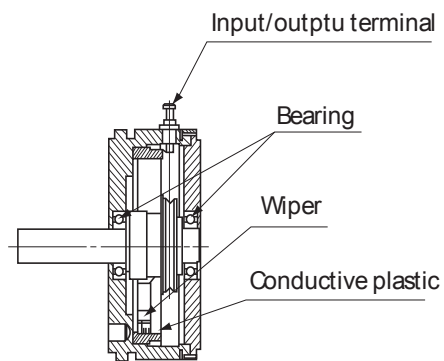


CONDUCTIVE PLASTIC SINGLE TURN TYPE **JC**

RoHS compliant



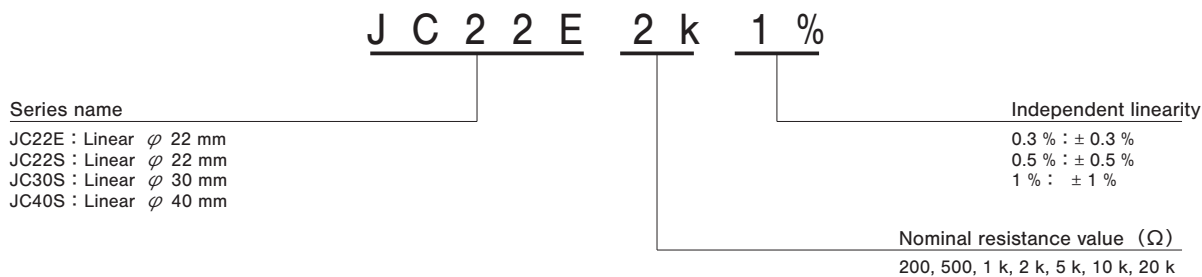
Basic construction Conductive plastic single turn type



FEATURES

- Compact
- Cost effective (JC22E) in house comparison
- Long life
- High following characteristics
- High resolution (Essentially infinite)
- RoHS compliant

PART NUMBER DESIGNATION



LIST OF PART NUMBERS

Size	Item	Nominal resistance value	Independent linearity	Part number	
ϕ 22 mm		1 k Ω	± 1 %	JC22E 1 k 1 %	
		2 k Ω		JC22E 2 k 1 %	
		5 k Ω		JC22E 5 k 1 %	
		10 k Ω		JC22E 10 k 1 %	
			200 Ω	± 0.5 %	⊕ JC22S 200 0.5 %
			500 Ω		⊕ JC22S 500 0.5 %
			1 k Ω		JC22S 1 k 0.5 %
			2 k Ω		JC22S 2 k 0.5 %
			5 k Ω		JC22S 5 k 0.5 %
			10 k Ω		JC22S 10 k 0.5 %

Size	Item	Nominal resistance value	Independent linearity	Part number
ϕ 30 mm		500 Ω	± 0.5 %	JC30S 500 0.5 %
		1 k Ω		JC30S 1 k 0.5 %
		2 k Ω		JC30S 2 k 0.5 %
		5 k Ω		JC30S 5 k 0.5 %
		10 k Ω		JC30S 10 k 0.5 %
		20 k Ω		JC30S 20 k 0.5 %
ϕ 40 mm		500 Ω	± 0.3 %	JC40S 500 0.3 %
		1 k Ω		JC40S 1 k 0.3 %
		2 k Ω		JC40S 2 k 0.3 %
		5 k Ω		JC40S 5 k 0.3 %
		10 k Ω		JC40S 10 k 0.3 %
		20 k Ω		JC40S 20 k 0.3 %

※ Verify the above part numbers when placing orders.

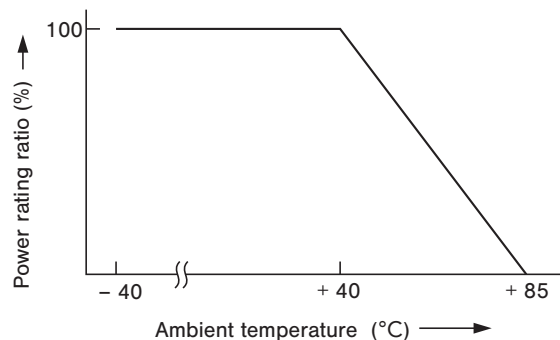
The products indicated by ⊕ mark are manufactured upon receipt of order basis.

JC POTENTIOMETERS

STANDARD SPECIFICATIONS

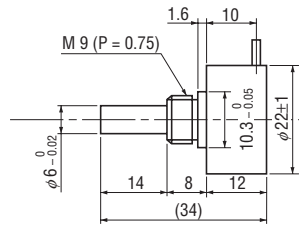
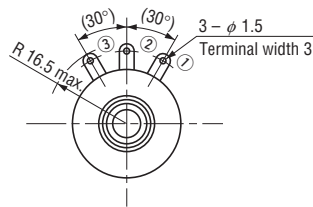
Output		Single turn			
Item	Part number	JC22E	JC22S	JC30S	JC40S
Nominal resistance value		Refer to LIST OF PART NUMBERS			
Resistance tolerance	%	± 20	± 15		
Resolution		Essentially infinite			
Independent linearity	%	± 1	± 0.5		± 0.3
Effective electrical angle		320° ± 5°	340° ± 5°	343° ± 5°	345° ± 5°
Mechanical angle		360° continuous			
Power rating (at 40 °C)	W	0.5		0.7	1.5
Dielectric strength	Vrms	1000 1 min			
Insulation resistance	MΩ minimum	1000 (at DC500 V)			
Rotational torque	mN·m {gf·cm} maximum	4.9 {50}	0.98 {10}	1.18 {12}	1.47 {15}
Strength of tighten screw	N·m {kgf·cm} maximum	0.98 {10}	—		
Temp. coefficient of resistance	ppm/°C	± 400			
Operating temp. range	°C	-40 ~ 85			
Maximum rotational speed	min ⁻¹	100	300		
Rotational life (cycles)		10 million	20 million	30 million	
Output smoothness		0.1 % maximum			
Net weight	g	Approx. 15	Approx. 17	Approx. 24	Approx. 56
Protection grade		IP40			

RATED POWER DERATING CURVE



OUTLINE DIMENSIONS

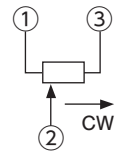
JC22E



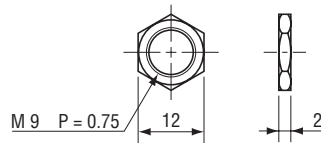
(Unit : mm)

JC22E, JC22S
JC30S, JC40S

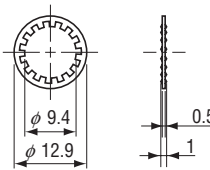
Wiring diagram



(JC22E Accessories)

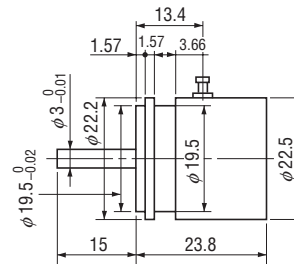
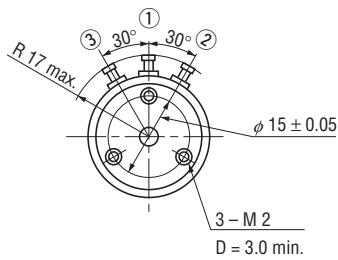


1. Nut

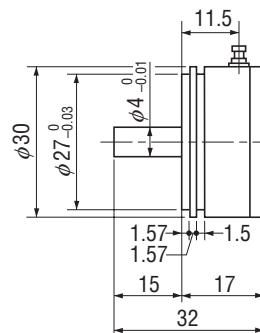
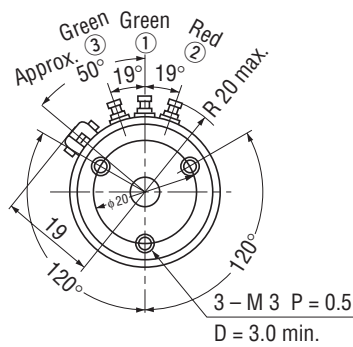


2. Washer

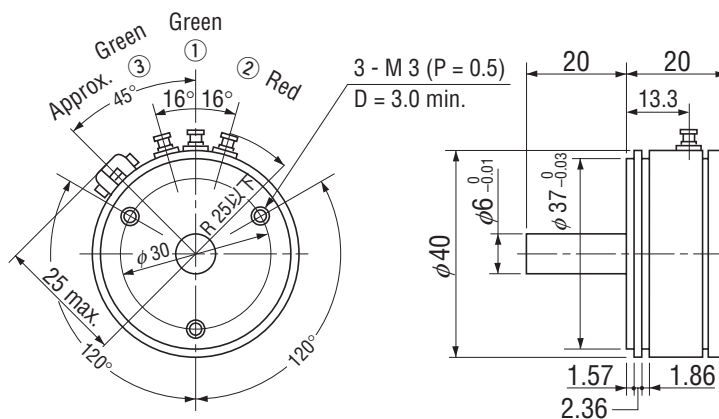
JC22S



JC30S



JC40S



X-ON Electronics

Largest Supplier of Electrical and Electronic Components

Click to view similar products for [Precision Potentiometers](#) category:

Click to view products by [Nidec Copal](#) manufacturer:

Other Similar products are found below :

[578002M9648](#) [70J1G032S202A](#) [176FL1-284](#) [F78SB102-M257](#) [3548H-1AA-103B](#) [485025M9267](#) [MH12B-10L-10K](#) [578005M9656](#)
[72N4N048S203W](#) [RO200SF1C103](#) [114BF2A102-L774](#) [200FL1-199](#) [78FL1-397](#) [78MKV-128](#) [501-0004](#) [501-0018](#) [SE15303-352-T4](#)
[284TCBF103A26A1](#) [RO34SF1B502](#) [200FL1-260](#) [4205R10KL.5](#) [3548H-1AB-502A](#) [157-0237](#) [1521R10KL.3](#) [284TBBK103A26B1](#) [SP22G-](#)
[500](#) [DC22-10-100](#) [RCL-100](#) [RCL-200](#) [3590P-4-503L](#) [380C2750K](#) [3548H-1AA-102B](#) [380C2500K](#) [3590P-1-103L](#) [3547S-1AA-202A](#)
[3540S-91-502L](#) [3543S-1-202L](#) [3543S-1-102L](#) [3543S-1-502L](#) [3545S-1-103L](#) [3549S-2AA-102/102A](#) [P3265](#) [P3270](#) [P3275](#) [P3280](#) [P3285](#)
[P3290](#) [6637S-1-102](#) [RV6NAYSD101AP](#) [SP22E-3011-10K](#)