

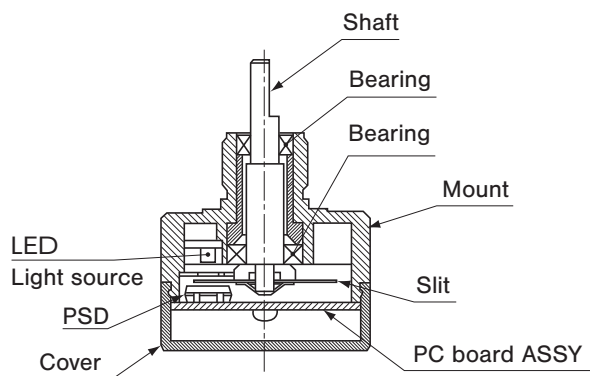
# OPTICAL CONTACTLESS TYPE

# JT22

RoHS compliant



## Basic construction

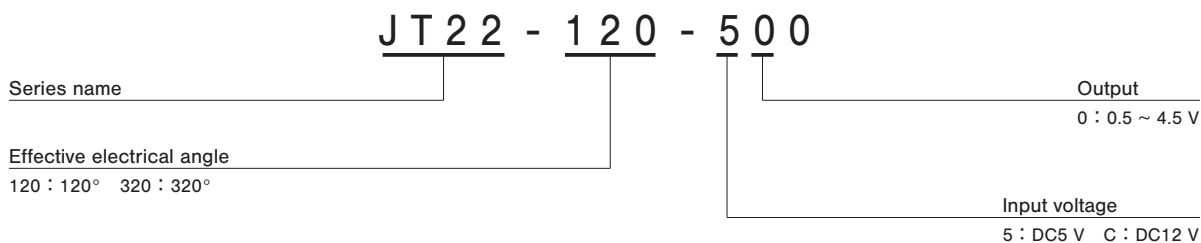


## FEATURES

- Contactless configuration offers much longer life
- Low torque 0.147 mN·m {1.5 gf·cm} maximum
- Superior temperature characteristic due to temperature compensation circuit incorporated
- Wide effective electrical angle (120° • 320°)
- RoHS compliant

## Optical contactless single turn type

## PART NUMBER DESIGNATION



## LIST OF PART NUMBERS

Effective electrical angle	Input voltage	Part number
120°	DC5 V	JT22-120-500
	DC12 V	JT22-120-C00
320°	DC5 V	JT22-320-500
	DC12 V	JT22-320-C00

※ Verify the above part numbers when placing orders.

# JT22

## POTENTIOMETERS

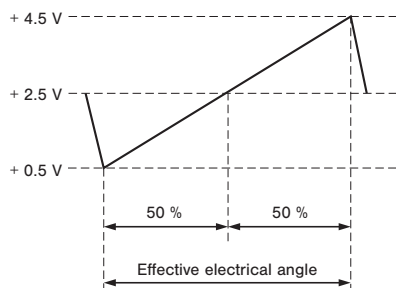
### STANDARD SPECIFICATIONS

#### Electrical characteristics

Input voltage	DC5 V $\pm$ 0.25 V	DC12 V $\pm$ 0.6 V		
Dissipation	40 mA maximum			
Effective electrical angle	120°	320°	120°	320°
Output voltage	+0.5 ~ +4.5 V			
Absolute linearity ※ 1	$\pm$ 3.0 %			
Temperature sensitivity	$\pm$ 3.0 %FS ( $\pm$ 2.0 %FS/-30 ~ 70 °C)			
Temperature medium drift	$\pm$ 40 mV			
Insulation resistance	100 M $\Omega$ (at DC500 V) minimum			
Dielectric strength	AC500 V (1 min)			

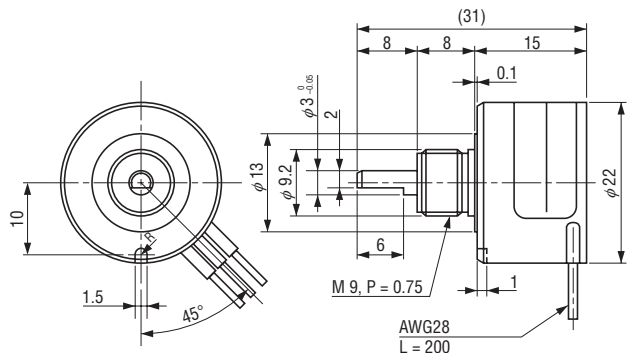
※ 1 At normal temp.

#### OUTPUT

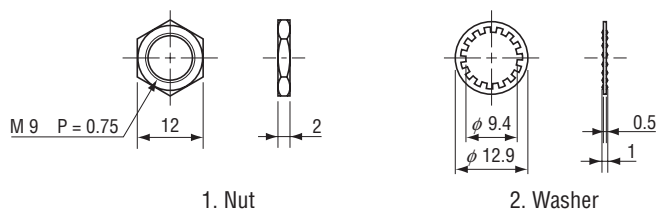


※ The output increases with CW shaft rotation.

#### OUTLINE DIMENSIONS



#### (Accessories)



(Unit: mm)

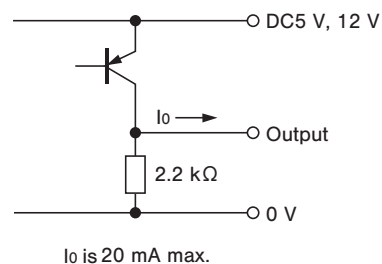
#### Mechanical characteristics

Starting torque	0.147 mN·m {1.5 gf·cm} maximum (at normal temp.)
Maximum rotational speed	1500 min <sup>-1</sup>
Mechanical angle	360° continuous
Rotational life	1 × 10 <sup>8</sup> revolution
Vibration	147 m/s <sup>2</sup> {15 G} 30 ~ 200 Hz, 30 h
Shock	294.2 m/s <sup>2</sup> {30 G} minimum
Strength of tighten screw	0.49 N·m {5 kgf·cm} maximum

#### Environmental characteristics

Operating temp. range	-30 ~ 80 °C
Storage temp. range	-30 ~ 85 °C
Humidity	Relative humidity 95 % maximum
Net weight	Approx. 12g
Protection grade	IP40

#### OUTPUT CIRCUITRY



I<sub>o</sub> is 20 mA max.

#### ELECTRICAL WIRING

Red	Power ⊕
Black	Power 0 (V)
White	Output

## X-ON Electronics

Largest Supplier of Electrical and Electronic Components

*Click to view similar products for [Precision Potentiometers](#) category:*

*Click to view products by [Nidec Copal](#) manufacturer:*

Other Similar products are found below :

[578002M9648](#) [70J1G032S202A](#) [176FL1-284](#) [F78SB102-M257](#) [3548H-1AA-103B](#) [485025M9267](#) [MH12B-10L-10K](#) [578005M9656](#)  
[72N4N048S203W](#) [RO200SF1C103](#) [114BF2A102-L774](#) [200FL1-199](#) [78FL1-397](#) [78MKV-128](#) [501-0004](#) [501-0018](#) [SE15303-352-T4](#)  
[284TCBF103A26A1](#) [RO34SF1B502](#) [200FL1-260](#) [4205R10KL.5](#) [3548H-1AB-502A](#) [157-0237](#) [1521R10KL.3](#) [284TBBK103A26B1](#) [SP22G-](#)  
[500](#) [DC22-10-100](#) [JC22S 1K 0.5%](#) [RCL-100](#) [RCL-200](#) [3590P-4-503L](#) [380C2750K](#) [3548H-1AA-102B](#) [380C2500K](#) [3590P-1-103L](#) [3547S-](#)  
[1AA-202A](#) [534B1250JC](#) [3540S-91-502L](#) [3543S-1-202L](#) [3543S-1-102L](#) [3543S-1-502L](#) [3545S-1-103L](#) [3549S-2AA-102/102A](#) [P3265](#) [P3270](#)  
[P3275](#) [P3280](#) [P3285](#) [P3290](#) [6637S-1-102](#)