

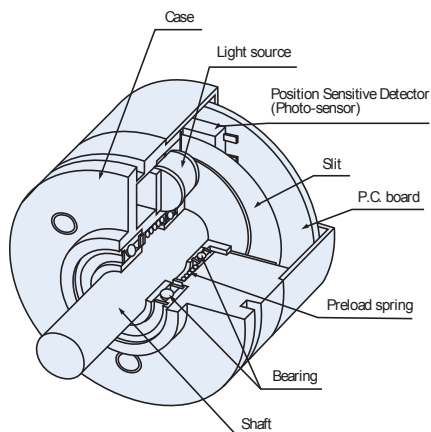
OPTICAL CONTACTLESS TYPE

JT30

RoHS compliant



Basic construction

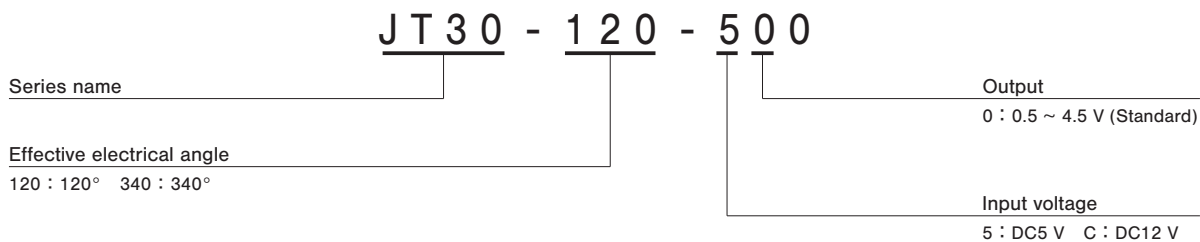


FEATURES

- Contactless configuration offers much longer life
- Low torque 0.245 mN·m {2.5 gf·cm} maximum
- Superior temperature characteristic due to temperature compensation circuit incorporated
- RoHS compliant

Optical contactless single turn type

PART NUMBER DESIGNATION



LIST OF PART NUMBERS

| Effective electrical angle | Input voltage | Part number |
|----------------------------|---------------|--------------|
| 120° | DC5 V | JT30-120-500 |
| | DC12 V | JT30-120-C00 |
| 340° | DC5 V | JT30-340-500 |
| | DC12 V | JT30-340-C00 |

※ Verify the above part numbers when placing orders.

JT30

POTENTIOMETERS

STANDARD SPECIFICATIONS

Electrical characteristics

| | | | | |
|----------------------------|--|--------------------|---------------|---------------|
| Input voltage | DC5 V \pm 0.25 V | DC12 V \pm 0.6 V | | |
| Dissipation | 40 mA maximum | | | |
| Effective electrical angle | 120° | 340° | 120° | 340° |
| Output voltage | +0.5 ~ +4.5 V | | | |
| Absolute linearity ※ 1 | \pm 1.5 %FS | \pm 2.0 %FS | \pm 1.5 %FS | \pm 2.0 %FS |
| Temperature sensitivity | \pm 2.0 %FS (\pm 1.0 %FS/0 ~ 50 °C) | | | |
| Temperature medium drift | \pm 40 mV (\pm 30 mV/0 ~ 50 °C) | | | |
| Insulation resistance | 100 M Ω (at DC500 V) minimum | | | |
| Dielectric strength | AC500 V (1 min) | | | |

※ 1 At normal temp.

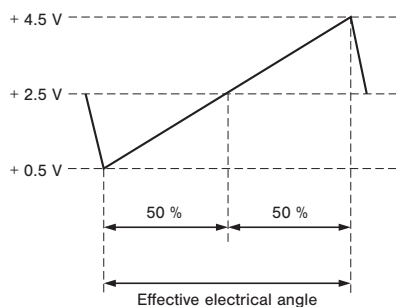
Mechanical characteristics

| | |
|--------------------------|--|
| Starting torque | 0.245 mN·m {2.5 gf·cm} maximum (at normal temp.) |
| Maximum rotational speed | 1500 min ⁻¹ |
| Mechanical angle | 360° continuous |
| Rotational life | 2 \times 10 ⁸ revolution |
| Vibration | 294.2 m/s ² {30 G} 30 ~ 200 Hz, 30 h |
| Shock | 294.2 m/s ² {30 G} minimum |

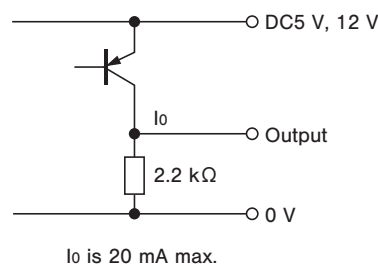
Environmental characteristics

| | |
|-----------------------|--------------------------------|
| Operating temp. range | -30 ~ 80 °C |
| Storage temp. range | -40 ~ 100 °C |
| Humidity | Relative humidity 95 % maximum |
| Net weight | Approx. 40 g |
| Protection grade | IP40 |

OUTPUT (cw)

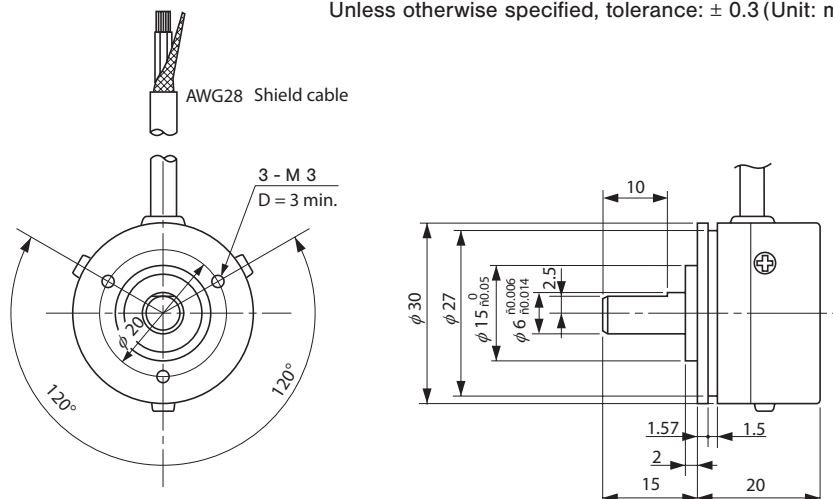


OUTPUT CIRCUITRY



OUTLINE DIMENSIONS

Unless otherwise specified, tolerance: \pm 0.3 (Unit: mm)



Cable length = 600 \pm 20 minimum

ELECTRICAL WIRING

| | |
|--------------|----------------|
| Red | Power \oplus |
| Blue | Power 0 (V) |
| White | Output |
| Green | Case ground |
| Cable shield | NC |

X-ON Electronics

Largest Supplier of Electrical and Electronic Components

Click to view similar products for [Precision Potentiometers](#) category:

Click to view products by [Nidec Copal](#) manufacturer:

Other Similar products are found below :

[578002M9648](#) [70J1G032S202A](#) [176FL1-284](#) [F78SB102-M257](#) [3548H-1AA-103B](#) [485025M9267](#) [MH12B-10L-10K](#) [578005M9656](#)
[72N4N048S203W](#) [RO200SF1C103](#) [114BF2A102-L774](#) [200FL1-199](#) [78FL1-397](#) [78MKV-128](#) [501-0004](#) [501-0018](#) [SE15303-352-T4](#)
[284TCBF103A26A1](#) [RO34SF1B502](#) [200FL1-260](#) [4205R10KL.5](#) [3548H-1AB-502A](#) [157-0237](#) [1521R10KL.3](#) [284TBBK103A26B1](#) [SP22G-](#)
[500](#) [DC22-10-100](#) [JC22S 1K 0.5%](#) [RCL-100](#) [RCL-200](#) [3590P-4-503L](#) [380C2750K](#) [3548H-1AA-102B](#) [380C2500K](#) [3590P-1-103L](#) [3547S-](#)
[1AA-202A](#) [534B1250JC](#) [3540S-91-502L](#) [3543S-1-202L](#) [3543S-1-102L](#) [3543S-1-502L](#) [3545S-1-103L](#) [3549S-2AA-102/102A](#) [P3265](#) [P3270](#)
[P3275](#) [P3280](#) [P3285](#) [P3290](#) [6637S-1-102](#)