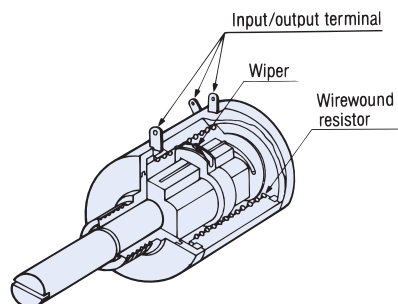


# WIREWOUND MULTITURN TYPE **M22L10** series

RoHS compliant



Basic construction  
Wirewound multiturn type



## FEATURES

- Fine setting is possible
- Long life
- RoHS compliant

## PART NUMBER DESIGNATION

M22L10 - 000 - 102

Series name

Nominal resistance value ( $\Omega$ )

000-102 : 1 k  
 000-202 : 2 k  
 000-502 : 5 k  
 100-103 : 10 k  
 100-203 : 20 k

## LIST OF PART NUMBERS

Nominal resistance value ( $\Omega$ )	Part number
1 k	M22L10-000-102
2 k	M22L10-000-202
5 k	M22L10-000-502
10 k	M22L10-100-103
20 k	M22L10-100-203

# M22L10 series

## POTENTIOMETERS

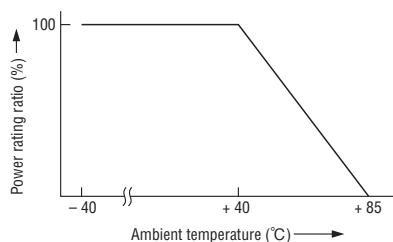
### STANDARD SPECIFICATIONS

Item	Part number	M22L10 series
Resistance tolerance	%	± 5
Independent linearity	%	± 0.2
End resistance, maximum		5 Ω
Effective electrical angle		3600°
Mechanical angle		3600° $^{+10°}_0$
Power rating	W	2
Dielectric strength	Vrms	1000 1 min
Insulation resistance	MΩ minimum	1000 (at DC 500 V)
Rotational torque	mN·m (gf·cm) maximum	9.81 {100}
Strength of tighten screw	N·m (kgf·cm) maximum	0.98 {10}
Stop strength	N·m (kgf·cm) maximum	0.196 {2}
Peak noise	Ω maximum	50 (at 4 min <sup>-1</sup> )
Temp. coefficient of resistance	ppm/°C	± 50
Operating temp. range	°C	-40 ~ 85
Rotational life		5 million turns (At the reciprocation of ten rotations)
Net weight	g	Approx. 19
Protection grade		IP40

### NOMINAL RESISTANCE · RESOLUTION · RATED VOLTAGE · RATED CURRENT

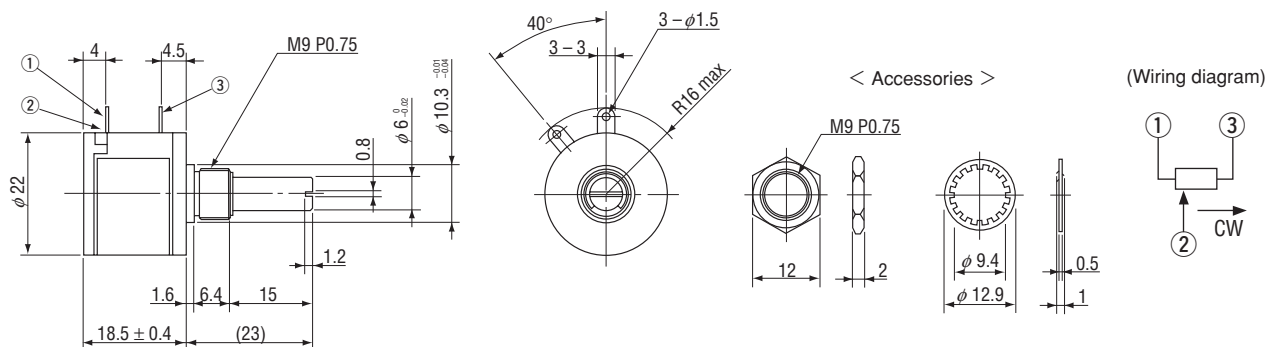
Nominal resistance value (Ω)	Resolution (%)	Rated voltage (V)	Rated current (mA)
	M22L10 series	M22L10 series	M22L10 series
1 k	0.025	44.7	44.7
2 k	0.020	63.2	31.6
5 k	0.014	100.0	20.0
10k	0.018	141.1	14.1
20 k	0.014	200.0	10.0

### RATED POWER DERATING CURVE



### OUTLINE DIMENSIONS

(Unit: mm)



## X-ON Electronics

Largest Supplier of Electrical and Electronic Components

*Click to view similar products for [Precision Potentiometers](#) category:*

*Click to view products by [Nidec Copal](#) manufacturer:*

Other Similar products are found below :

[578002M9648](#) [70J1G032S202A](#) [176FL1-284](#) [F78SB102-M257](#) [3548H-1AA-103B](#) [485025M9267](#) [MH12B-10L-10K](#) [578005M9656](#)  
[72N4N048S203W](#) [RO200SF1C103](#) [114BF2A102-L774](#) [200FL1-199](#) [78FL1-397](#) [78MKV-128](#) [501-0004](#) [501-0018](#) [SE15303-352-T4](#)  
[284TCBF103A26A1](#) [RO34SF1B502](#) [200FL1-260](#) [3548H-1AB-502A](#) [157-0237](#) [284TBBK103A26B1](#) [DC22-10-100](#) [JC22S 1K 0.5%](#)  
[MW22B-2200-500](#) [122S1501](#) [RCL-100](#) [RCL-200](#) [3590P-4-503L](#) [380C2750K](#) [157S202MB9002](#) [157S102MB9002](#) [15A31B10](#) [380C2500K](#)  
[SP22E-100K](#) [AR300KL.25](#) [AR2KL.25](#) [AR1KL.25](#) [AR500KL.25](#) [MC6CX1A502X001](#) [7286R100L.25](#) [7286R20KL.25](#) [73JB100<](#) [6638S-1-](#)  
[103](#) [282TCBS103A25B1](#) [3590P-1-103L](#) [7276R2KL.25](#) [3500S-2-500L](#) [SP22D-1K](#)