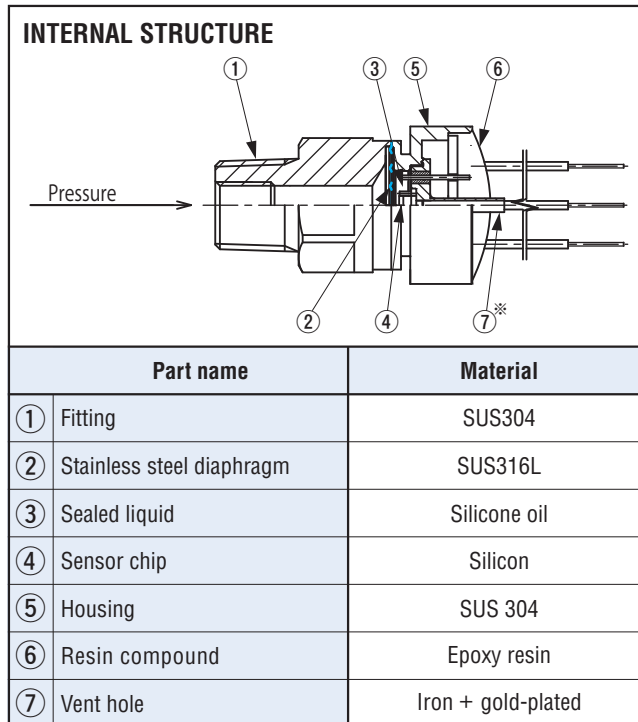


# Ultra-miniature pressure sensors **P-7100**



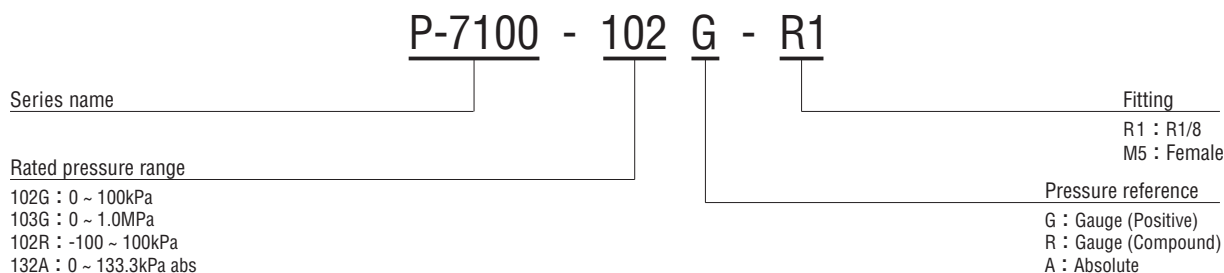
## FEATURES

- Suitable for installing inside the narrow space of the equipment thanks to its small size and light weight outline dimensions  $\phi 17 \times 18.7\text{mm}$ , Net weight: Approx 19 g (M5 type)
- High reliability (SUS316L diaphragm, oil-filled) by using double diaphragm structure
- Supply voltage and analog output is  $5 \pm 0.5\text{V}$  and the 0.5 ~ 4.5V (ratiometric output)
- High accuracy by using a digital compensation circuit employing the COB (chip on board) mounting
- Variety pressure range: 0 ~ 100kPa, -100 ~ 100kPa, 0 ~ 1MPa, 0 ~ 133.3kPa abs



※⑦ is applicable to gauge type only.

## MODEL NUMBER DESIGNATION



## LIST OF MODEL NUMBERS

Fitting	Rated pressure range			
	102G	102R	103G	132A
R1/8	P-7100-102G-R1	P-7100-102R-R1	P-7100-103G-R1	P-7100-132A-R1
M5	P-7100-102G-M5	P-7100-102R-M5	P-7100-103G-M5	P-7100-132A-M5

※ Verify the above model numbers when placing orders.

# P-7100

## PRESSURE TRANSDUCERS

### STANDARD SPECIFICATIONS

Item		Model number	P-7100				
			102G	103G	102R	132A	
General specifications	Pressure reference		Gauge			Absolute	
	Rated pressure range		0 ~ 100kPa	0 ~ 1.0MPa	-100 ~ 100kPa	0 ~ 133.3kPa abs	
	Maximum pressure		200kPa	2.0MPa	200kPa	200kPa abs	
	Break-down pressure		300kPa	3.0MPa	300kPa	300kPa abs	
	Operating temp. range	°C	- 20 ~ 70				
	Compensated temp. range	°C	0 ~ 50				
	Operating humidity range	%RH	35 ~ 85 (No condensation)				
	Storage temp. range	°C	- 20 ~ 80 (Atmospheric pressure, humidity 65 %RH maximum)				
	Media		Corrosive gases/liquids compatible with SUS316L and SUS304				
	Insulation resistance	MΩ minimum	100 (500V DC)				
	Dielectric strength		500V AC 60 s (Leakage current 1mA maximum)				
	Sealed liquid		Silicone oil				
	Pressure port		R1/8, M5 (SUS304)				
	Net weight	g	R1 : Approx.22, M5 : Approx.19				
Voltage	Operating voltage	V DC	5±0.5				
	Current consumption	mA Maximum	3				
Analog output	Output voltage ※	V	0.5 ~ 4.5				
	Output limit		16.5mV ~ 95% Vopr				
	Zero voltage ※	V	0.5±0.04		2.5±0.04	0.5±0.1	
	Span voltage ※	V	4.0±0.04			4.0±0.1	
	Output current	mA Maximum	1 (Load resistance 5kΩ minimum)				
	Linearity / Hysteresis	%F.S.	±0.5				
	Thermal error (Reference temp.25°C)	Zero	%F.S./°C	±0.05			±0.06
		Span	%F.S./°C	±0.05			±0.06
	Response time	ms	Approx.2				
Gravitational (From horizontal position to vertical position)	%F.S.	±0.3	±0.05	±0.3	±0.3		

※ Output voltage is proportional to the operating voltage.(ratiometric output) The resolving power of the analog output is 11 Bits (about 0.002V/0.05%F.S).

### ENVIRONMENTAL CHARACTERISTICS

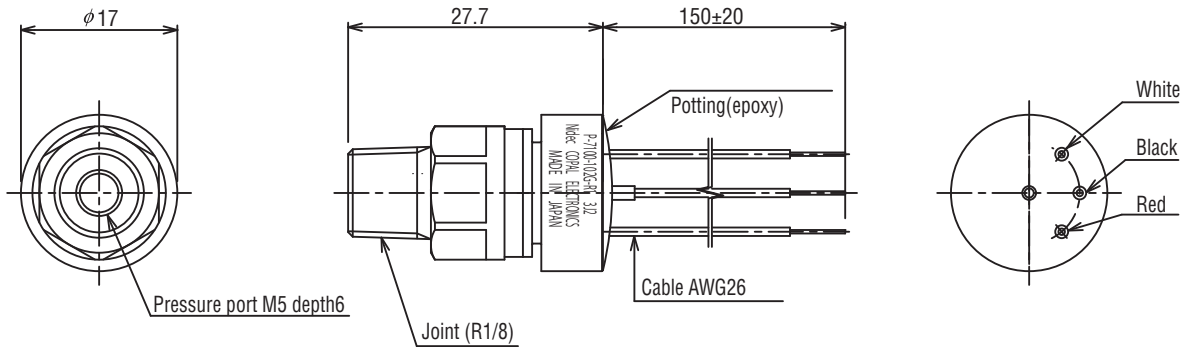
Test item	Test conditions	Permissible change
Vibration	10 ~ 500 Hz, 1.5 mm maximum/98.1 m/s <sup>2</sup> , 3 directions for 2 hours each	Analog output (Vzero, Vspan) ± 1 %F.S. maximum each after test
Shock	490 m/s <sup>2</sup> , 3 directions for 3 times each	
Pressure cycling	10 <sup>6</sup> cycles 0 ~ Rated pressure	
Moisture resistance	40 °C, 90 ~ 95 %RH, 240 hrs.	

# P-7100 PRESSURE TRANSDUCERS

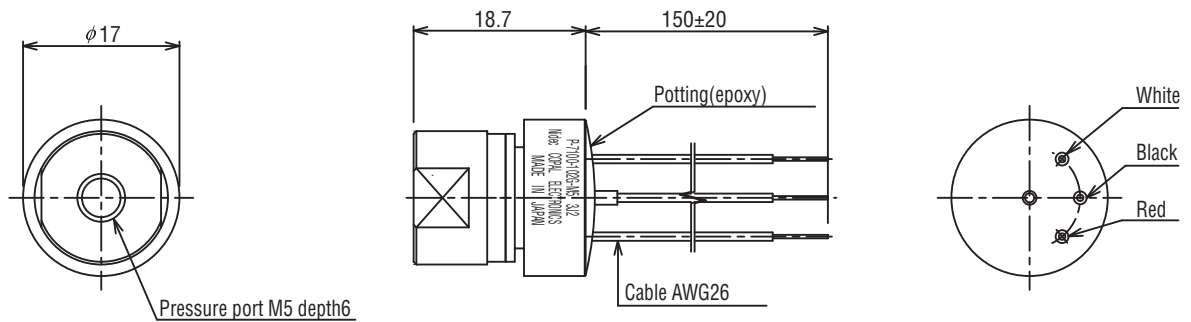
## OUTLINE DIMENSIONS

Unless otherwise specified, tolerance :  $\pm 0.5$  (Unit: mm)

### ● P-7100-102G-R1



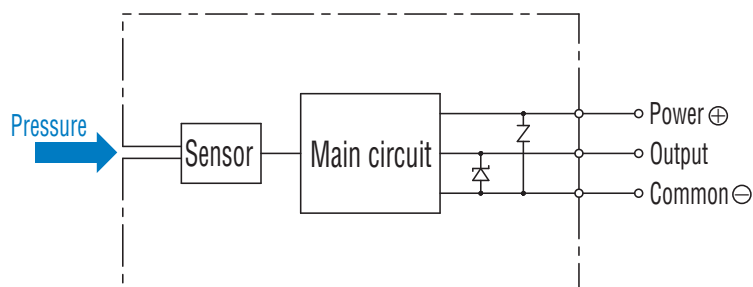
### ● P-7100-102G-M5



※ Product with 1.5m cable is also available as customized product.

Wire color	Connection
Red	Power ⊕
White	Output
Black	Common ⊖

## INTERNAL ELECTRICAL SCHEMATICS



## X-ON Electronics

Largest Supplier of Electrical and Electronic Components

*Click to view similar products for [Industrial Pressure Sensors](#) category:*

*Click to view products by [Nidec Copal](#) manufacturer:*

Other Similar products are found below :

[75380-05](#) [76053-00000300-01](#) [76053-00000300-05](#) [76061-00000015-01](#) [76062-B00000350-01](#) [76063-00000350-05](#) [76083-05000500-01](#)  
[76311-05](#) [76577-00000070-01](#) [76584-M00000100-24](#) [77343-24.0H2-01](#) [77343-25.0H2-01](#) [78291-B00000060-01](#) [78303-B00000400-01](#)  
[78303-B00000400-05](#) [78316-B00000030-01](#) [78353-B00000020-05](#) [78665-00000014-05](#) [78677-B00000070-05](#) [78678-00000040-01](#) [79279-](#)  
[00000060-01](#) [79296-B00000350-01](#) [79322-00250035-01](#) [79614-30.0H2-14](#) [79670-00000090-15](#) [79700-00002750-01](#) [79917-B00000280-01](#)  
[80569-00700100-01](#) [81509081](#) [81739-B00000900-01](#) [81807-B00000020-01](#) [MLH010BST01A](#) [MLH010BST14A](#) [MLH025BGC13B](#)  
[MLH025BSCDJ1292](#) [MLH025BSCDJ1303](#) [MLH750PSCDJ1245](#) [82903-B00000020-01](#) [83250-02500600-05](#) [83271-00000040-04](#) [83278-](#)  
[B00000200-21](#) [83286-00000150-01](#) [83299-00000150-05](#) [83303-00000600-01](#) [83305-00001350-01](#) [83330-00000100-01](#) [83349-00001470-24](#)  
[83350-04.0HG-05](#) [83350-15.0H2-05](#) [83357-00000030-21](#)