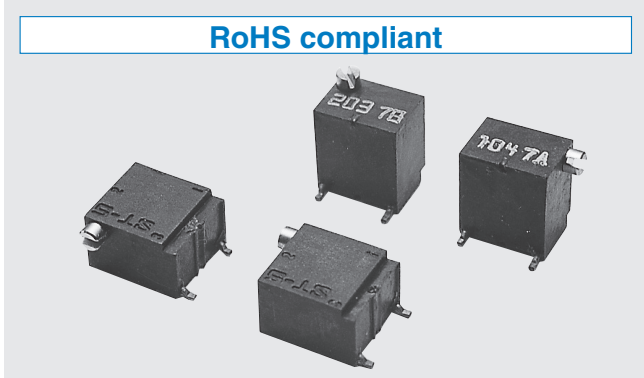


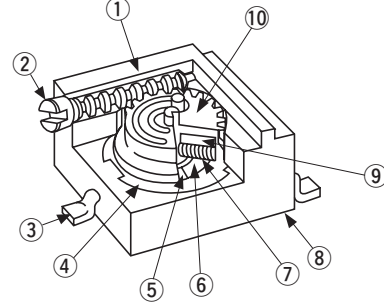
**RoHS compliant**



**FEATURES**

- RoHS compliant
- Precise adjustment is possible
- Automatic mounting is possible (Taping)
- Flow/reflow soldering is possible
- Sealed construction (Washable: Refer to page 698.)

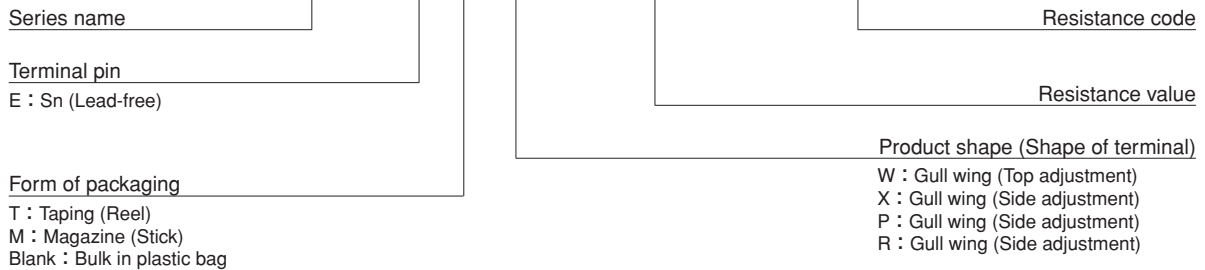
**INTERNAL STRUCTURE**



	Part name	Material	Flammability	
①	Housing	Polyphenylenesulphide	UL94V-0	
②	Shaft	Brass, Nickel-plated	—	
③	Terminal pin	Copper, Tin-plated		
④	Base element	Ceramic		
⑤	Electrode	Ag-Pd cermet		
⑥	Resistive element	RuO <sub>2</sub> cermet		
⑦	Wiper	Multi metal alloy		
⑧	Adhesive	Epoxy		
⑨	Rubber cushion	Silicone rubber		
⑩	Rotor gear	Polyamide		UL94HB

**PART NUMBER DESIGNATION**

**S T - 5 E T W 5 0 0 Ω ( 5 0 1 )**



※ Please refer to the LIST OF PART NUMBERS when placing orders.

# ST-5

## SURFACE MOUNT TRIMMERS

### LIST OF PART NUMBERS

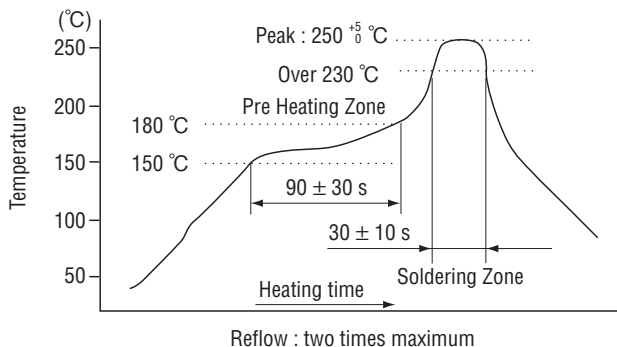
Adjustment position	Shape of terminal	Form of packaging		
		Taping (reel)	Magazine (stick)	Plastic bag
Top adjustment	W (Gull wing)	ST-5ETW	ST-5EMW	ST-5EW
Side adjustment	X (Gull wing)	ST-5ETX	ST-5EMX	ST-5EX
	P (Gull wing)	ST-5ETP	ST-5EMP	ST-5EP
	R (Gull wing)	ST-5ETR	ST-5EMR	ST-5ER
Pieces in package		500 pcs./reel	50 pcs./stick	50 pcs./pack

The products indicated by ↗ mark are manufactured upon receipt of order basis.

### ELECTRICAL CHARACTERISTICS

Nominal resistance range	10 Ω ~ 2 M Ω
Resistance tolerance	± 10 %
Power ratings	0.25 W (85 °C) 0 W (120 °C)
Resistance law	(B) Linear law
Maximum input voltage	DC200 V or power rating, whichever is smaller
Maximum wiper current	100 mA or power rating, whichever is smaller
Effective electrical turn	11 turns
End resistance	1 % or 2 Ω , whichever is greater
C.R.V.	1 % or 3 Ω , whichever is greater
Operating temp. range	- 55 ~ 120 °C
Temp. coefficient	10 Ω ~ 50 Ω : ± 250 10 <sup>-6</sup> /°C maximum 100 Ω ~ 2 M Ω : ± 100 10 <sup>-6</sup> /°C maximum
Insulation resistance	1000 M Ω minimum (DC500 V)
Dielectric strength	AC600 V, 60 s
Net weight	Approx. 0.35 g

### <Reflow profile for soldering heat evaluation>



### <Nominal resistance values>

↗10 Ω	↗20 Ω	50 Ω	100 Ω	200 Ω	500 Ω	1 k Ω	2 k Ω	5 k Ω
10 k Ω	20 k Ω	50 k Ω	100 k Ω	200 k Ω	500 k Ω	1 M Ω	2 M Ω	

Fig. 1

※ The above part numbers are all available with the respective combination of <Nominal resistance values> (Fig. 1).

※ Verify the above part numbers when placing orders.

※ Taping and magazine specifications are not sold separately and must be purchased in reel or stick units.

### MECHANICAL CHARACTERISTICS

Mechanical turn	14 turns
Operating torque	20 mN·m {204 gf·cm} maximum
Mechanical stop	Clutch action
Rotational life	200 cycles 10 Ω ~ 200 Ω [ Δ R/R ≤ ± (0.5 Ω + 3 %)] 500 Ω ~ 2 M Ω [ Δ R/R ≤ ± (0.5 Ω + 2 %)]
Thrust to shaft	5 N {0.51 kgf} minimum
Solderability	245 ± 3 °C, 2 ~ 3 s
Shear (Adhesion)	5 N {0.51 kgf} 10 s
Substrate bending	Width 90 mm, bend 3 mm, 5 s, 1 time
Pull-off strength	5 N {0.51 kgf} 10 s

{ } : Reference only

### ENVIRONMENTAL CHARACTERISTICS

Test item	Test conditions	Specifications
Thermal shock	- 65 ~ 125 °C (0.5 h), 5 cycles	[ Δ R/R ≤ 1 %] [S.S. ≤ 1 %]
Humidity	- 10 ~ 65 °C (80 ~ 98 %), 10 cycles, 240 h	[ Δ R/R ≤ 1 %]
Shock	981 m/s <sup>2</sup> , 6 ms 6 directions for 3 times each	[ Δ R/R ≤ 1 %] [S.S. ≤ 1 %]
Vibration	(Amplitude) 1.52 mm or (Acceleration) 196 m/s <sup>2</sup> , 10 ~ 2000 Hz, 3 directions, 12 times each	
Load life	85 °C, 0.25 W, 1000 h	[ Δ R/R ≤ 2 %] [S.S. ≤ 1 %]
Low temp. operation	- 55 °C, 2 h	[ Δ R/R ≤ 2 %] [S.S. ≤ 2 %]
High temp. exposure	120 °C, 250 h	[ Δ R/R ≤ 2 %] [S.S. ≤ 2 %]
Immersion seal	85 °C, 60 s	No leaks (No continuous bubbles)
Soldering heat	Flow : 260 ± 3 °C as the temperature in a pot of molten solder, immersion from head of terminal to backside of board, 5 ~ 6 s, two times maximum Reflow : Peak temperature 255 °C (Please refer to the profile below.) Manual soldering : 350 ± 10 °C, 3 ~ 4 s	[ Δ R/R ≤ 1 %]

Δ R/R : Change in total resistance  
S.S. : Setting stability

### MAXIMUM INPUT RATINGS

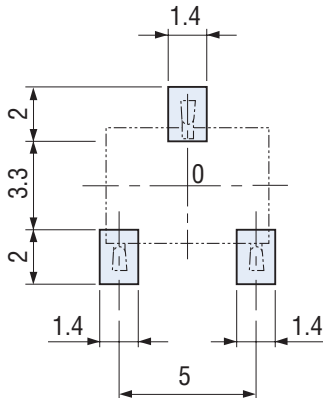
Nominal resistance values ( $\Omega$ )	Resistance code	Maximum input voltage (V)	Maximum wiper current (mA)
<ul style="list-style-type: none"> <li>➔ 10</li> <li>➔ 20</li> <li>50</li> <li>100</li> <li>200</li> <li>500</li> </ul>	<ul style="list-style-type: none"> <li>100</li> <li>200</li> <li>500</li> <li>101</li> <li>201</li> <li>501</li> </ul>	<ul style="list-style-type: none"> <li>1.00</li> <li>2.00</li> <li>3.53</li> <li>5.00</li> <li>7.07</li> <li>11.2</li> </ul>	<ul style="list-style-type: none"> <li>100</li> <li>100</li> <li>70.7</li> <li>50.0</li> <li>35.4</li> <li>22.4</li> </ul>
<ul style="list-style-type: none"> <li>1 k</li> <li>2 k</li> <li>5 k</li> <li>10 k</li> <li>20 k</li> <li>50 k</li> </ul>	<ul style="list-style-type: none"> <li>102</li> <li>202</li> <li>502</li> <li>103</li> <li>203</li> <li>503</li> </ul>	<ul style="list-style-type: none"> <li>15.8</li> <li>22.4</li> <li>35.4</li> <li>50.0</li> <li>70.7</li> <li>112</li> </ul>	<ul style="list-style-type: none"> <li>15.8</li> <li>11.2</li> <li>7.07</li> <li>5.00</li> <li>3.54</li> <li>2.24</li> </ul>
<ul style="list-style-type: none"> <li>100 k</li> <li>200 k</li> <li>500 k</li> <li>1 M</li> <li>2 M</li> </ul>	<ul style="list-style-type: none"> <li>104</li> <li>204</li> <li>504</li> <li>105</li> <li>205</li> </ul>	<ul style="list-style-type: none"> <li>158</li> <li>200</li> <li>200</li> <li>200</li> <li>200</li> </ul>	<ul style="list-style-type: none"> <li>1.58</li> <li>1.00</li> <li>0.40</li> <li>0.20</li> <li>0.10</li> </ul>

The products indicated by ➔ mark are manufactured upon receipt of order basis.

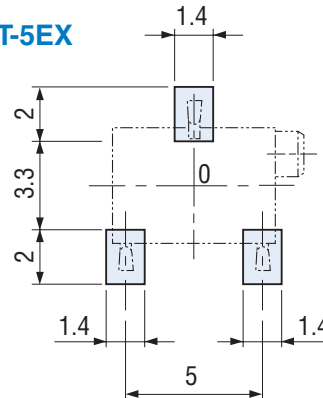
### RECOMMENDED P.C.B. PAD OUTLINE DIMENSIONS

(Unit: mm)

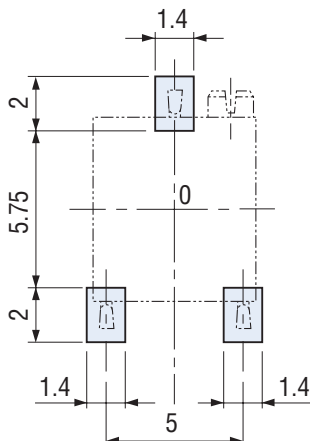
#### ST-5EW



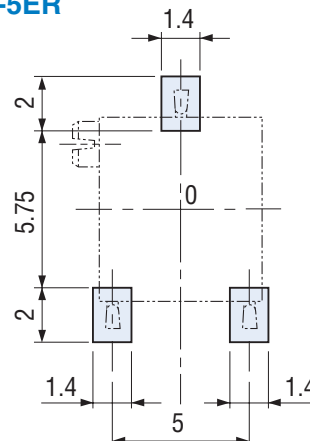
#### ST-5EX



#### ST-5EP



#### ST-5ER



Note) The zero point is the center of mounting.

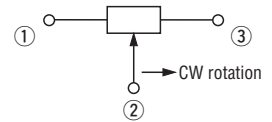
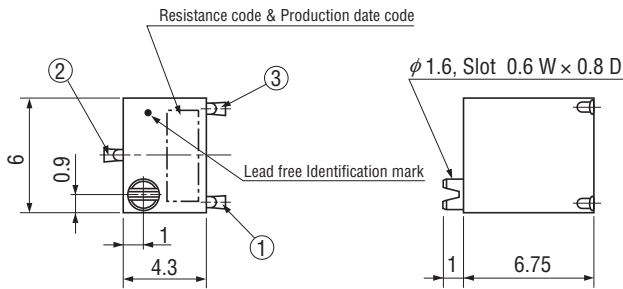
# ST-5

## SURFACE MOUNT TRIMMERS

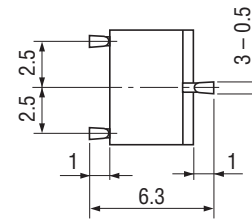
### OUTLINE DIMENSIONS

Unless otherwise specified, tolerance :  $\pm 0.3$  (Unit: mm)

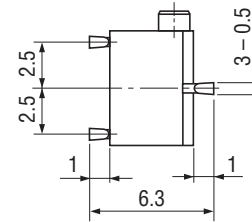
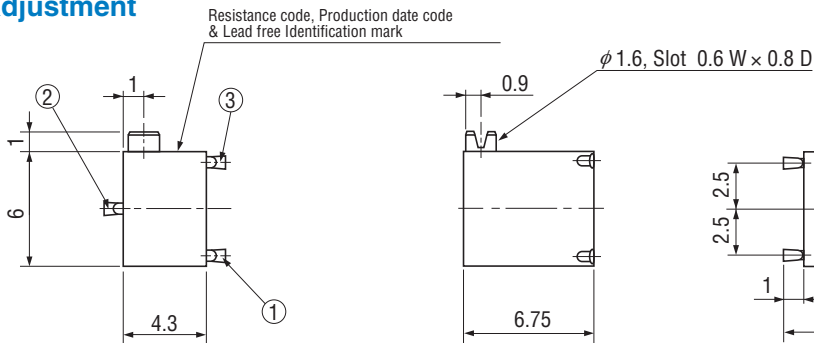
#### ST-5EW Top adjustment



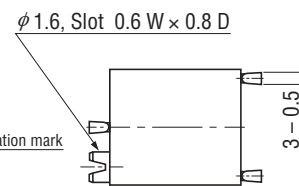
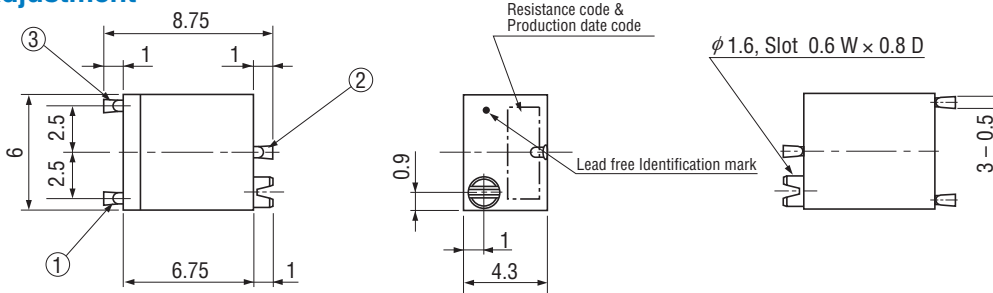
※ Note the terminal position.



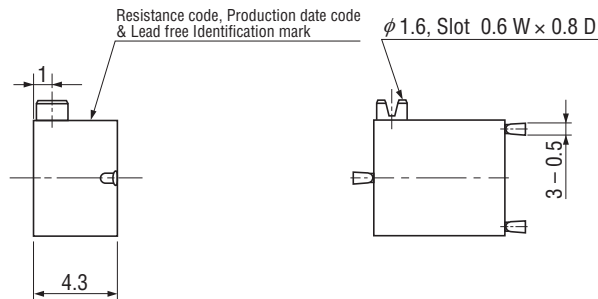
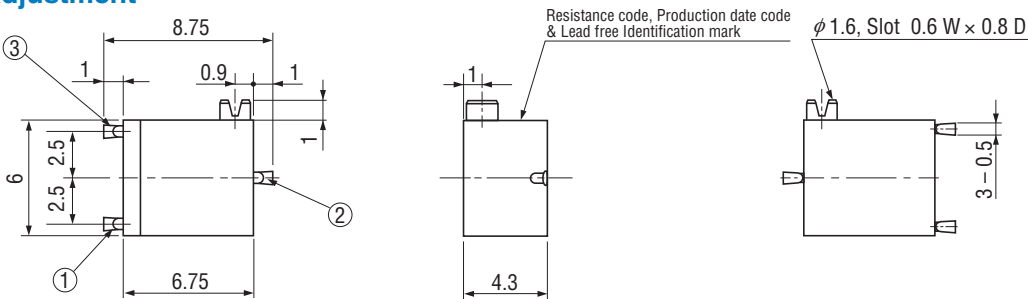
#### ST-5EX Side adjustment



#### ST-5EP Side adjustment



#### ST-5ER Side adjustment



# ST-5

## SURFACE MOUNT TRIMMERS

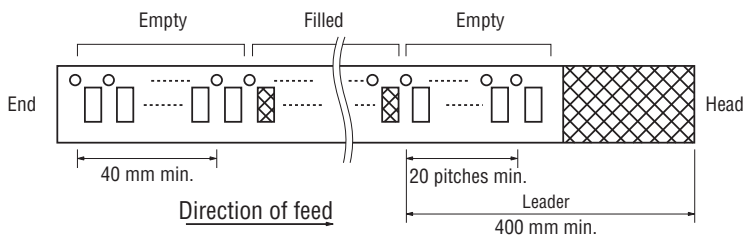
### PACKAGING SPECIFICATIONS

#### <Taping packaging specifications>

- Taping version is packaged in 500 pcs. per reel.  
Orders will be accepted for units of 500 pcs., i.e., 500, 1000, 1500 pcs., etc.
- Taping version is boxed with one reel (500 pcs.).

Maximum number of consecutive missing pieces = 2  
Leader length and reel dimension are shown in the diagrams below.

### EMBOSSED TAPE DIMENSIONS

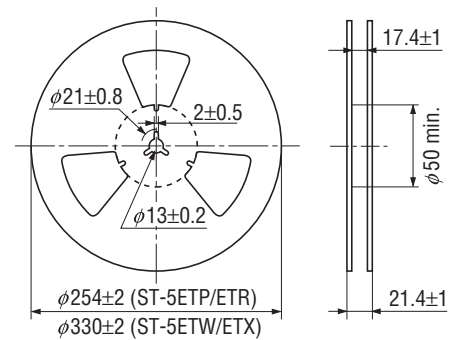


### REEL DIMENSIONS

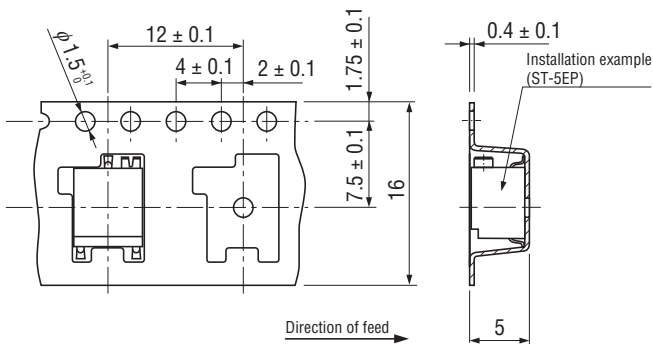
(Conforms to JIS C 0806-3)

(In accordance with EIAJ ET-7200A)

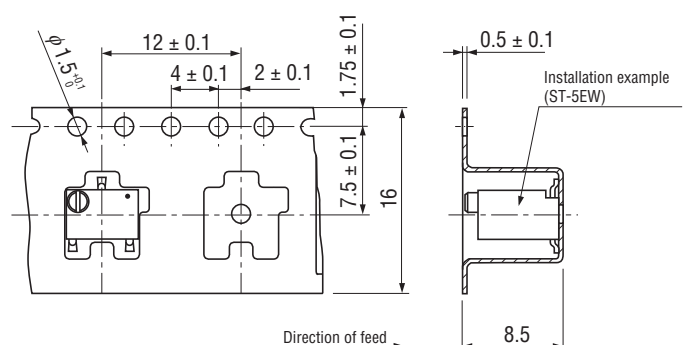
(Unit: mm)



### ST-5ETP/ETR



### ST-5ETW/ETX



# ST-5

## SURFACE MOUNT TRIMMERS

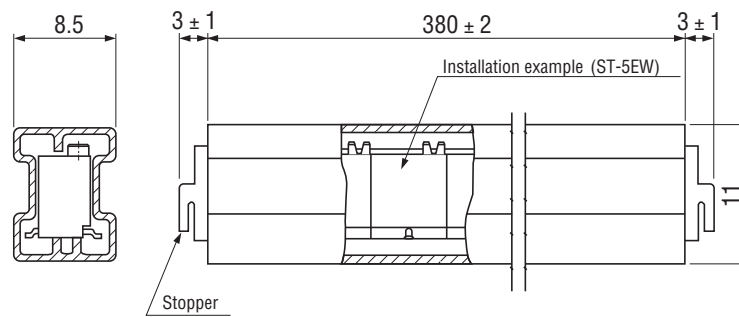
---

### <Magazine packaging specifications>

- Magazine is packed 50 pcs. per stick.  
Orders will be accepted for units of 50 pcs., i.e., 50, 100, 150 pcs., etc.
- Magazines are packed 2000 pcs. per box.

### ● Magazine dimensions

(Unit: mm)



### <Bulk pack specifications>

- Unit of bulk in a plastic bag is 50 pcs. per pack.
- Boxing of bulk in a plastic bag is performed with 200 pcs. per box.

## X-ON Electronics

Largest Supplier of Electrical and Electronic Components

*Click to view similar products for [Trimmer Resistors - SMD category](#):*

*Click to view products by [Nidec Copal manufacturer](#):*

Other Similar products are found below :

[072084A](#) [1-1623902-3](#) [1-1623909-2](#) [1-1623909-3](#) [1-1623916-0](#) [1-1623920-6](#) [1623837-8](#) [1623909-6](#) [1623916-2](#) [1623916-4](#) [1623916-6](#)  
[1623920-6](#) [1623924-1](#) [1801JSMD-100K](#) [1801JSMD-1K](#) [1801JSMD-50K](#) [1801WSMD-100K](#) [1801WSMD-10K](#) [1801WSMD-1K](#)  
[1801WSMD-2K](#) [1801WSMD-50K](#) [1801WSMD-5K](#) [1806PSMD-1K](#) [1806PSMD-5K](#) [1806WSMD-10K](#) [1806WSMD-1K](#) [1806WSMD-20K](#)  
[1806WSMD-2K](#) [1806WSMD-5K](#) [1879029-2](#) [22AR100KLFTR](#) [22AR100LFTR](#) [22AR10KLFTR](#) [22AR1KLFTR](#) [22AR1MEGLFTR](#)  
[22AR200LFTR](#) [22AR20KLFTR](#) [22AR2KLFTR](#) [22AR2MEGLFTR](#) [22AR500KLFTR](#) [22AR500LFTR](#) [22AR50KLFTR](#) [22AR50LFTR](#)  
[22AR5KLFTR](#) [23AR100KLFTR](#) [23AR100LFTR](#) [23AR10KLFTR](#) [23AR1KLFTR](#) [23AR200KLFTR](#) [23AR200LFTR](#)