

New

TF037F

MICRO BLOWERS

FEATURES

- Aerodynamic bearings
- Compact / Light weight
- High static pressures
- Low vibration
- Long life due to aerodynamic bearings without heat dependence
- Resin in full compliance with FDA standards



STANDARD SPECIFICATIONS

- Unless otherwise specified, the environmental conditions are 23°C±5°C, normal humidity, and atmospheric pressure range 90 to 106 kPa.

No.	Item	Part number	TF037F-2000-F	Remarks
1	Operating Voltage Range		10~30 V	
2	Direction of Rotation		(Counterclockwise viewing from the air vent side)	
3	Kind of Gas		Normal Air	Do not use to any corrosive gas.
4	Type of Motor		3 phase 8 pole Brushless (Y Connection)	
5	Number of Poles		8 Poles (4 pole pairs)	
6	Bearing Type		Aero Dynamic Bearing	
7	Recommended Mounting Position		Axis Vertical (Plate Downward)	Avoid vibration and shock while the product is operating. It may damage product
8	Maximum Input Coil Current		3.0 A Max.	In case, the rotor is lock up, the coil may be destroyed by surge current. The protection circuit to prevent surge current must be installed for safety.
9	Power Supply Current		0.9 A Max.	at 3.0 kPa 100 L/min
10	Power Consumption		21.6 W Max.	Temperature: 23±5°C, Humidity: 45~85%RH, Air Pressure: 101.3 kPa
11	Minimum Flowrate		5 L/min	
12	Torque Constant		0.0025 N·m/A	

TF037F

MICRO BLOWERS

No.	Item	Specification	Remarks
13	Rotation Speed Range	6,000~45,000 rpm	Rotation Speed = Hole Sensor Frequency×15
14	Acoustic Audible Noise	at 3.0 kPa 100 L/min Temperature:23±5°C, Humidity:45~85%RH, Air Pressure:101.3 kPa	Measured 1 m away from the intake vent (Including dark noise as 15 dB)
15	Coil Resistance	0.5 Ω	at 20°C (Between 2 phase)
16	Coil Inductance	20 μH	at 20°C, 10 kHz (Between 2 phase)
17	Insulation Class	E grade (JIS C 4003 Cable for Coil)	
18	Insulation Resistance	20 MΩ Min. between Coil terminal and Plate at 500 VDC(JIS C 4003)	
19	Insulation Pressure Resistance	Leak Current: 1 mA Max.	At min 600 VAC between coil terminal and plate more than one second
20	Weight	72 g (reference value)	
21	Rotor Inertia	19 g·cm ² (reference value)	
22	Operating Temperature And Humidity	-10~60°C、10~95%RH	Condensation may cause damage to product.
23	Storage Temperature Humidity range	-20~60°C、10~95%RH	Condensation may cause damage to product.
24	Operating Ambient Pressure	770~1,060 hPa	

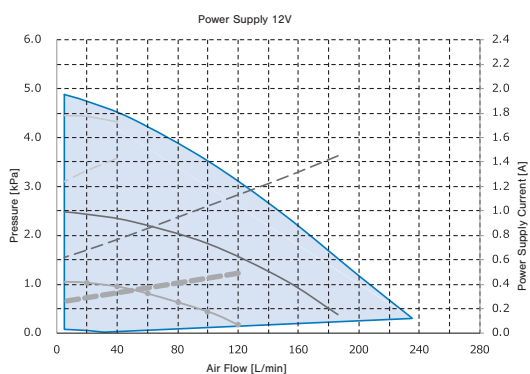
OPERATING RANGE IN P-Q & Q-I RATING

- P-Q and Q-I conditions must not exceed the ratings listed below.
- The general purpose driver TF037E-1000-D is setup to the configuration for general use. In using the general purpose driver, the output may not reach the maximum ratings listed below.
- P-Q and Q-I characteristics are for reference purpose only. The driver must be configured properly by measuring the actual condition before use.

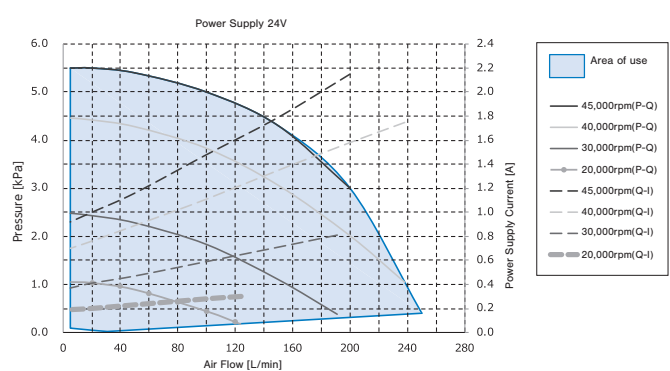
※ The characteristics below are measured with our company's driver at axis vertical position.

※ Ambient Temperature : 25°C, Barometric Pressure: 101.3 kPa

Characteristics at 12 V P-Q/Q-I



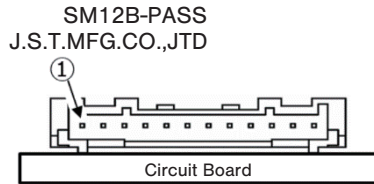
Characteristics at 24 V P-Q/Q-I



TF037F

MICRO BLOWERS

CONNECTOR



HARNESS SIDE

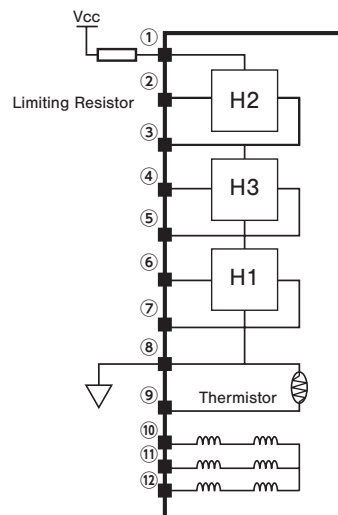
J.S.T.MFG.CO.,JTD SM12B-PASS	
Pressure Welding	12PAF-6S (Retainer: PAFS-12V-S)
Crimping	PAP-12V-S (Contact: SPHD-001T-P0.5)

- Both pressure welding and crimping are available.
- Recommended size: AWG#22

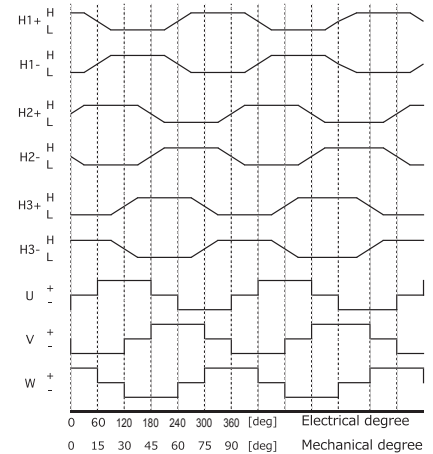
TERMINAL ARRAY

Pin No.	Symbol	Content
①	Vcc	Power for Hall Sensor
②	H2-	Output of Hall 2
③	H2+	
④	H3-	Output of Hall 3
⑤	H3+	
⑥	H1-	Output of Hall 1
⑦	H1+	
⑧	GND	GND
⑨	TH	Thermistor
⑩	V	Coil (V)
⑪	W	Coil (W)
⑫	U	Coil (U)

INTERNAL CIRCUIT / LIMITING RESISTOR



TIMING CHART



- The current into the hall sensor must be restricted within the rating listed below by using a resistor.

HALL SENSOR CHARACTERISTIC

Input Current	10 mA Max.	At maximum operating load at temperature 60°C
Input Resistance	250 ~ 450 Ω	Per one Hall sensor
Differential Output	300 mV p-p Min.	VH = (VH+) - (VH-) at 10 mA in Input current

• Equivalent of ASAHI KASEI Electronics HW-105A

THERMISTOR CHARACTERISTIC

Reference Resistance 25°C	10 kΩ
Operating Current 25°C	0.31 mA
B Constant[25/85°C]	4,100 K
Maximum Temperature	86°C (Thermistor Resistance: 0.97 kΩ)

• Equivalent of TDK NTCG164BH103JT

X-ON Electronics

Largest Supplier of Electrical and Electronic Components

Click to view similar products for [Blowers & Centrifugal Fans](#) category:

Click to view products by [Nidec Copal](#) manufacturer:

Other Similar products are found below :

[MKEL-DRB](#) [R2D140-AB02-14](#) [R2D160-AC02-13](#) [R4D310-AS18-01](#) [R4D400-AD22-06](#) [R4E180-AS11-09](#) [R4S175-AA16-12](#) [AIF60112](#)
[AIF801724](#) [RLF35-812N2P-103](#) [DOP-EXI014RAE](#) [KFB1724VHT-AF00](#) [KFC1048DS-S45D](#) [AIF641714](#) [CME-COP01](#) [R1G220-AB07-09](#)
[R2E180CH0312](#) [R2S150-AD08-09](#) [RD20S-4/210660](#) [RH56M-6/204689](#) [D2E146-CD51-09](#) [TP04G-AS2](#) [TP05G-BT2](#) [TP-PCC](#) [BR200W250](#)
[D4E133-AA01-51](#) [DFD0612H/SPECTRA](#) [DOP-EXI028RAE](#) [55462.19890](#) [K1G200-AA73-02](#) [G2D160-AF02-01](#) [G2E150-BA52-07](#)
[G2S150-AB56-42](#) [D4E225-BC01-02](#) [R2D225-AV02-14](#) [D2E146-HT67-63](#) [K1G220-AA67-02](#) [G2E140-AG02-05](#) [R3G190-AB23-02](#)
[55410.91750](#) [55462.19891](#) [G3G160-AC70-01](#) [R1G120-AD17-11](#) [R3G250-AM70-01](#) [R2E225-RA02-47](#) [RER225-63/18/2TDMP](#) [R4E310-](#)
[AO12-14](#) [D2E146-HT65-64](#) [3612751](#) [G2D140-AC30-18](#)