

Specification of Quartz Crystal Units

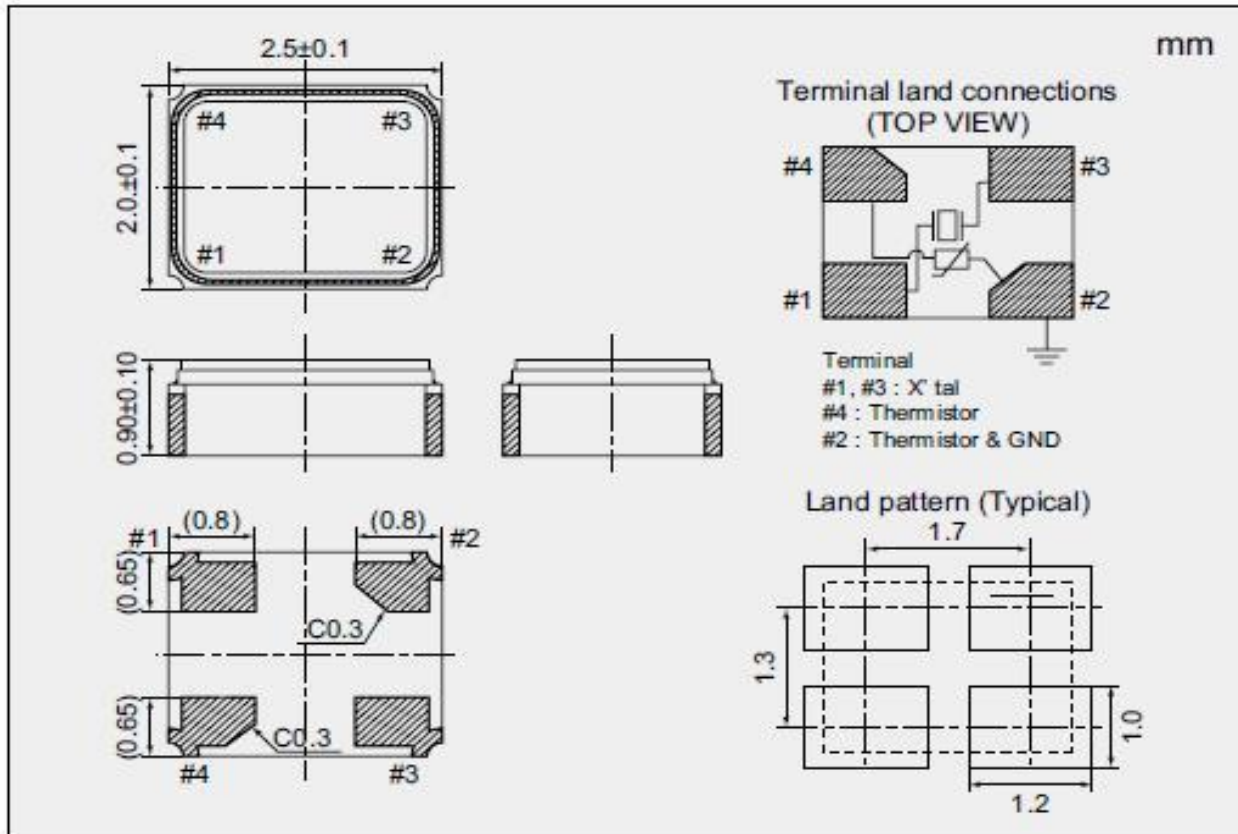
- 1 NDK Part Number: NX2520SG-19.2M-EXS00A-CS04340
- 2 Chipset Maker: Qualcomm
- 3 Application: Connectivity (NB-IOT, Modem for mobile)
- 4 Chipset Name: MDM9206, MDM9207, Snapdragon series
- 5 NDK Specification Number: EXS00A-CS04340
- 6 Type: NX2520SG
- 7 Electrical Characteristics

	Parameters	SYM.	Electrical Spec.			Units	Notes
			min	typ	max		
1	Nominal Frequency (f _{nom})	f _{nom}	19.200			MHz	
2	Overtone order	-	Fundamental			-	
3	Frequency tolerance	-	-10	-	+10	ppm	at +30°C
4	Frequency versus temperature characteristics *1.	-	-12	-	+12	ppm	at -30 to +85°C
5	Equivalent Series Resistance	R _r	-	-	70	Ω	IECπ -Network Series
6	Load capacitance	CL	-	7	-	pF	IECπ -PI-Network
7	Level of drive	-	-	10	100	μW	
8	Shunt Capacitance	C ₀	-15%	0.85	+15%	pF	
9	Motional Capacitance	C ₁	-15%	2.2	+15%	fF	
10	Motional Inductance	L ₁	-15%	31.2	+15%	mH	
11	Insulation resistance	-	500	-	-	Ω	*2
12	Operating temperature range	-	-30	-	105	°C	
13	Storage temperature range	-	-40	-	105	°C	
14	Air-tightness	-	-	-	1.1x10 ⁻⁹	Pa m ³ /s	Helium leak detector

*1. The reference temperature shall be +30°C

*2. When terminal to terminal and terminal to cover were applied at DC100V ±15V.

Dimension



X-ON Electronics

Largest Supplier of Electrical and Electronic Components

Click to view similar products for [Crystals category](#):

Click to view products by [Nihon Dempa Kogyo manufacturer](#):

Other Similar products are found below :

[CS325S24000000ABJT](#) [718-13.2-1](#) [MC405 32.0000K-R3:PURE SN](#) [FC-135R 32.7680KF-A3](#) [7A-40.000MAAE-T](#) [7B-27.000MBBK-T](#)
[FL2000085](#) [9B-15.360MBBK-B](#) [9C-7.680MBBK-T](#) [ASH7K-32.768KHZ](#) [AT-41.600MAGQ-T](#) [BTD1062E05A-513](#) [LFX TAL066198Cutt](#)
[9C-14.31818MBBK-T](#) [FA-238 50.0000MB30X-K3](#) [FC-12M 32.7680KA-AC3](#) [SSPT7F-9PF20-R](#) [FX325BS-38.88EEM1201](#)
[LFX TAL065253Cutt](#) [LFX TAL066431Cutt](#) [XT9S20ANA14M7456](#) [XT9SNLANA16M](#) [646G-24-2](#) [7A-24.576MBBK-T](#) [7B-30.000MBBK-T](#)
[WX26-32.768K-6PF](#) [9B-14.31818MBBK-B](#) [CD1AM](#) [7B-25.000MAAE-T](#) [7A-14.31818MBBK-T](#) [6504-202-1501](#) [6526-202-1501](#) [FA-118T](#)
[27.1200MB50P-K0](#) [FC-135R 32.7680KA-A3](#) [ABM12-104-37.400MHZT](#) [ABLS-10.000MHZ-D3W-T](#) [BTJ112E01E-513](#) [BTJ722K01C-7067](#)
[BTL-20-513](#) [TSX-3225 24.0000MF15X-AC](#) [TSX-3225 16.0000MF18X-AC](#) [BTJ120E02C](#) [BTL-12-513](#) [7A-10.000MBBK-T](#) [7A-](#)
[11.0592MBBK-T](#) [ABM12-103-24.000MHZT](#) [CS325S25000000ABJT](#) [ABM3B-25.000MHZ-B2-X-T](#) [FC-135 32.7680KA-A5](#) [FX0800015](#)