

NX3215SA

For OA / AV / Mobile Communication / Automotives

■ Features

Compact, thin, and light weight tuning fork crystal unit.

- Excellent electric performance optimum for mobile communications,
OA (office automation) and AV (audiovisual) applications are exhibited. (For OA / AV / Mobile Communication)
- Excellent heat resistance and environmental characteristics. (For Automotives)
- Meet the requirements for re-flow profiling using lead-free solder.
- Conforms to AEC-Q200. (For Automotives)



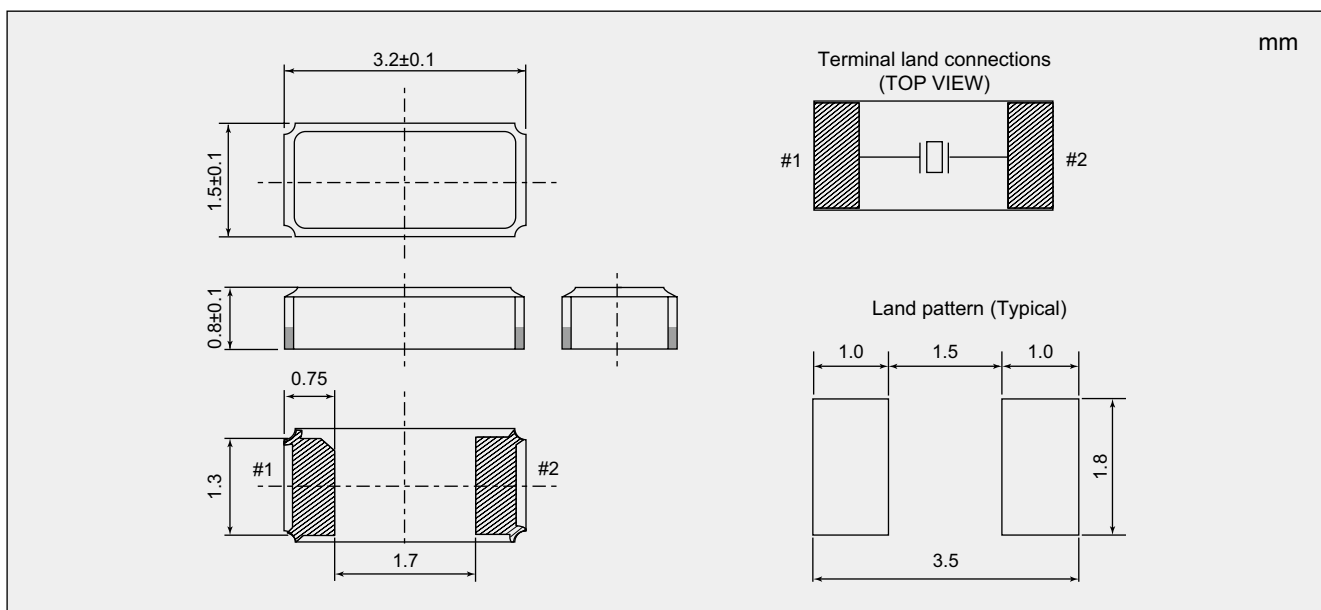
Pb Free

RoHS Compliant
Directive 2011/65/EU

■ Specifications

Item	Model NX3215SA					
Main Application	For OA / AV / Mobile Communication			For Automotive		
Nominal Frequency	32.768kHz					
Operating Temperature Range	-40 to +85°C			-40 to +125°C		
Storage Temperature Range	-40 to +85°C			-40 to +125°C		
Level of Drive	0.1μW (Max. 0.5μW)					
Frequency Tolerance (25 ±3 °C)	±20 × 10 ⁻⁶					
Turning Point	+25°C ± 5°C					
Temperature Coefficient	-0.04 × 10 ⁻⁶ /°C ² Max.					
Load Capacitance	6.0pF	9.0pF	12.5pF	6.0pF	9.0pF	12.5pF
Equivalent Series Resistance	Max. 70kΩ			Max. 80kΩ		
Shunt Capacitance	Typ. 1.0pF / Max. 1.5pF					
Insulation Resistance	Min. 500MΩ					
Specifications Number	STD-MUA-14	STD-MUA-9	STD-MUA-8	STD-MUS-4	STD-MUS-3	STD-MUS-2

■ Dimensions



Please specify the model name, frequency, and specification number when you order products.
For further questions regarding specifications, please feel free to contact us.

X-ON Electronics

Largest Supplier of Electrical and Electronic Components

Click to view similar products for [Crystals](#) category:

Click to view products by [Nihon Dempa Kogyo](#) manufacturer:

Other Similar products are found below :

[CX3225GB25000M0PPSZ1](#) [718-13.2-1](#) [MC405 32.0000K-R3:PURE SN](#) [7A-40.000MAAE-T](#) [FL2000085](#) [99-BU](#) [9B-15.360MBBK-B](#) [9C-7.680MBBK-T](#) [H10S-12.000-18-EXT-TR](#) [ABC2-6.000MHZ-D4Z-T](#) [ABLS-20.000MHZ-D2-T](#) [ABS071-32.768KHZ-6-T](#) [R38-32.768-12.5-5PPM-NPB](#) [BTD1062E05A-513](#) [21U15A-21.4MHZ](#) [RTX-781DF1-S-20.950](#) [LFXTAL066198Cutt](#) [9C-14.31818MBBK-T](#) [A-11.000MHZ-27](#) [ABL-27.000MHZ-B4Y-T](#) [ABM11-132-24.000MHZ-T3](#) [ABM3B1-25.000MHZ-D2Y-T](#) [SPT2A-.032768B](#) [SPT2A.032768G](#) [SSPT7F-9PF20-R](#) [FX325BS-38.88EEM1201](#) [LFXTAL065253Cutt](#) [LFXTAL066431Cutt](#) [XT9S20ANA14M7456](#) [XT9SNLANA16M](#) [646G-24-2](#) [7A-24.576MBBK-T](#) [7B-30.000MBBK-T](#) [7A-14.31818MBBK-T](#) [6504-202-1501](#) [6526-202-1501](#) [ABLS-12.000MHZ-B2Y-T](#) [ABLS-10.000MHZ-D3W-T](#) [7A-10.000MBBK-T](#) [SG636PCE-20.000MC](#) [3404](#) [E1SAA18-25.000M TR](#) [CM315D32768EZFT](#) [C1E-24.000-7-2020-R](#) [C1E-19.200-12-1530-X-R](#) [C1E-16.000-12-1530-X-R](#) [FL5000014](#) [EUCA18-3.1872M](#) [FX0800015](#) [425F35E027M0000](#)