

## NX3215SA

For OA / AV / Mobile Communication / Automotives

### ■ Features

Compact, thin, and light weight tuning fork crystal unit.

- Excellent electric performance optimum for mobile communications,  
OA (office automation) and AV (audiovisual) applications are exhibited. (For OA / AV / Mobile Communication)
- Excellent heat resistance and environmental characteristics. (For Automotives)
- Meet the requirements for re-flow profiling using lead-free solder.
- Conforms to AEC-Q200. (For Automotives)



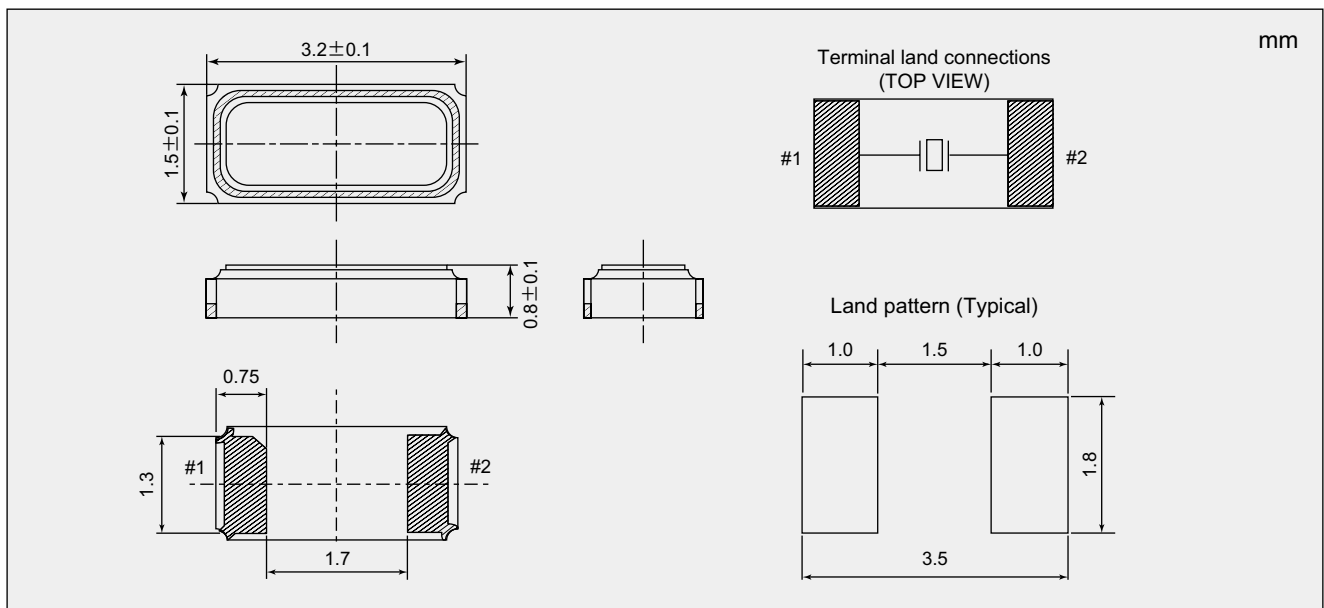
Pb Free

RoHS Compliant  
Directive 2011/65/EU  
Directive (EU) 2015/863

### ■ Specifications

Item	Model NX3215SA					
Main Application	For OA / AV / Mobile Communication			For Automotive		
Nominal Frequency	32.768kHz					
Operating Temperature Range	-40 to +85°C			-40 to +125°C		
Storage Temperature Range	-40 to +85°C			-40 to +125°C		
Level of Drive	0.1μW (Max. 0.5μW )					
Frequency Tolerance (25 ±3 °C)	±20 × 10 <sup>-6</sup>					
Turning Point	+25°C ± 5°C					
Temperature Coefficient	-0.04 × 10 <sup>-6</sup> /°C <sup>2</sup> Max.					
Load Capacitance	6.0pF	9.0pF	12.5pF	6.0pF	9.0pF	12.5pF
Equivalent Series Resistance	Max. 70kΩ			Max. 80kΩ		
Shunt Capacitance	Typ. 1.0pF / Max.1.5pF					
Insulation Resistance	Min. 500MΩ					
Specifications Number	STD-MUA-14	STD-MUA-9	STD-MUA-8	STD-MUS-4	STD-MUS-3	STD-MUS-2

### ■ Dimensions



Please specify the model name, frequency, and specification number when you order products.  
For further questions regarding specifications, please feel free to contact us.

## X-ON Electronics

Largest Supplier of Electrical and Electronic Components

*Click to view similar products for [Crystals category](#):*

*Click to view products by [Nihon Dempa Kogyo manufacturer](#):*

Other Similar products are found below :

[CS325S24000000ABJT](#) [718-13.2-1](#) [MC405 32.0000K-R3:PURE SN](#) [FC-135R 32.7680KF-A3](#) [7A-40.000MAAE-T](#) [7B-27.000MBBK-T](#)  
[FL2000085](#) [9B-15.360MBBK-B](#) [9C-7.680MBBK-T](#) [ASH7K-32.768KHZ](#) [AT-41.600MAGQ-T](#) [BTD1062E05A-513](#) [LFXTAL066198Cutt](#)  
[9C-14.31818MBBK-T](#) [FA-238 50.0000MB30X-K3](#) [FC-12M 32.7680KA-AC3](#) [SSPT7F-9PF20-R](#) [FX325BS-38.88EEM1201](#)  
[LFXTAL065253Cutt](#) [LFXTAL066431Cutt](#) [XT9S20ANA14M7456](#) [XT9SNLANA16M](#) [646G-24-2](#) [7A-24.576MBBK-T](#) [7B-30.000MBBK-T](#)  
[WX26-32.768K-6PF](#) [9B-14.31818MBBK-B](#) [CD1AM](#) [7B-25.000MAAE-T](#) [7A-14.31818MBBK-T](#) [6504-202-1501](#) [6526-202-1501](#) [FA-118T](#)  
[27.1200MB50P-K0](#) [FC-135R 32.7680KA-A3](#) [ABM12-104-37.400MHZT](#) [ABLS-10.000MHZ-D3W-T](#) [BTJ112E01E-513](#) [BTJ722K01C-7067](#)  
[BTL-20-513](#) [TSX-3225 24.0000MF15X-AC](#) [TSX-3225 16.0000MF18X-AC](#) [BTJ120E02C](#) [BTL-12-513](#) [7A-10.000MBBK-T](#) [7A-](#)  
[11.0592MBBK-T](#) [ABM12-103-24.000MHZT](#) [CS325S25000000ABJT](#) [ABM3B-25.000MHZ-B2-X-T](#) [FC-135 32.7680KA-A5](#) [FX0800015](#)