

REV.	DESCRIPTION	DRAWN	CHECKED	APPROVED
A	NEW RELEASE	LJH 09/21/05'	~	LJC 09/21/05'
B	增加king类型	yeh 05/19/08'	~	LJC 05/19/08'
C	ADD CONTACTS TYPE	JLZ 09/25/14'	~	LJC 09/25/14'
D	Drawing correction	JLZ 02/10/15'	~	

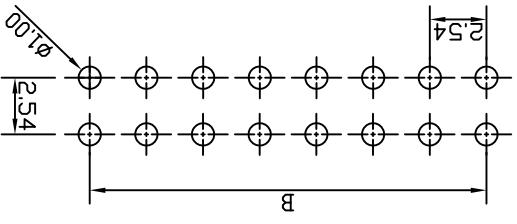
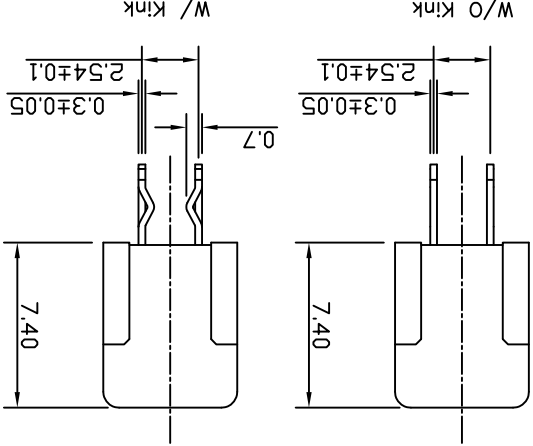
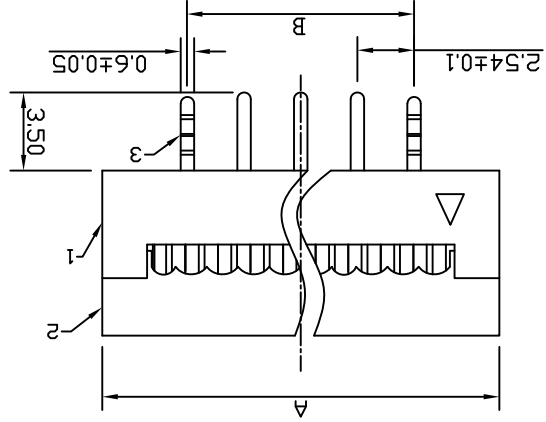
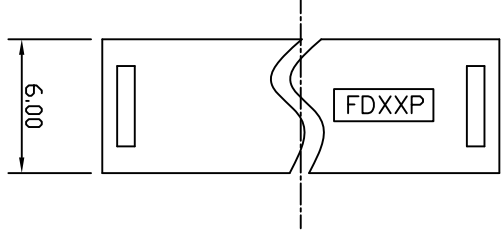
NOTES:
 1. MATERIAL
 1.1 INSULATOR: THERMOPLASTIC(UL 94V-0).
 1.2 CONTACT: COPPER ALLOY.

2. SPECIFICATION
 2.1 TEMPERATURE: -40°C~+105°C.
 2.2 CONTACT RESISTANCE: 20mΩ max.
 2.3 INSULATION RESISTANCE: 1000MΩ min.
 2.4 DIELECTRIC WITHSTANDING VOLTAGE: AC 500V PER MINUTE.

3. PRODUCT NUMBER CODE:
 DS1018-X X X X X

kink support
 S: W/ kink
 X: W/O kink
 Housing Color
 A: Gray
 B: Black
 CONTACT PLATING
 8: FULL GOLD FLASH
 2: Gold + Nickel
 6: TIN

NO. OF CONTACTS
 06 08 10 12 14 16 20
 26 30 34 40 50 60 64



RECOMMEND PCB LAYOUT(TOLERANCE=±0.05)

Position	Dim.	TOL.	Dim.	TOL.
06	12.92	5.08	B	
08	15.46	7.62		
10	18.00	10.16		
12	20.54	12.70		
14	23.08	15.24		
16	25.62	17.78		
20	30.70	22.86		
26	38.32	30.48		
30	43.40	35.56		
34	48.48	40.64		
40	56.10	48.26		
50	68.80	60.96		
60	81.50	73.66		
64	86.58	78.74		

GENERAL TOLERANCE	ANGLE TOLERANCE	PROJECTION	TITLE
X: ±0.60 .X: ±0.38 .XX: ±0.25	X: ±5. .X: ±3. .XX: ±2.	mm	DIP PLUG CONNECTOR PITCH 2.54mm

ITEM	PART NAME	PART NO.	MATERIALS	FINISHED
1	HOUSING		THERMOPLASTIC	UL 94 V-0
2	COVER		THERMOPLASTIC	UL 94 V-0
3	CONTACT		COPPER ALLOY	GOLD+TIN PLATED

DRAWING NO.	SCALE	DRAWING TYPE	CUSTOMER
C-DS1018-XXXX-D	1:1	SHEET 1 OF 1	

晨翔电子有限公司
 CONNLY CONNLY ELECTRONIC CO., LTD

SHEET SIZE A4 SERIES DS1018 SERIES

8

7

6

5

4

3

2

1

G

F

E

D

C

B

A

H

G

F

E

D

C

B

A

X-ON Electronics

Largest Supplier of Electrical and Electronic Components

Click to view similar products for [Headers & Wire Housings](#) category:

Click to view products by [Connfly](#) manufacturer:

Other Similar products are found below :

[95000-104TRLF](#) [10135584-644402LF](#) [DF62W-EP2022PCA](#) [95000-106TRLF](#) [DF62W-2022SCA](#) [DF62W-EP2022PC](#) [2203348](#) [DF62W-2022SC](#) [1084018](#) [1029039](#) [1084017](#) [802-10-012-10-002000](#) [1112640](#) [1112639](#) [000-34000](#) [0009482033](#) [0009507031](#) [57102-S06-03LF](#) [57202-S52-04LF](#) [PCN6-15S-2.5E](#) [0039019024](#) [58102-G61-06LF](#) [582553-1](#) [0009508121](#) [0022285053](#) [0050291907](#) [018731A](#) [LY20-4P-DT1-P1E-BR](#) [02.125.8002.8](#) [60101931](#) [60598-1 \(Cut Strip\)](#) [M1625-3R/100](#) [61062-3](#) [61082-181009](#) [636-1427](#) [638009-1](#) [641938-9](#) [641991-4](#) [644168-1](#) [647662-1](#) [65039-019ELF](#) [65817-002LF](#) [65817-015LF](#) [65863-015LF](#) [66207-023LF](#) [67016-026LF](#) [67046-001LF](#) [67095-007LF](#) [67230-005LF](#) [68002-116](#)