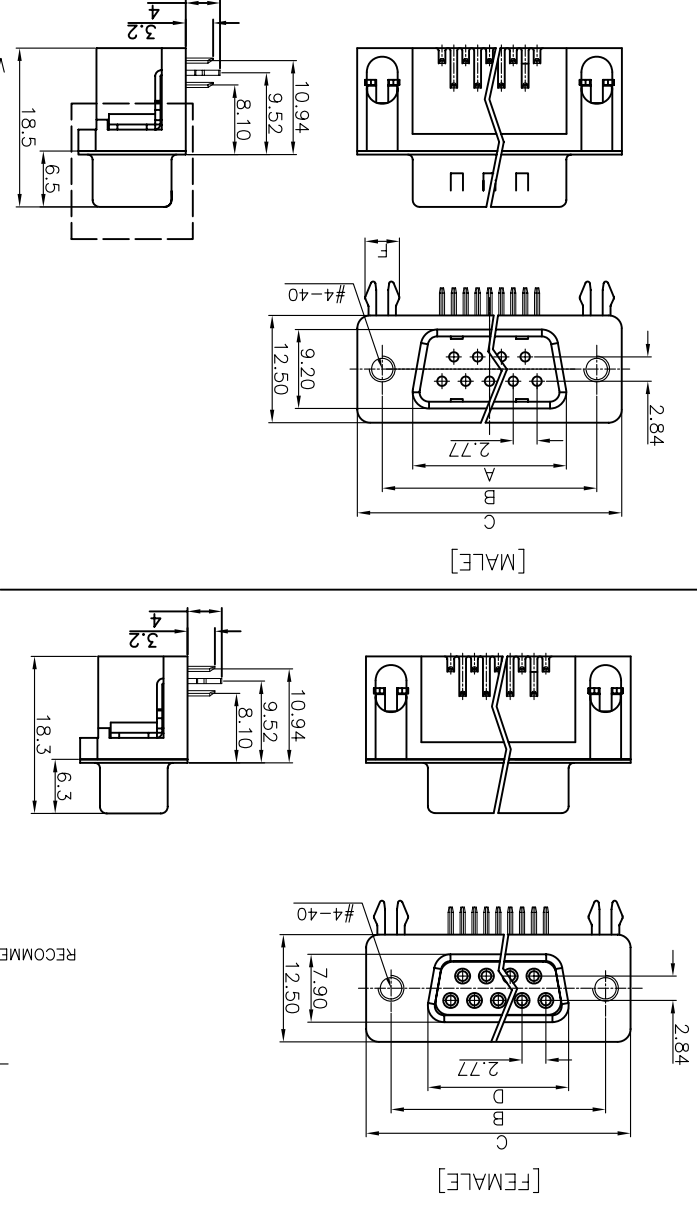
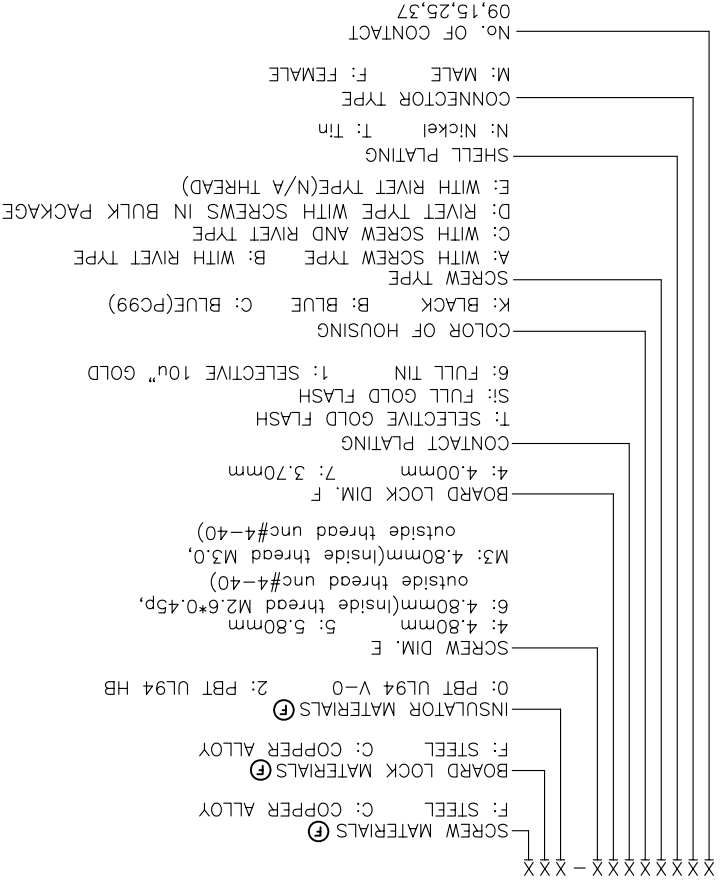
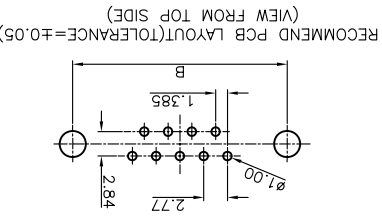
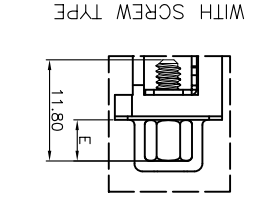
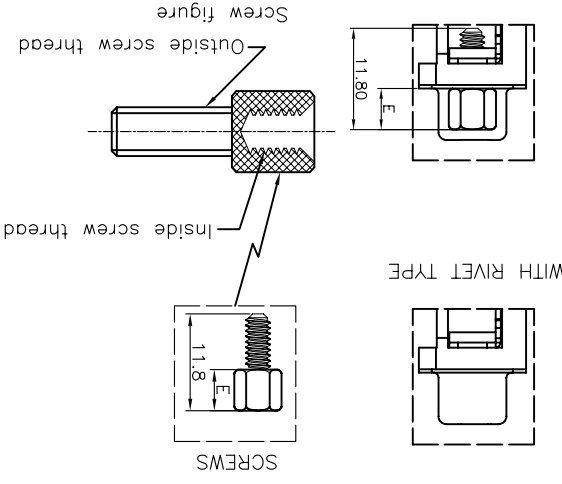


Positions	A±0.2	B±0.2	C±0.2	D
9	17.90	24.99	30.80	16.33
15	26.50	33.32	39.14	24.66
25	40.00	47.04	53.04	38.38
37	56.50	63.50	69.32	54.84

Dimensions:



DRAWING NO. C-DS1037-XXXXXXX-XXX-F	
SCALE 1:1	SHEET 1 OF 1
DRAWING TYPE CUSTOMER	
GENERAL TOLERANCE X. ±0.60	ANGLE TOLERANCE X. ±5.
.XX ±0.25	.X ±3.
.X ±0.38	.X ±3.
.XX ±0.25	.XX ±2.



- NOTES:
- SPECIFICATIONS:
 - VOLTAGE RATING: 250V AC.
 - CONTACT CURRENT RATING: 1.5A MAX. PER PIN.
 - CONTACT RESISTANCE: 20mΩ MAX.
 - INSULATION WITHSTANDING VOLTAGE: 500V AC(rms) FOR 1 MINUTE.
 - TEMPERATURE RANGE: -40°C~+105°C.
 - PRODUCT NUMBER CODE:
 - PRODUCT NUMBER CODE: D S 1 0 3 7 - X X X X X X X X - X X X
 - INSULATOR MATERIALS: 0: PBT UL94 V-0 2: PBT UL94 HB
 - SCREW DIM.: E: 4.80mm 5: 5.80mm 6: 4.80mm(inside thread M2.6*0.45p, outside thread unc#4-40)
 - BOARD LOCK DIM.: F: 4.00mm 7: 3.70mm
 - CONTACT PLATING: T: SELECTIVE GOLD FLASH S: FULL GOLD FLASH 6: FULL TIN 1: SELECTIVE 10u" GOLD
 - SCREW TYPE: K: BLACK B: BLUE C: BLUE(PC99)
 - WITH RIVET TYPE: A: WITH SCREW TYPE B: WITH RIVET TYPE C: WITH SCREW AND RIVET TYPE D: RIVET TYPE WITH SCREWS IN BULK PACKAGE E: WITH RIVET TYPE(N/A THREAD)
 - SHELL PLATING: N: Nickel T: Tin
 - CONNECTOR TYPE: M: MALE F: FEMALE
 - NO. OF CONTACT: 09,15,25,37

REV.	DESCRIPTION	DRAWN	CHECKED	APPROVED
A	NEW RELEASE	LJH 05/13/06		LJC 05/13/06
E	ADD SCREW TYPE	YCH 05/28/09		LJC 05/28/09
F	ADD SCREW TYPE	LJC 12/13/13		

CONNELY CONNELY ELECTRONIC CO., LTD
 晨翔电子有限公司

PROJECTION	TITLE	D-SUB STANDARD	RIGHT ANGLE(7.2mm) TYPE
UNITS	mm	SHEET SIZE	A4
SERIES	DS1037 SERIES		

X-ON Electronics

Largest Supplier of Electrical and Electronic Components

Click to view similar products for [D-Sub Standard Connectors](#) category:

Click to view products by [Connfly](#) manufacturer:

Other Similar products are found below :

[DCM37S732N](#) [DAM15P500](#) [DEV09S364GTLF](#) [DEM09P032N](#) [DDM50P732N](#) [DAM15S332N](#) [173109-2218](#) [173109-2466](#) [173109-2436](#)
[173109-2435](#) [56F706-005-LI](#) [56F711-015](#) [015-0341-000](#) [015-0372-008](#) [015-8544-011](#) [017041-0005](#) [020419-0104](#) [012-0515-000](#) [012-9507-](#)
[034](#) [012-9507-114](#) [012-9534-001](#) [020745-0008](#) [609-25P](#) [M24308/2-23Z](#) [M243082310F](#) [M243082410F](#) [M243082411F](#) [M24308/4-21](#)
[CT1A18-11PSA206](#) [CT1N36-5SC](#) [CT2-16S-17PS](#) [CT2-20-15PCAU](#) [CT2-24-12PS](#) [CT2-24-28PSF127A206](#) [CT2-32-9PC](#) [CT6F9767-14-4-](#)
[14S-5PC](#) [CT6FA10SL-4PS](#) [CT7-18-10SC](#) [CT7-18-10SCAU](#) [CT7-18-12SCAU](#) [CT7-18-1PC](#) [CT7-18-1PCAU](#) [CT7-18-21SCAU](#) [M83513/01-](#)
[FC](#) [M83723/76W24619 L/C](#) [M85049/48-3-2F](#) [69001-865](#) [6STD09PCM99B70X](#) [6STD09SCM99B30X](#) [6STD09SCT99S40X](#)