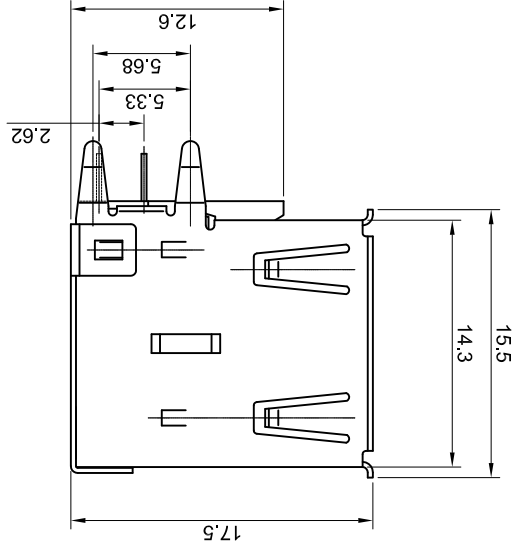
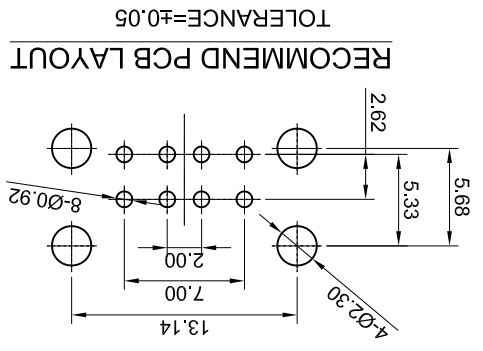
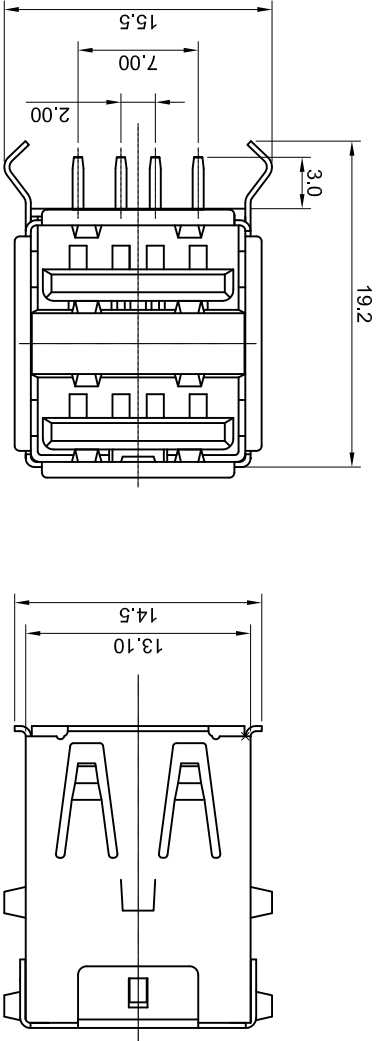


The information provided herein is from CONNELY Electronic Co., Ltd. and is confidential. Any disclosure to a party other than the recipient is prohibited. The intellectual properties and its use rights contained herein, including but not limited to, trademarks, patents, copyrights, trade secrets, and technical know-how, are owned exclusively by CONNELY or its affiliates. Unauthorized use of this information, in any form or manner, by CONNELY may enforce its intellectual property rights at its own discretion. Failures or delays to exercise such rights does not constitute a waiver of such rights.

Dept / Qty

DC 1
ED 1
IE 1
ISO 1
PD 1
R&D 1
SD 1
QA 1
QC 1
QE 1



DRAWING NO. C-DS1096-XXXX-D	
SCALE 1:1	SHEET 1 OF 1
DRAWING TYPE CUSTOMER	
GENERAL TOLERANCE X ±0.60	ANGLE TOLERANCE X ±5°
.XX ±0.25	.X ±3°
.X ±0.38	.X ±3°
.XX ±2°	.XX ±2°

PROJECTION		TITLE		USB DUAL 8 PIN RECEPTACLE	
UNITS mm		SHEET SIZE A4		SERIES DS1096 SERIES	
RIGHT ANGLE TYPE		CONNELY CONNELY ELECTRONIC CO., LTD		晨翔电子有限公司	

4. PRODUCT NUMBER CODE: DS1096 - X X X - X
3. ENVIRONMENT CHARACTERISTICS:
- 3.1 TEMPERATURE: -20°C~+85°C.
 - 2.2 SHELL: COPPER ALLOY.
 - 2.1 CONTACT: COPPER ALLOY.
 - 2.0 HOUSING: PBT+30% GLASS FIBER(UL 94-0).
2. MATERIALS:
- 1.4 DIELECTRIC STRENGTH: AC 500V FOR 1 Minute.
 - 1.3 VOLTAGE RATING: 30VDC.
 - 1.2 CURRENT RATING: 1.5A.
 - 1.1 INSULATOR RESISTANCE: 1000MΩ min. AT DC 500V.
 - 1.0 CONTACT RESISTANCE: 30mΩ max.
1. SPECIFICATIONS:
- Shell Material
 - Fe: Steel
 - N/A Code: Copper Alloy
 - Shell Type
 - X: W/O shrapnel
 - Contact Plating
 - 0: Selective Gold flash
 - 03: Selective Gold 3u"
 - 30: Selective Gold 30u"
 - Shell Plating
 - N: Nickel
 - 6: Tin
 - Color of Housing:
 - W: White
 - B: Black

REV.	DESCRIPTION	DRAWN	CHECKED	APPROVED
A	NEW RELEASE	LJH 05/10/05'	LJH 05/10/05'	LJC 05/10/05'
B	ARRANGE DRAWING	JLZ 04/15/15'	JLZ 04/15/15'	LJC 04/15/15'
C	DRAWING UPDATE	JLZ 03/23/17'	HZW 03/23/17'	LJC 03/23/17'
D	DRAWING UPDATE	JLZ 04/22/19'		

X-ON Electronics

Largest Supplier of Electrical and Electronic Components

Click to view similar products for [USB Cables / IEEE 1394 Cables](#) category:

Click to view products by [Connfly](#) manufacturer:

Other Similar products are found below :

[68768-0173](#) [FNY-W6003-01](#) [88764-0800](#) [13805532](#) [148700-1](#) [17-200621](#) [17-250051P](#) [954](#) [AC102012-2](#) [FNY-W6003-A5](#) [IP-USB1\(C10\)S-RW](#) [USBFTV7SA2G03A](#) [CABLE/RTP/USB/DT](#) [0847290003](#) [10115240-12200LF](#) [RS232-GTD](#) [USBFTVX2SA2N03A](#) [USBFTV2SA2N03A](#) [USBFTV2SA2N05A](#) [1689404-1](#) [FTP-629Y401](#) [FTP-628Y402](#) [943301-001](#) [FNY-W6022](#) [FNY-W6003-03](#) [1310-1015-05](#) [1310-1019-04](#) [0887283402](#) [UA-30AMFM-SL7B02](#) [UA-30AMFM-SL7B01](#) [UA-30AFM-LD7B03](#) [UA-30AMFM-SL7B03](#) [USBAPSCC7202A](#) [UES-1001A160](#) [UES-1003A160](#) [USBFTVX7SA2N20A](#) [USBFTVX2SA2N20A](#) [USBFTV2PEMSA2N10A](#) [FTP-629Y602](#) [USBCAMCM100](#) [USB A/F*2 to 2.54 2*5P-SH L=400mm](#) [EP-CBUSB10P2FLT](#) [1310-1033-01](#) [1310-1037-04](#) [68784-0075](#) [17-241361](#) [17-230471](#) [217B-BC02](#) [USB-29](#) [19800-010500-200-RS](#)