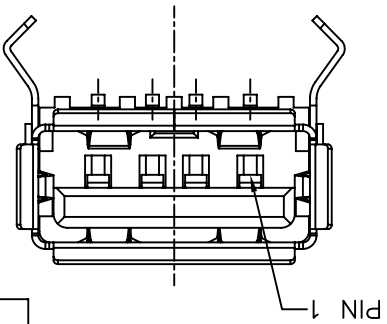
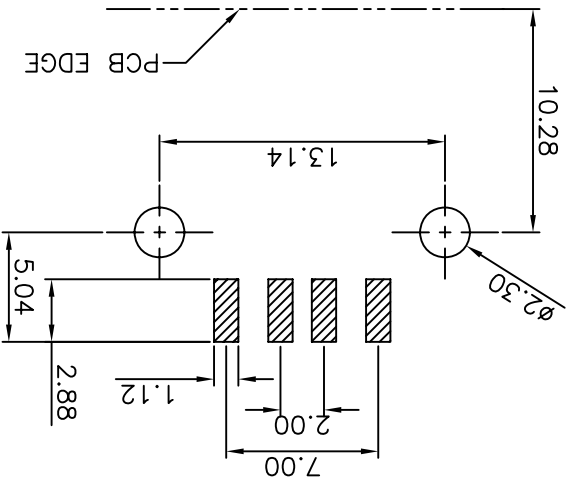


RECOMMEND PCB LAYOUT
(TOLERANCE=±0.05)



| | | | |
|---------------------------|--------------|-----------------------|-----------|
| DRAWING NO. C-DS1095-XXMX | | DRAWING TYPE CUSTOMER | |
| SCALE 1:1 | SHEET 1 OF 1 | X. ±0.60 | XX. ±0.25 |
| | | X. ±0.38 | X. ±0.25 |
| | | X. ±0.3 | XX. ±0.2 |
| | | X. ±0.5 | |
| GENERAL TOLERANCE | | ANGLE TOLERANCE | |

| | | | |
|-----------------------------------|--|------------------------------|--|
| CONNLY CONNLY ELECTRONIC CO., LTD | | CONNLY 电子有限公司 | |
| SHEET SIZE A4 | | SERIES DS1095 SERIES | |
| UNITS mm | | PROJECTION | |
| TITLE | | USB Female A TYPE SMT series | |

- NOTES:
- SPECIFICATIONS:
 - 1.0 CONTACT RESISTANCE: 30mΩ max.
 - 1.1 INSULATOR RESISTANCE: 1000MΩ min. AT DC 500V.
 - 1.2 CURRENT RATING: 1.5A.
 - 1.3 VOLTAGE RATING: 30V AC/DC.
 - 1.4 DIELECTRIC STRENGTH: AC 500V FOR 1 Minute.
 - 1.5 TEMPERATURE RANGE: -40~+105°C.
 - MATERIALS:
 - 2.0 HOUSING: HIGH TEMP. THERMOPLASTIC.
 - 2.1 CONTACT: COPPER ALLOY
 - 2.2 SHELL: COPPER ALLOY.
 - 2.3 PRODUCT NUMBER CODE: DS1095-X X X X
 - CONTACT PLATING
 - 0: Selective gold flash
 - 03: Selective gold 3u"
 - 30: Selective gold 30u"
 - MOUNTING TYPE M: SMT
 - SHELL PLATING:
 - N: Nickel
 - 6: Tin
 - COLOR OF HOUSING:
 - W: White
 - B: Black
 - SERIES No. DS1095

| | | | | | | | |
|------|---|-------------|-------------|--------------|-------|---------|----------|
| REV. | A | DESCRIPTION | NEW RELEASE | LJC 12/20/07 | DRAWN | CHECKED | APPROVED |
| | | | | | | | |

X-ON Electronics

Largest Supplier of Electrical and Electronic Components

Click to view similar products for [USB Cables / IEEE 1394 Cables](#) category:

Click to view products by [Connfly](#) manufacturer:

Other Similar products are found below :

[68768-0173](#) [FNY-W6003-01](#) [88764-0800](#) [13805532](#) [148700-1](#) [17-200621](#) [17-250051P](#) [954](#) [AC102012-2](#) [FNY-W6003-A5](#) [IP-USB1\(C10\)S-RW](#) [USBFTV7SA2G03A](#) [CABLE/RTP/USB/DT](#) [0847290003](#) [10115240-12200LF](#) [RS232-GTD](#) [USBFTVX2SA2N03A](#) [USBFTV2SA2N03A](#) [USBFTV2SA2N05A](#) [1689404-1](#) [FTP-629Y401](#) [FTP-628Y402](#) [943301-001](#) [FNY-W6022](#) [FNY-W6003-03](#) [1310-1015-05](#) [1310-1019-04](#) [0887283402](#) [UA-30AMFM-SL7B02](#) [UA-30AMFM-SL7B01](#) [UA-30AFM-LD7B03](#) [UA-30AMFM-SL7B03](#) [USBAPSCC7202A](#) [UES-1001A160](#) [UES-1003A160](#) [USBFTVX7SA2N20A](#) [USBFTVX2SA2N20A](#) [USBFTV2PEMSA2N10A](#) [FTP-629Y602](#) [USBCAMCM100](#) [USB A/F*2 to 2.54 2*5P-SH L=400mm](#) [EP-CBUSB10P2FLT](#) [1310-1033-01](#) [1310-1037-04](#) [68784-0075](#) [17-241361](#) [17-230471](#) [217B-BC02](#) [USB-29](#) [19800-010500-200-RS](#)