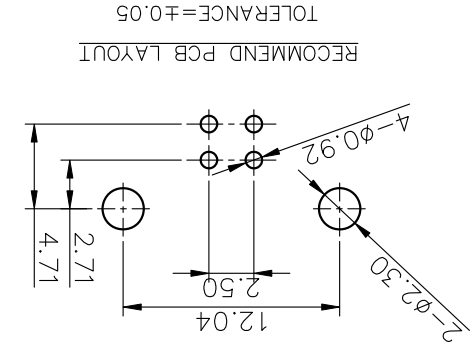
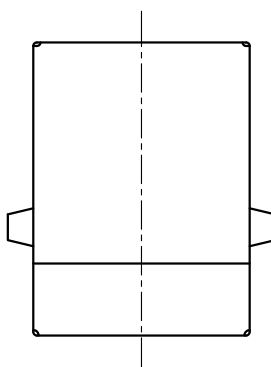
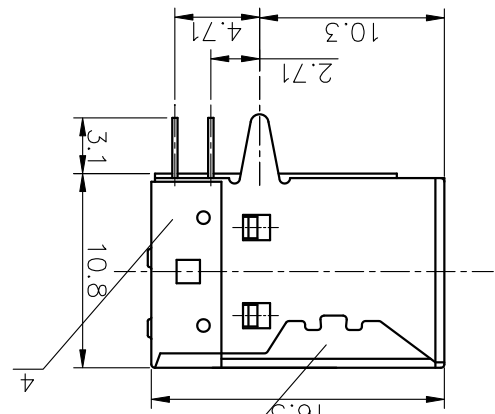
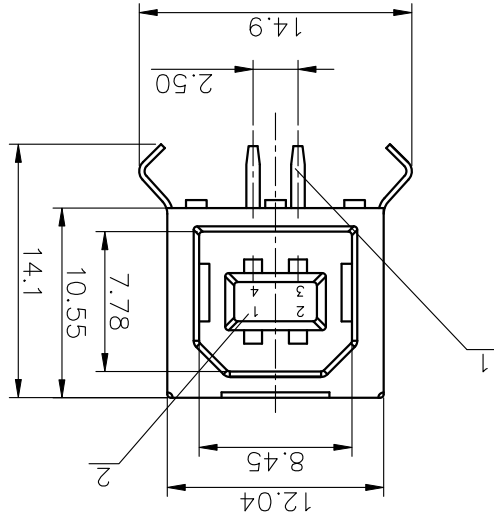


ITEM	PART NAME	MATERIALS	FINISHED
1	CONTACT	COPPER ALLOY	SEE NOTES
2	HOUSING	PBT	UL 94 V-0
3	FRONT SHELL	COPPER ALLOY OR STEEL	SEE NOTES
4	BACK SHELL	STEEL	SEE NOTES

DRAWING NO.	C-DS1099-XXX-X-B	
SCALE	1:1	SHEET 1 OF 1
DRAWING TYPE	CUSTOMER	
GENERAL TOLERANCE	X ±0.60	.XX ±0.25
ANGLE TOLERANCE	X ±5°	.XX ±2°

PROJECTION		TITLE	USB B TYPE R/A DIP TYPE
UNITS	mm	SHEET SIZE	A4
SERIES	DS1099 SERIES		

晨翔电子有限公司
CONNFLY ELECTRONIC CO., LTD



RECOMMEND PCB LAYOUT
TOLERANCE=±0.05

- NOTES:
- SPECIFICATIONS:
 - 1.0 CONTACT RESISTANCE: 30mΩ max.
 - 1.1 INSULATION RESISTANCE: 1000MΩ min.
 - 1.2 CURRENT RATING: 1.5A
 - 1.3 VOLTAGE RATING: 30VDC.
 - 1.4 DIELECTRIC WITHSTANDING VOLTAGE: AC 500V FOR 1 Minute.
 - MATERIALS:
 - 2.0 HOUSING: PBT+30% GLASS FIBER(UL 94-0).
 - 2.1 CONTACT: COPPER ALLOY
 - 2.2 SHELL: COPPER ALLOY OR STEEL.
 - PRODUCT NUMBER CODE: DS1099 - - X - - X
 - MATERIAL OF SHELL (B): Fe: Steel
 - N/A: Copper Alloy
 - CONTACT PLATING: 0: Selective Gold Flash, 03: Selective Gold 3u", 30: Selective Gold 30u"
 - SHELL PLATING: N: Nickel, 6: Tin
 - COLOR OF HOUSING: W: WHITE, B: BLACK
 - SERIES No. DS1099 series

REV.	DESCRIPTION	DRAWN	CHECKED	APPROVED
A	NEW RELEASE	LJH 05/10/05'		LJC 05/10/05'
B	ADD SHELL MATERIAL TYPE	JLZ 04/09/15'		

X-ON Electronics

Largest Supplier of Electrical and Electronic Components

Click to view similar products for [USB Cables / IEEE 1394 Cables](#) category:

Click to view products by [Connfly](#) manufacturer:

Other Similar products are found below :

[68768-0173](#) [FNY-W6003-01](#) [88764-0800](#) [13805532](#) [148700-1](#) [17-200621](#) [17-250051P](#) [954](#) [AC102012-2](#) [FNY-W6003-A5](#) [IP-USB1\(C10\)S-RW](#) [USBFTV7SA2G03A](#) [CABLE/RTP/USB/DT](#) [0847290003](#) [10115240-12200LF](#) [RS232-GTD](#) [USBFTVX2SA2N03A](#) [USBFTV2SA2N03A](#) [USBFTV2SA2N05A](#) [1689404-1](#) [FTP-629Y401](#) [FTP-628Y402](#) [943301-001](#) [FNY-W6022](#) [FNY-W6003-03](#) [1310-1015-05](#) [1310-1019-04](#) [0887283402](#) [UA-30AMFM-SL7B02](#) [UA-30AMFM-SL7B01](#) [UA-30AFM-LD7B03](#) [UA-30AMFM-SL7B03](#) [USBAPSCC7202A](#) [UES-1001A160](#) [UES-1003A160](#) [USBFTVX7SA2N20A](#) [USBFTVX2SA2N20A](#) [USBFTV2PEMSA2N10A](#) [FTP-629Y602](#) [USBCAMCM100](#) [USB A/F*2 to 2.54 2*5P-SH L=400mm](#) [EP-CBUSB10P2FLT](#) [1310-1033-01](#) [1310-1037-04](#) [68784-0075](#) [17-241361](#) [17-230471](#) [217B-BC02](#) [USB-29](#) [19800-010500-200-RS](#)