

LDO with Reverse Current Protection / Soft Start / Discharge Function

FEATURES

- AEC-Q100 Grade 1 Qualified
- Operating Voltage Range 2.3V to 6.5V
- Output Voltage Accuracy $V_O \pm 2.0\%$
- Output Current I_O (min.) = 500mA
- Reverse Current Protection
- Adjustable soft-start Function
- Discharge Function
- ON/OFF Control
- Correspond to Low ESR capacitor (MLCC)
- Thermal Shutdown Circuit
- Over Current Protection Circuit
- Package DFN8-WA (ESON8-WA)

GENERAL DESCRIPTION

The NJM12884 is a low dropout regulator which achieves high ripple rejection, low noise and high speed response with the bipolar technology.

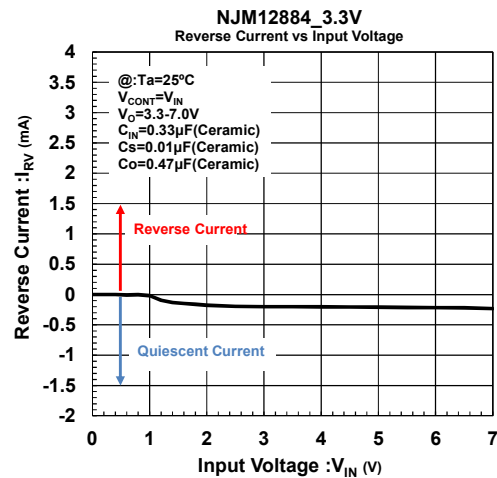
Adjustable soft-start function is useful for reducing inrush current and controlling power-on sequence. Moreover the discharge function makes effective sequence control with the soft-start function.

In addition, the reverse current protection makes external SBD unnecessary.

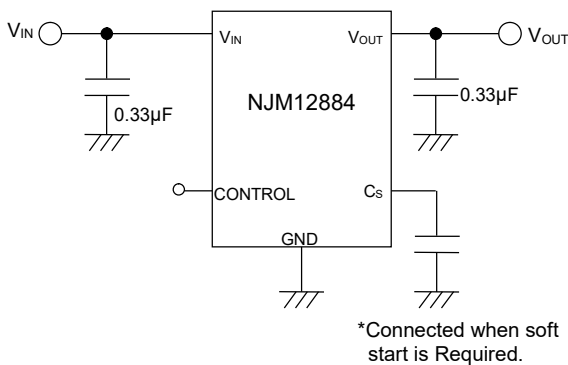
APPLICATION

- Automotive infotainment
- Automotive ECU unit
- Industrial equipment

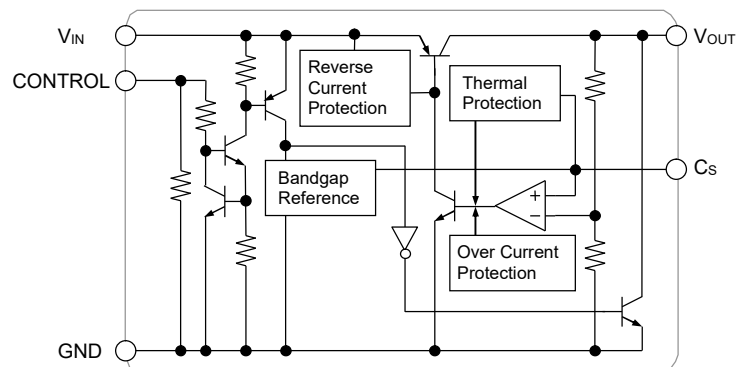
REVERSE CURRENT PROTECTION CHARACTERISTICS



TYPICAL APPLICATION



BLOCK DIAGRAM



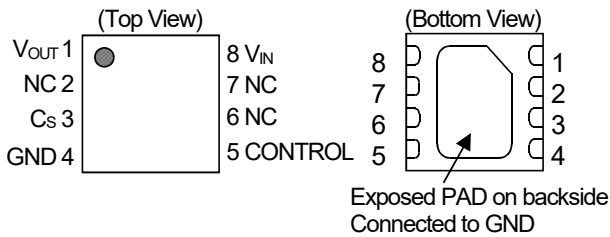
■ OUTPUT VOLTAGE RANK

DFN8-WA (ESON8-WA)

| STATUS | PART NUMBER | OUTPUT VOLTAGE | STATUS | PART NUMBER | OUTPUT VOLTAGE |
|--------|------------------|----------------|--------|------------------|----------------|
| PLAN | NJM12884KWA-15-H | 1.5V | M.P. | NJM12884KWA-33-H | 3.3V |
| PLAN | NJM12884KWA-18-H | 1.8V | PLAN | NJM12884KWA-05-H | 5.0V |
| PLAN | NJM12884KWA-25-H | 2.5V | | | |

■ PIN CONFIGURATION

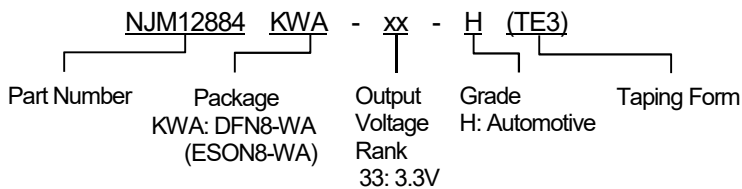
DFN8-WA (ESON8-WA)



| PIN NO. | SYMBOL | DESCRIPTION |
|---------|-----------|----------------------------|
| 1 | V_{OUT} | Output |
| 2 | NC | Not internally connected * |
| 3 | Cs | Soft Start |
| 4 | GND | Ground |
| 5 | CONTROL | ON/OFF Control |
| 6 | NC | Not internally connected * |
| 7 | NC | Not internally connected * |
| 8 | V_{IN} | Input |

Note) NC pin is not connect to internally circuit. This pin can be open or connected to ground. Connecting to ground is recommended to improve thermal dissipation.

■ PRODUCT NAME INFORMATION



* The detail information of automotive grades and recommended applications are described in NJR website. (https://www.njr.com/electronic_device/semiconductor/application/automotive.html.)

■ ORDERING INFORMATION

| PART NUMBER | OUTPUT VOLTAGE | PACKAGE OUTLINE | RoHS | HALOGEN-FREE | TERMINAL FINISH | MARKING | WEIGHT (mg) | MOQ (pcs) |
|------------------------|----------------|--------------------|------|--------------|-----------------|---------|-------------|-----------|
| NJM12884KWA-33-H (TE3) | 3.3V | DFN8-WA (ESON8-WA) | Yes | Yes | Sn2Bi | 88433 | 18 | 3000 |

Note) "-" is non-evaluation. Please contact your sales representative for more information.

■ ABSOLUTE MAXIMUM RATINGS

| PARAMETER | SYMBOL | RATING | | UNIT |
|---|------------|---|-------------|------|
| Input Voltage | V_{IN} | -0.3 to 7 | | V |
| Control Pin Voltage | V_{CONT} | -0.3 to 7 | | V |
| Output Voltage | V_{OUT} | $V_O \leq 1.8V$ | -0.3 to 5.5 | V |
| | | $V_O > 1.8V$ | -0.3 to 7 | V |
| Soft start Pin Voltage | V_{CS} | -0.3 to 4 | | V |
| Power Dissipation (Ta=25°C) DFN8-WA (ESON8-WA) | P_D | 2-Layer / 4-Layer 610 ⁽¹⁾ / 1800 ⁽²⁾ | | mW |
| Junction Temperature | T_J | -40 to 150 | | °C |
| Operating Temperature | T_{opr} | -40 to 125 | | °C |
| Storage Temperature | T_{stg} | -50 to 150 | | °C |

(1) Mounted on glass epoxy board. (101.5×114.5×1.6mm: based on EIA/JEDEC standard, 2Layers FR-4, with Exposed Pad)

(2) Mounted on glass epoxy board. (101.5×114.5×1.6mm: based on EIA/JEDEC standard, 4Layers FR-4, with Exposed Pad)

(For 4Layers: Applying 99.5×99.5mm inner Cu area and thermal via holes to a board based on JEDEC standard JESD51-5)

■ RECOMMENDED OPERATING CONDITIONS

| PARAMETER | SYMBOL | VALUE | UNIT |
|-------------------------|------------|------------|------|
| Operating Voltage Range | V_{IN} | 2.3 to 6.5 | V |
| Control Voltage | V_{CONT} | 0 to 6.5 | V |

■ ELECTRICAL CHARACTERISTICS

$V_{IN}=V_O+1V$, $C_{IN}=0.33\mu F$, $C_O=0.33\mu F$ ($C_O=0.47\mu F$: $2.9V < V_O \leq 3.4V$, $C_O=2.2\mu F$: $1.7V < V_O \leq 2.9V$, $C_O=4.7\mu F$: $V_O \leq 1.7V$), $C_S=0.01\mu F$, $T_a=25^\circ C$, unless other noted.

| PARAMETER | SYMBOL | TEST CONDITIONS | MIN | TYP | MAX | UNIT |
|---|----------------------------|---|-------|----------|-------|-----------------|
| Output Voltage | V_O | $I_O=100mA$ | -1.0% | - | +1.0% | V |
| | | $I_O=100mA$, $T_a=-40^\circ C$ to $125^\circ C$ | -2.0% | - | +2.0% | |
| Quiescent Current | I_Q | $I_O=0mA$, except I_{CONT} | - | 200 | 280 | μA |
| | | $I_O=0mA$, except I_{CONT} , $T_a=-40^\circ C$ to $125^\circ C$ | - | - | 300 | |
| Quiescent Current at OFF-state | $I_{Q(OFF)}$ | $V_{CONT}=0V$ | - | - | 10 | μA |
| | | $V_{CONT}=0V$, $T_a=-40^\circ C$ to $125^\circ C$ | - | - | 20 | |
| Output Current | I_O | $V_O \times 0.9V$ | 500 | - | - | mA |
| | | $V_O \times 0.9V$, $T_a=-40^\circ C$ to $125^\circ C$ | 500 | - | - | |
| Line Regulation | $\Delta V_O/\Delta V_{IN}$ | $V_{IN}=V_O+1V$ to $6.5V$, $I_O=100mA$, $V_O=3.3V$ | - | - | 7.3 | mV |
| | | $V_{IN}=V_O+1V$ to $6.5V$, $I_O=100mA$, $T_a=-40^\circ C$ to $125^\circ C$, $V_O=3.3V$ | - | - | 15 | |
| Load Regulation | $\Delta V_O/\Delta I_O$ | $I_O=0mA$ to $500mA$, $V_O=3.3V$ | - | - | 83 | mV |
| | | $I_O=0mA$ to $500mA$, $T_a=-40^\circ C$ to $125^\circ C$, $V_O=3.3V$ | - | - | 165 | |
| Dropout Voltage ⁽³⁾ | ΔV_{IO} | $I_O=300mA$ | - | 0.18 | 0.25 | V |
| | | $I_O=300mA$, $T_a=-40^\circ C$ to $125^\circ C$ | - | - | 0.35 | |
| Average Temperature Coefficient of Output Voltage | $\Delta V_O/\Delta T_a$ | $I_O=100mA$, $T_a=-40^\circ C$ to $125^\circ C$ | - | ± 50 | - | ppm/ $^\circ C$ |
| Ripple Rejection | RR | $e_{in}=200mV_{rms}$, $f=1kHz$, $I_O=10mA$, $V_O=3.3V$ | - | 68 | - | dB |
| Output Noise Voltage | V_{NO} | $f=10Hz$ to $80kHz$, $I_O=10mA$, $V_O=3.3V$ | - | 28 | - | μV_{rms} |
| Control Current | I_{CONT} | $V_{CONT}=1.6V$ | - | 3 | 12 | μA |
| | | $V_{CONT}=1.8V$, $T_a=-40^\circ C$ to $125^\circ C$ | - | - | 20 | |
| Control Voltage at ON-state | $V_{CONT(ON)}$ | | 1.6 | - | - | V |
| | | $T_a=-40^\circ C$ to $125^\circ C$ | 1.8 | - | - | |
| Control Voltage at OFF-state | $V_{CONT(OFF)}$ | | - | - | 0.6 | V |
| | | $T_a=-40^\circ C$ to $125^\circ C$ | - | - | 0.5 | |
| Soft Start Time | $t_{S(ON)}$ | $V_{CONT}=L \rightarrow H$, $I_O=100mA$, $C_S=0.022\mu F$ | - | 1.2 | - | msec |
| Discharge Current at OFF-state | I_{DIS} | $V_{IN}=2.3V$, $V_{CONT}=0V$, $V_O=0.5V$ | 2 | 9 | - | mA |
| | | $V_{IN}=6.5V$, $V_{CONT}=0V$, $V_O=0.5V$ | 15 | 25 | - | |

(3) Except Output Voltage Rank less than 2.1V

The above specifications are common specifications for all output voltages. Therefore, it may be different from the individual specification for a specific output voltage.

■ THERMAL CHARACTERISTICS

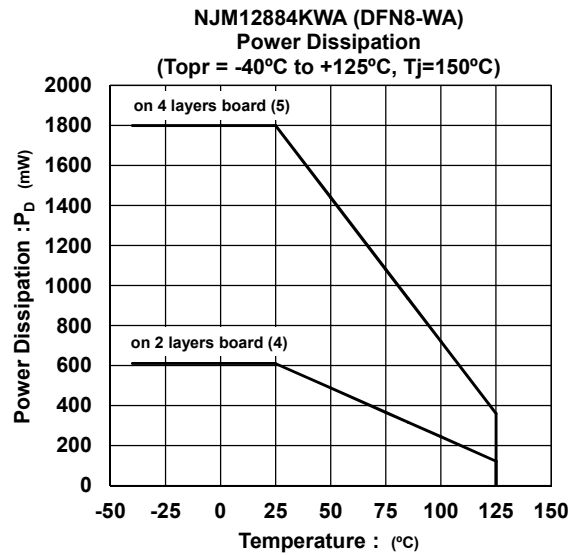
| PARAMETER | SYMBOL | VALUE | UNIT |
|---|---------------|---|-----------------------------|
| Junction-To-Ambient Thermal Resistance DFN8-WA (ESON8-WA) | θ_{ja} | 2-Layer / 4-Layer 205 ⁽⁴⁾ / 70 ⁽⁵⁾ | $^{\circ}\text{C}/\text{W}$ |
| Junction-To-Top of Package Characterization Parameter DFN8-WA (ESON8-WA) | ψ_{jt} | 2-Layer / 4-Layer 29 ⁽⁴⁾ / 18 ⁽⁵⁾ | $^{\circ}\text{C}/\text{W}$ |

(4) Mounted on glass epoxy board. (101.5×114.5×1.6mm: based on EIA/JEDEC standard, 2Layers FR-4, with Exposed Pad)

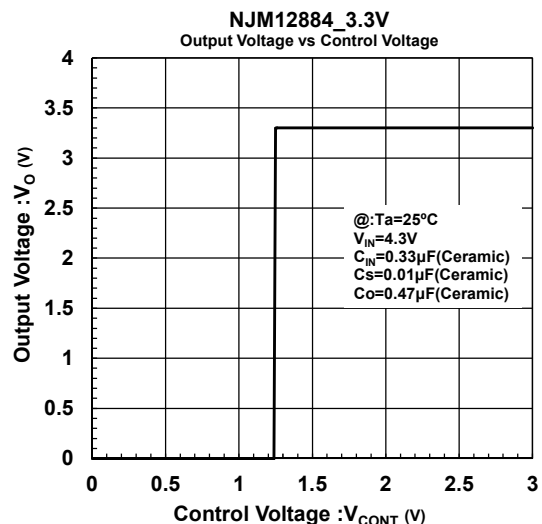
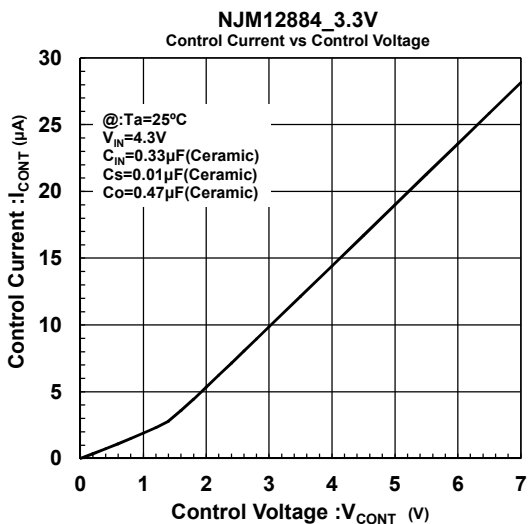
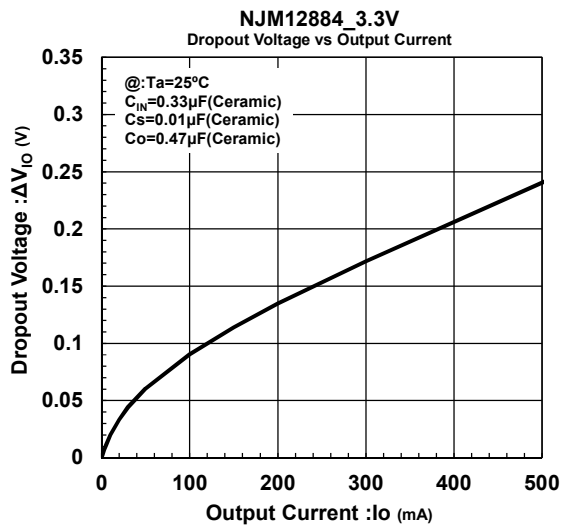
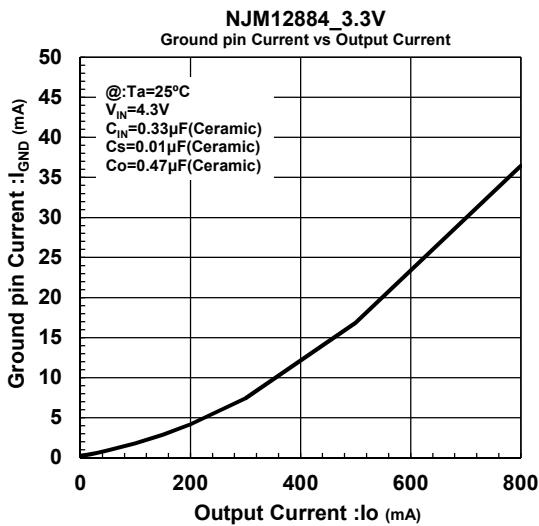
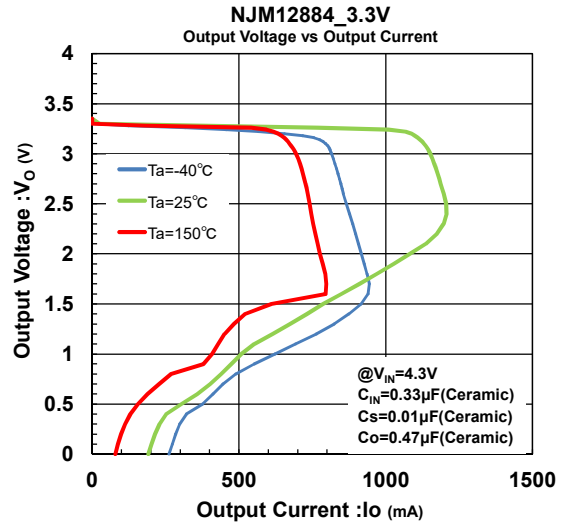
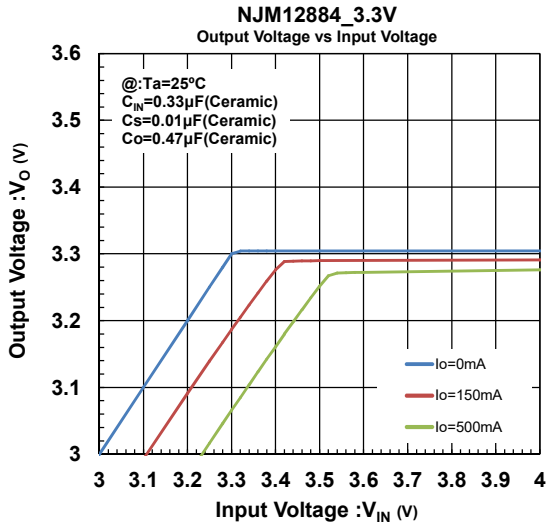
(5) Mounted on glass epoxy board. (101.5×114.5×1.6mm: based on EIA/JEDEC standard, 4Layers FR-4, with Exposed Pad)

(For 4Layers: Applying 99.5×99.5mm inner Cu area and thermal via holes to a board based on JEDEC standard JESD51-5)

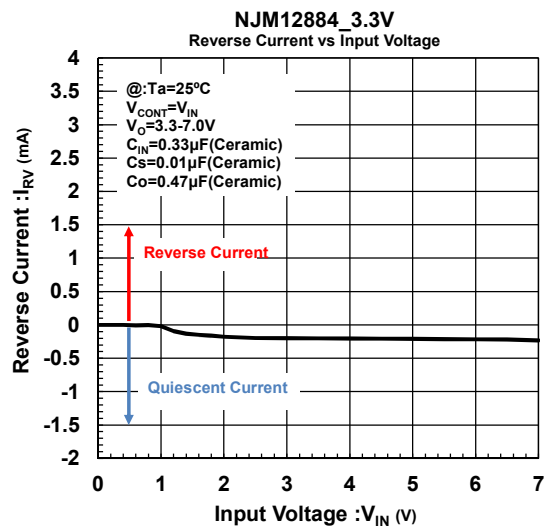
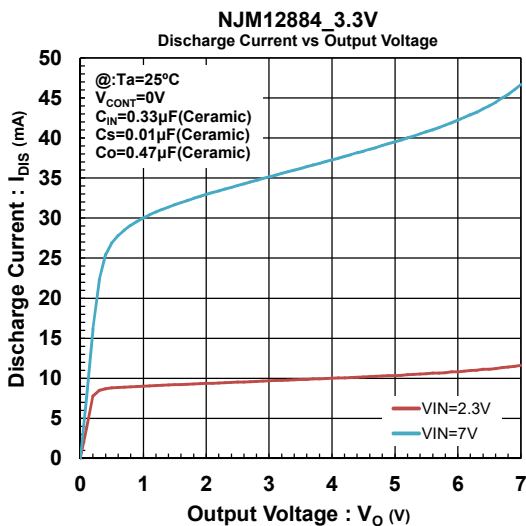
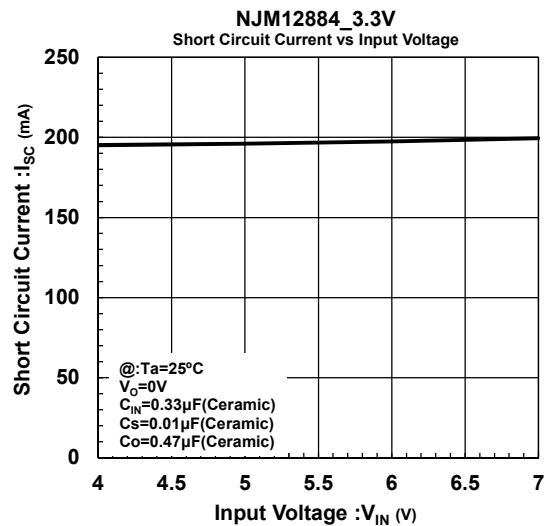
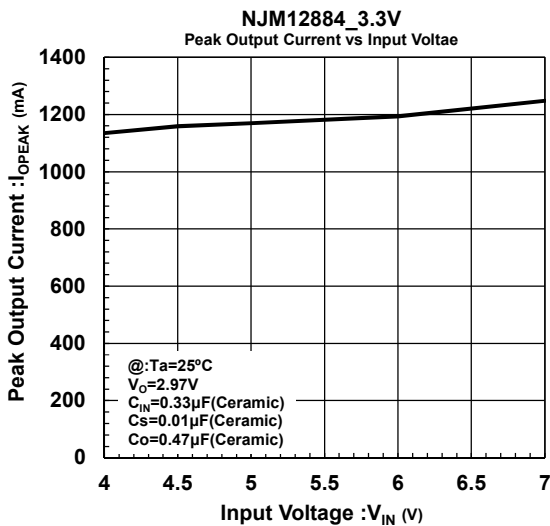
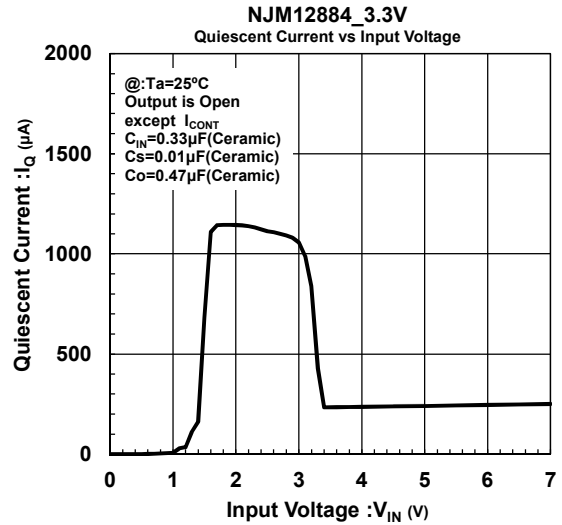
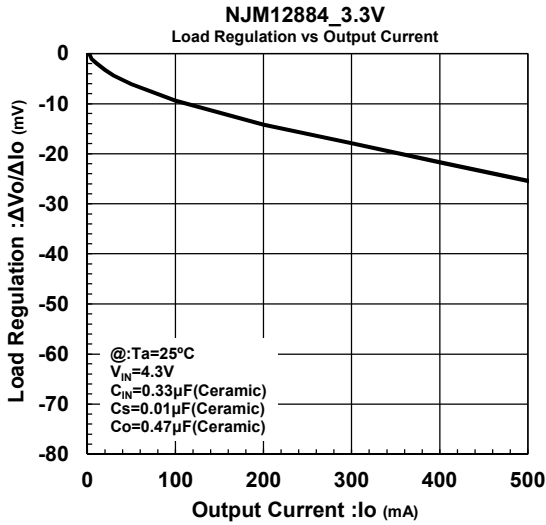
■ POWER DISSIPATION vs. AMBIENT TEMPERATURE



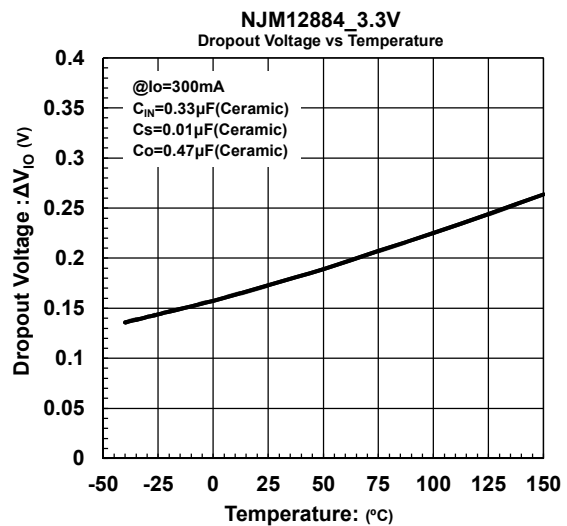
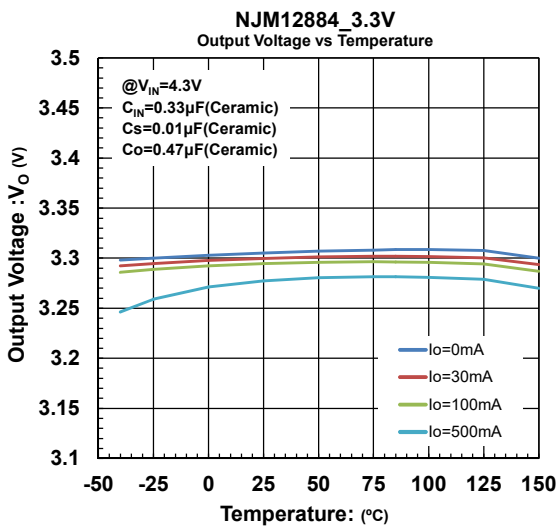
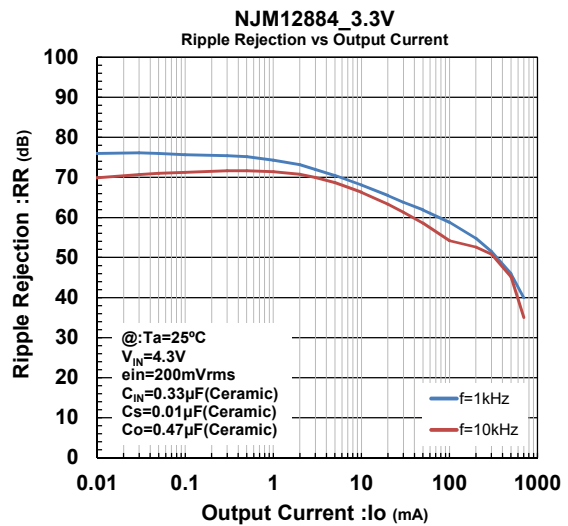
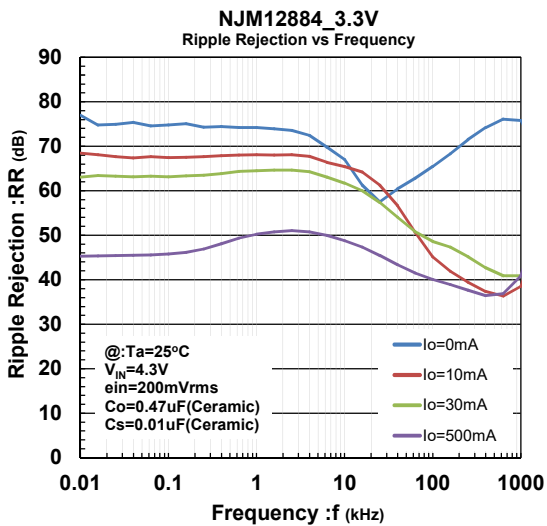
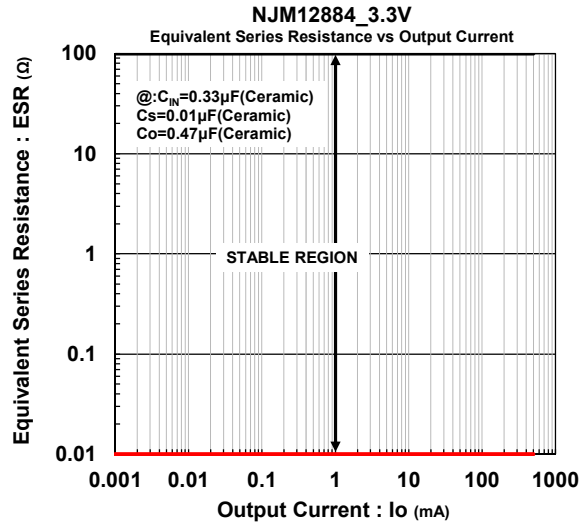
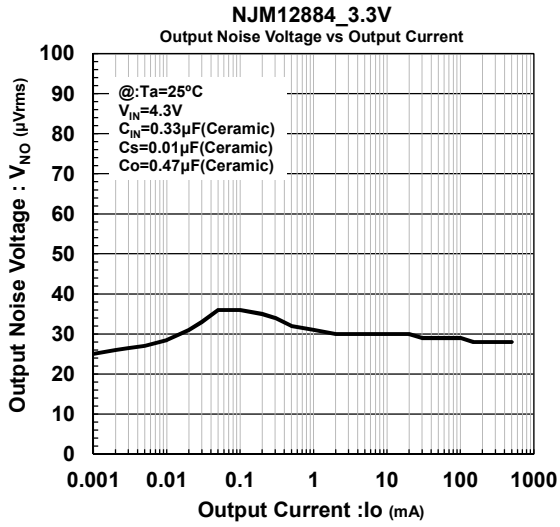
■ TYPICAL CHARACTERISTICS



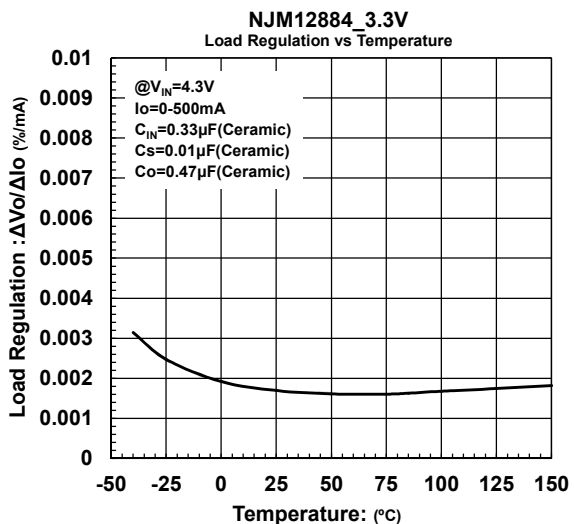
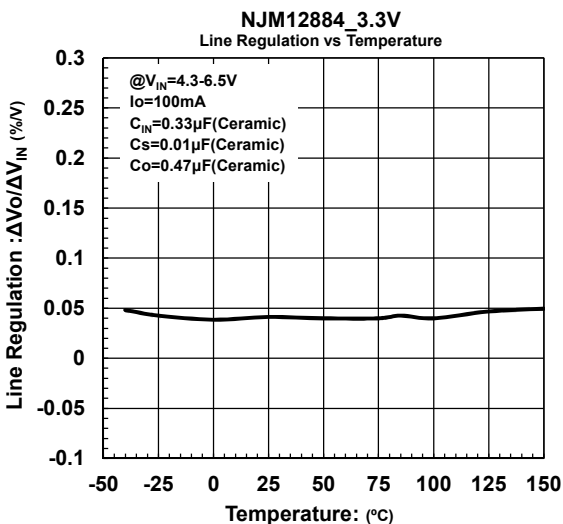
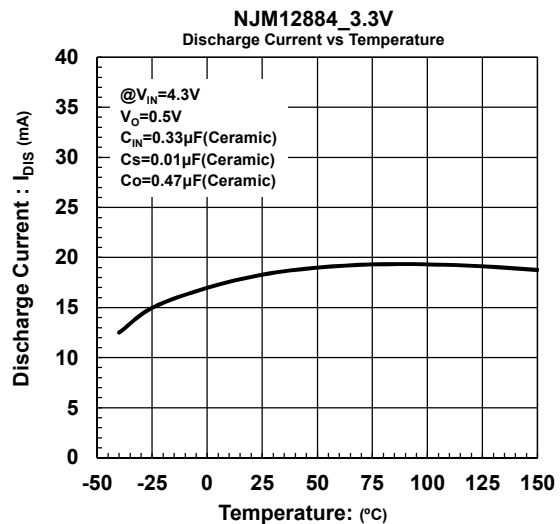
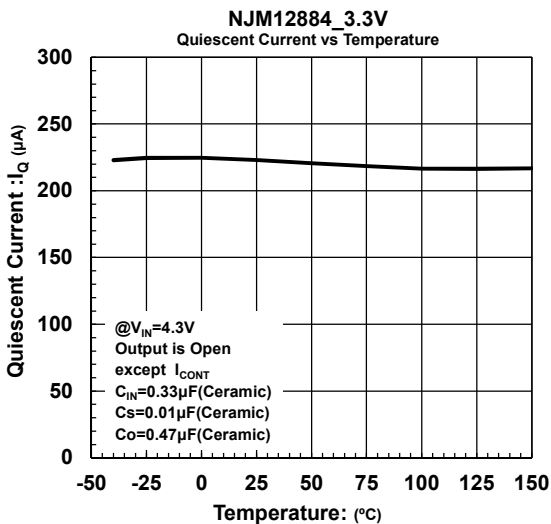
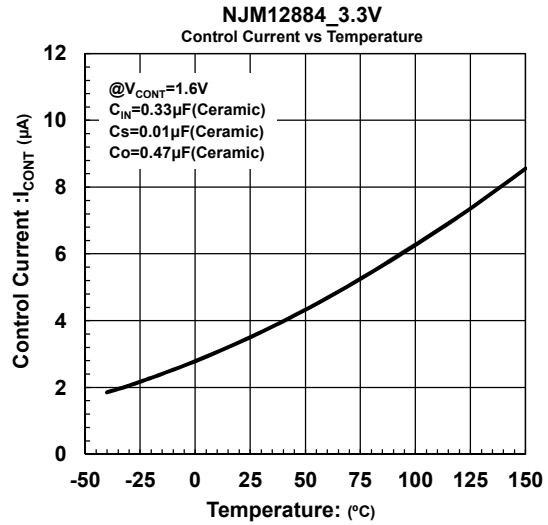
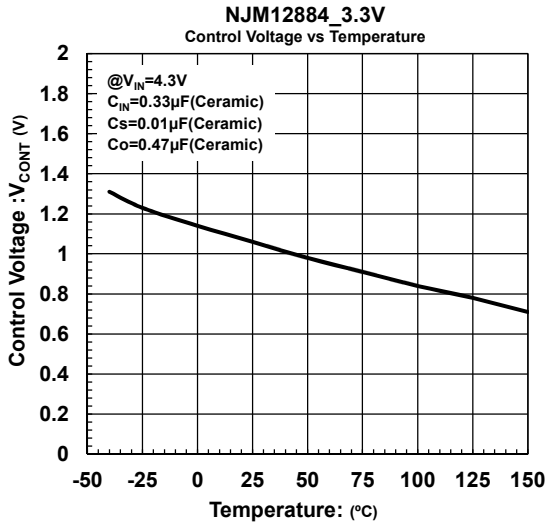
TYPICAL CHARACTERISTICS



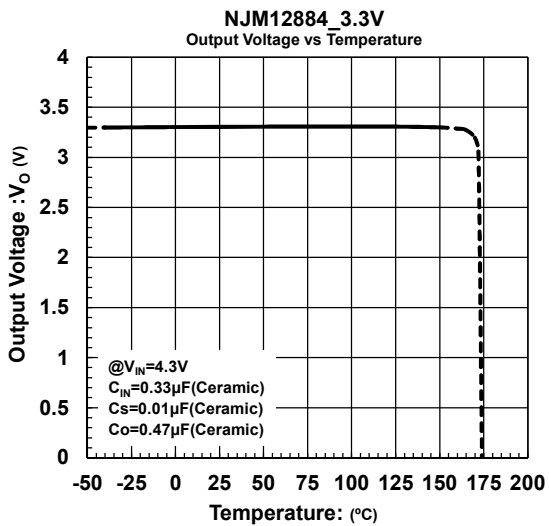
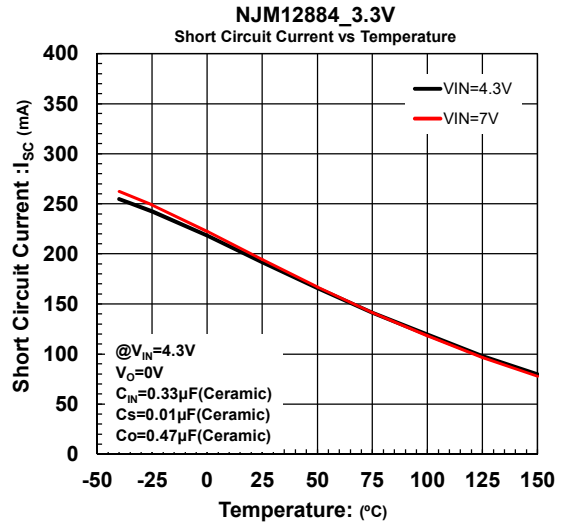
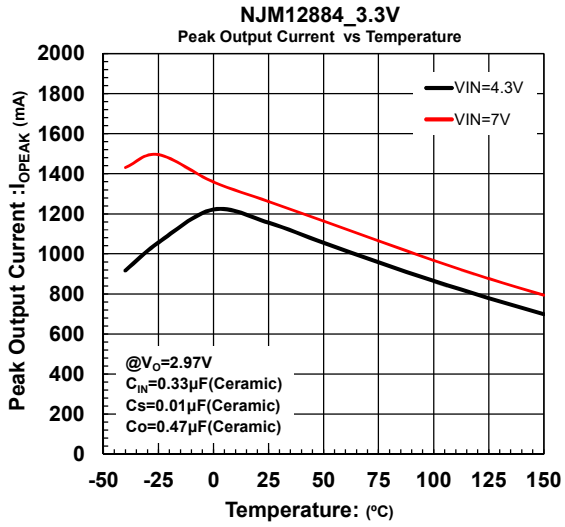
■ TYPICAL CHARACTERISTICS



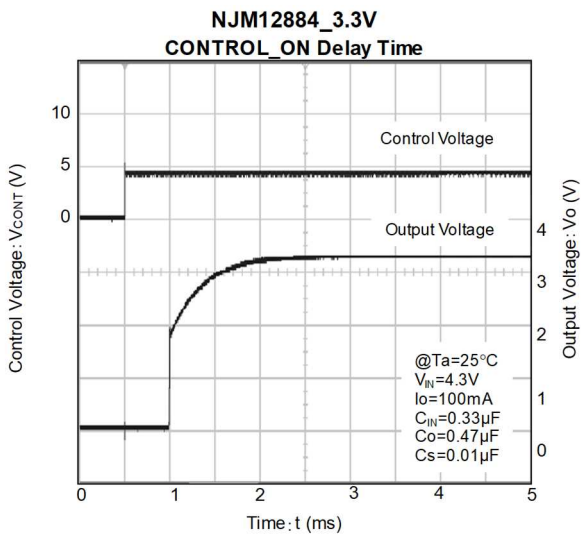
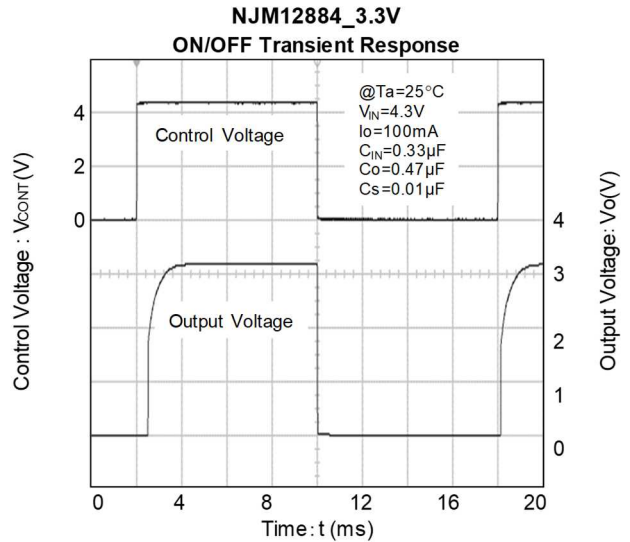
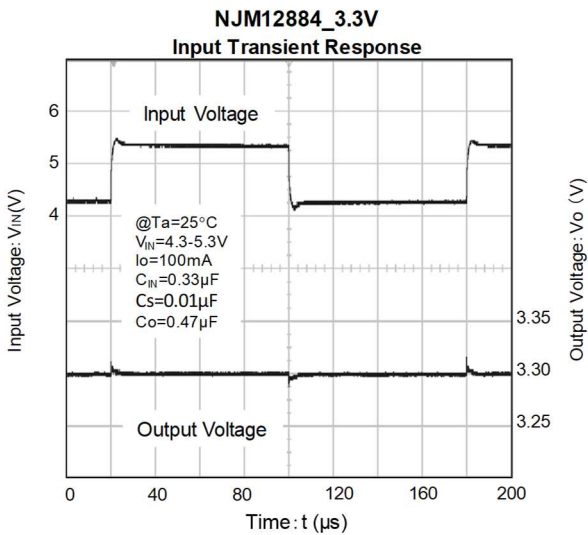
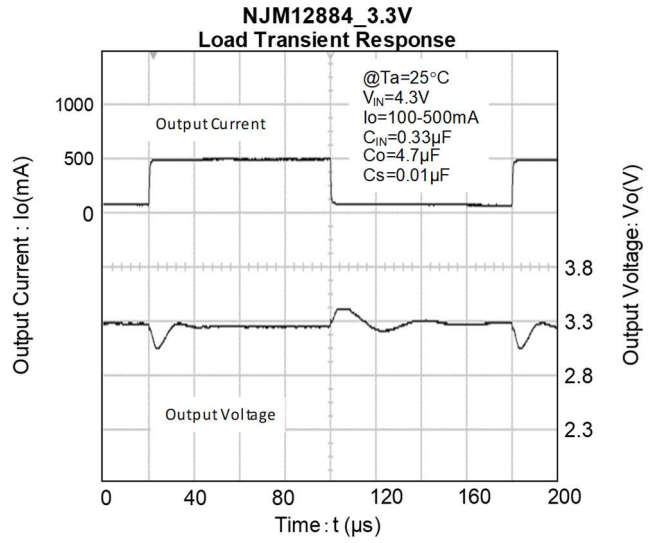
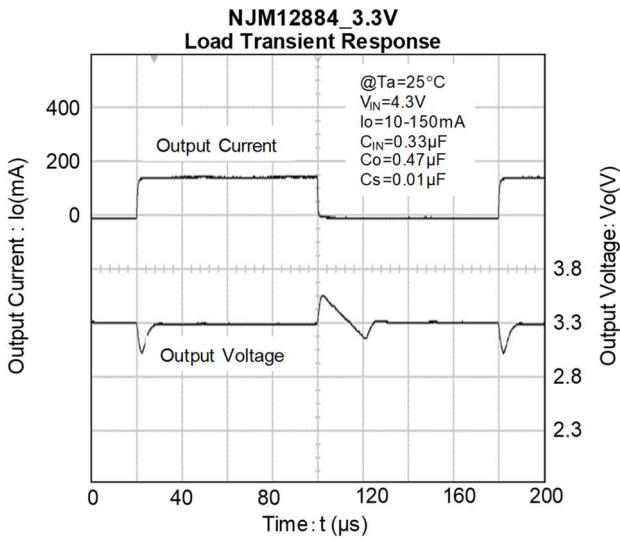
■ TYPICAL CHARACTERISTICS



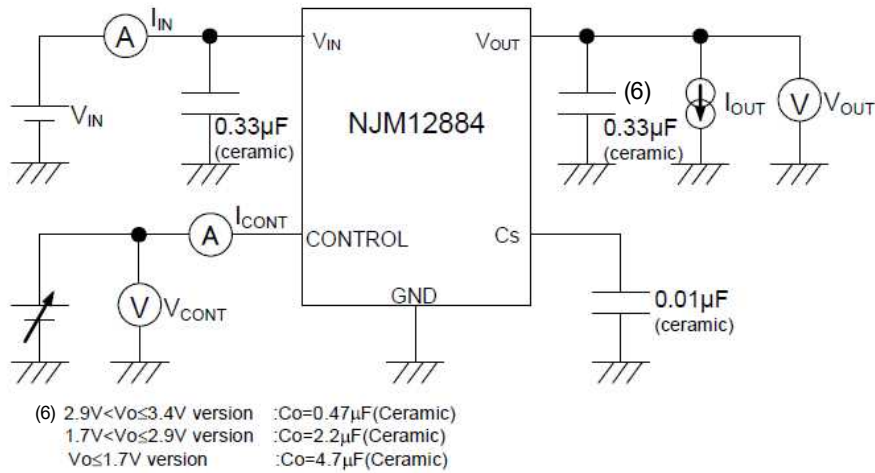
■ TYPICAL CHARACTERISTICS



■ TYPICAL CHARACTERISTICS

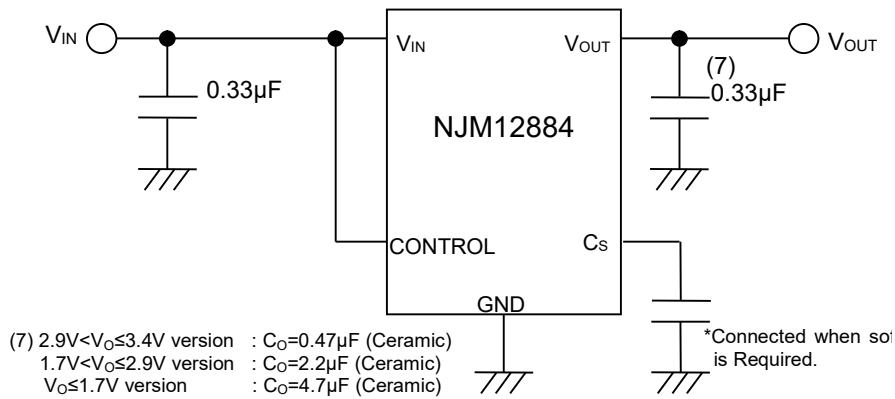


■ TEST CIRCUIT



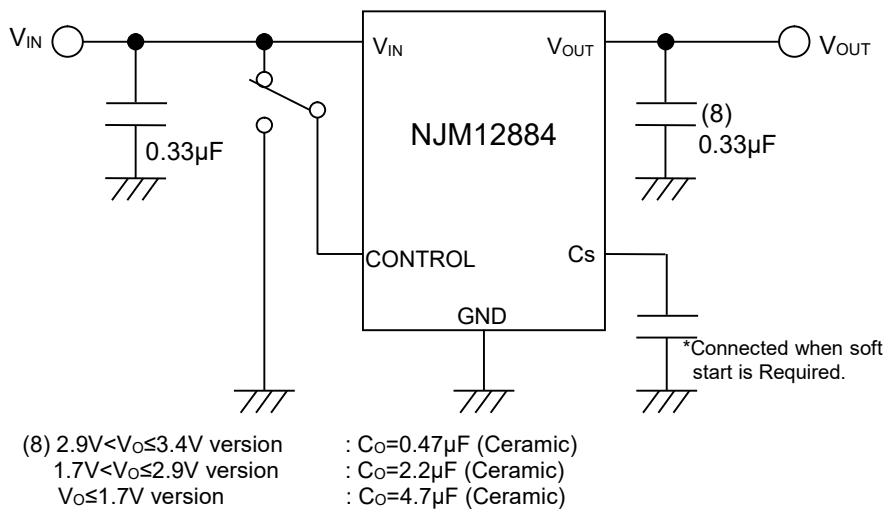
■ TYPICAL APPLICATION

1. In the case where ON/OFF Control is not required



Connect CONTROL Pin to V_{IN} Pin

2. In use of ON/OFF CONTROL



State of CONTROL Pin:

“H” → output is enabled.

“L” or “open” → output is disabled

APPLICATION NOTE / GLOSSARY

Reverse Current Protection

The NJM12884 has built-in Reverse Current Protection circuit.

This circuit prevents the large reverse current when output voltage is higher than input voltage.

Therefore external schottky-barrier diode (SBD) is not required

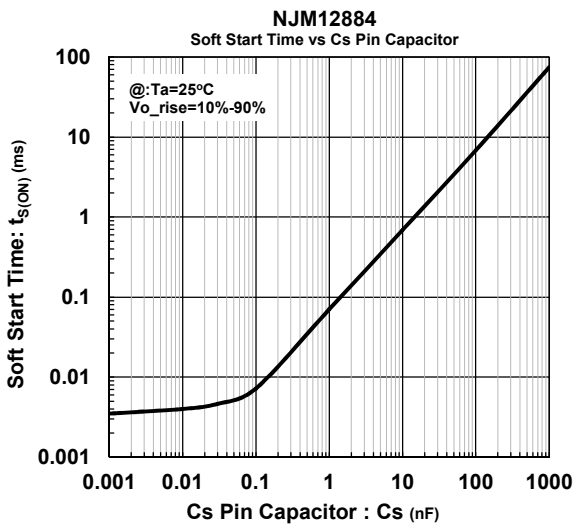
Soft Start capacitor C_s

The Soft Start function can control the rise time of Output Voltage and reduce the inrush current by connecting the C_s capacitor.

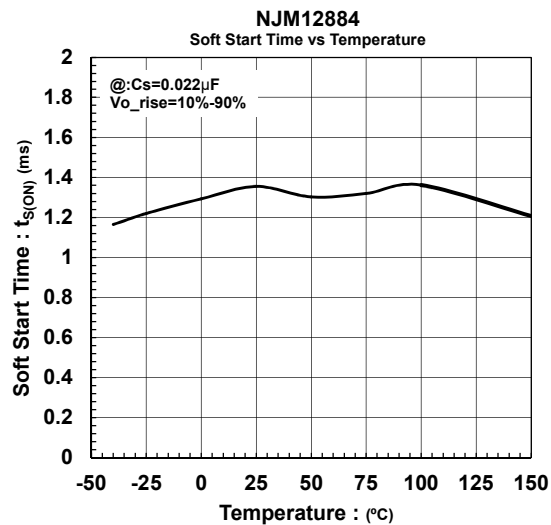
The Soft Start time is defined as 10% to 90% of the Output Voltage.

The C_s capacitor is not essential, but it used for noise bypass of bandgap reference either. Therefore Output Noise Voltage increases when the capacitor isn't connected.

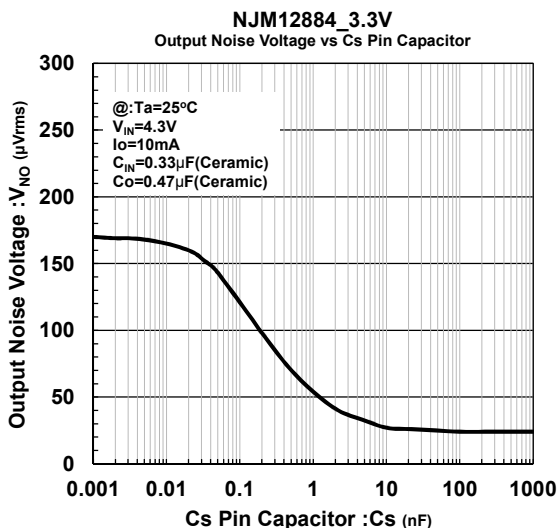
If the C_s capacitor is not used, the C_s Pin should be OPEN.



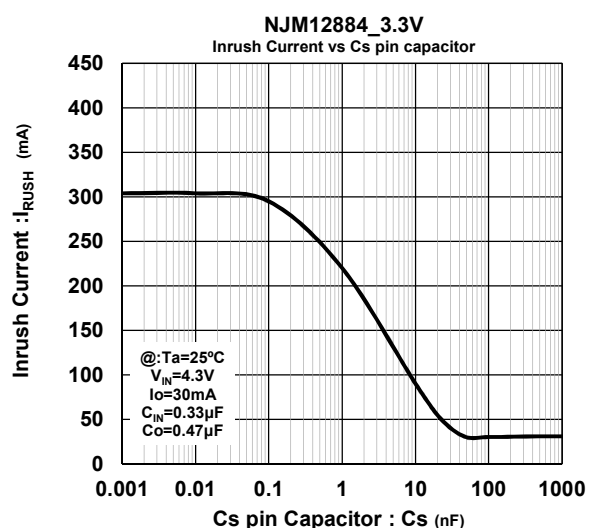
Soft-Start Time vs. C_s Pin Capacitor



Soft-Start Time (0.022 μ F) vs. Temperature



Output Noise Voltage vs. C_s Pin Capacitor

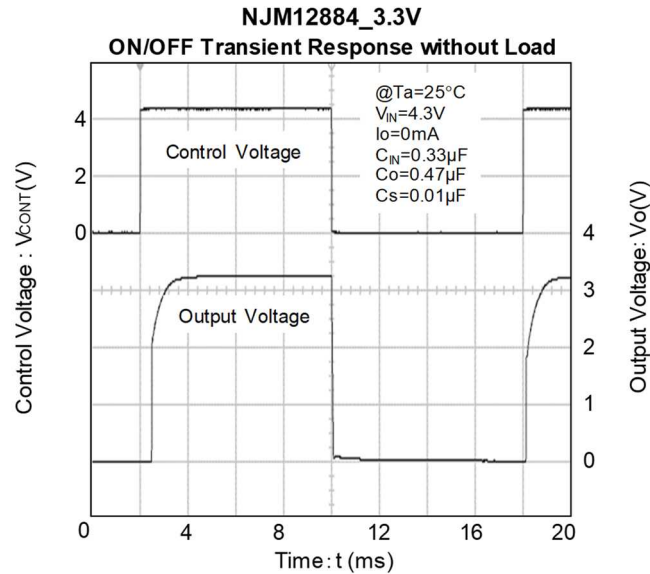


Inrush Current vs. C_s Pin Capacitor

Discharge Function

The NJM12884 has a built-in discharge circuit to discharge the charged output capacitors.

Discharge circuit operates when the CONTROL Pin is set in LOW level. The circuit discharges the charged output capacitors rapidly.



Input Capacitor C_{IN}

The input capacitor C_{IN} is required in order to prevent oscillation and reduce power supply ripple of applications when high power supply impedance or a long power supply line.

Therefore, the recommended capacitance (refer to conditions of ELECTRIC CHARACTERISTIC) or larger input capacitor, connected between V_{IN} and GND as short path as possible, is recommended in order to avoid the problem.

Output Capacitor C_O

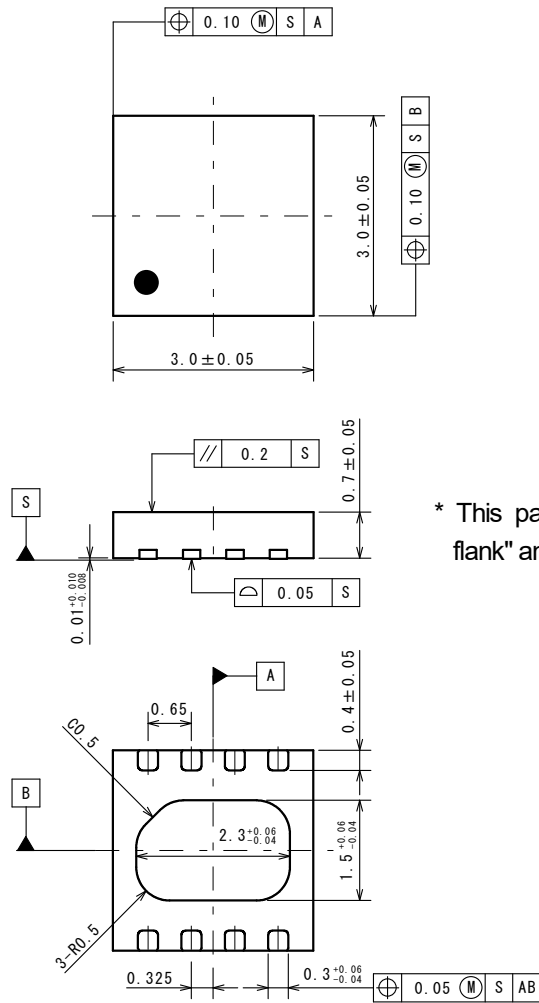
The output capacitor C_O is required for a phase compensation of the internal error amplifier, and the capacitance and the equivalent series resistance (ESR) influence stable operation of the regulator.

If use a smaller output capacitor than the recommended capacitance (refer to conditions of ELECTRIC CHARACTERISTIC), it may cause excess output noise or oscillation of the regulator due to lack of the phase compensation. Therefore, the recommended capacitance or larger output capacitor, connected between V_{OUT} and GND as short path as possible, is recommended for stable operation. The recommended capacitance may be different by output voltage, therefore confirm the recommended capacitance of the required output voltage.

Furthermore, a larger output capacitor reduces output noise and ripple output, and also improves Output Transient Response when a load changes rapidly.

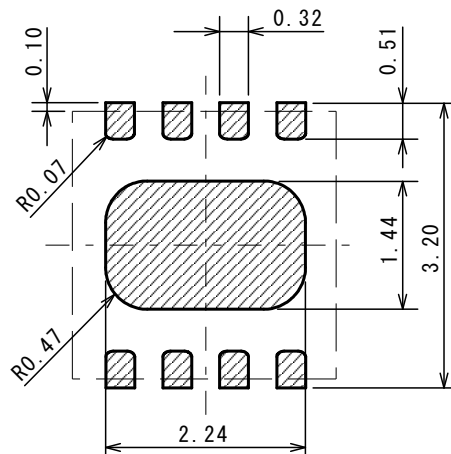
Selecting the output capacitor, should consider varied characteristics of a capacitor: frequency characteristics, temperature characteristics, DC bias characteristics and so on. Therefore, the capacitor that has a sufficient margin of the rated voltage against the output voltage and superior temperature characteristics, is recommended for C_O.

■ PACKAGE OUTLINE
DFN8-WA (ESON8-WA)



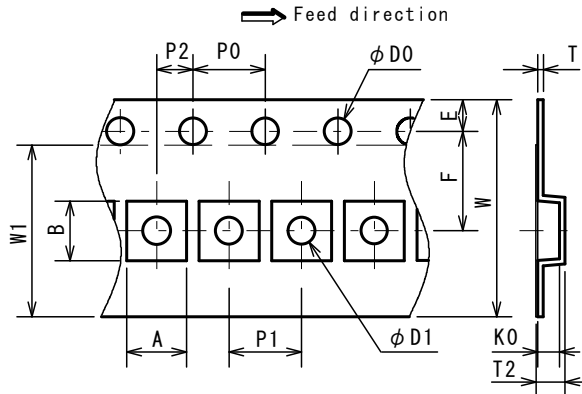
* This package is not correspond "Wettable flank" and side of terminal is not plated.

■ SOLDER FOOT PRINT
DFN8-WA (ESON8-WA)



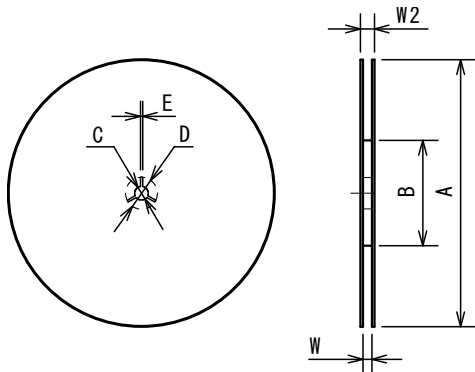
■ PACKING SPEC
TAPING DIMENSIONS

Unit: mm



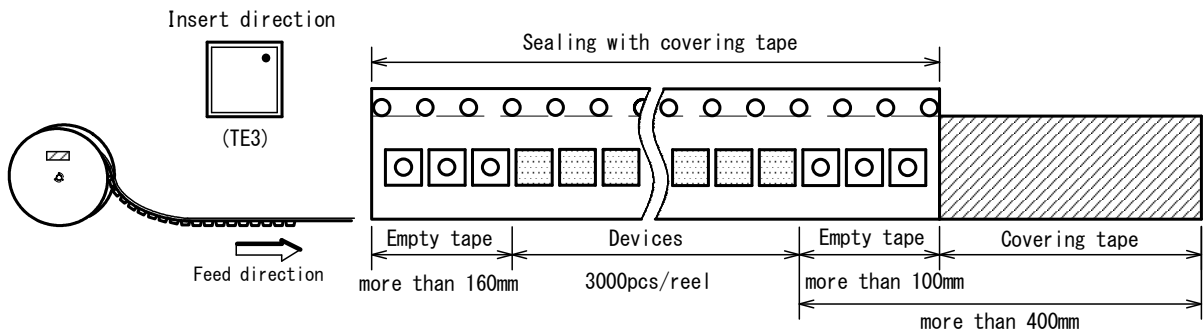
| SYMBOL | DIMENSION | REMARKS |
|--------|-----------------------------------|------------------|
| A | 3.3±0.1 | BOTTOM DIMENSION |
| B | 3.3±0.1 | BOTTOM DIMENSION |
| D0 | 1.5 ^{+0.1} ₀ | |
| D1 | 1.5 ^{+0.1} ₀ | |
| E | 1.75±0.1 | |
| F | 5.5±0.05 | |
| P0 | 4.0±0.1 | |
| P1 | 8.0±0.1 | |
| P2 | 2.0±0.05 | |
| T | 0.30±0.05 | |
| T2 | 1.26±0.11 | |
| K0 | 0.9±0.05 | |
| W | 12.0 ^{+0.3} ₀ | |
| W1 | 9.5 | THICKNESS 0.1max |

REEL DIMENSIONS

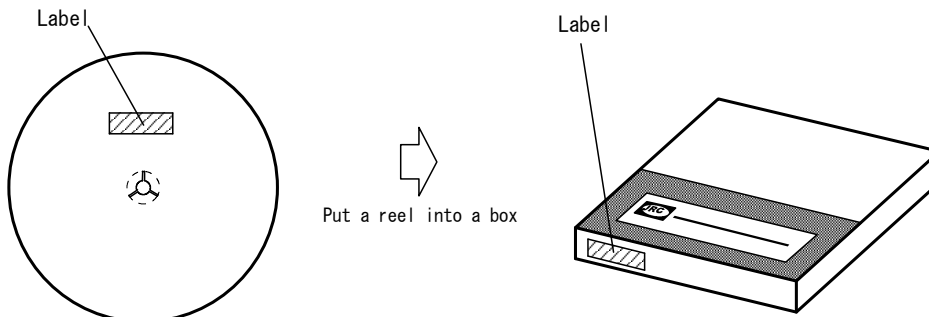


| SYMBOL | DIMENSION |
|--------|-----------|
| A | φ 254±2 |
| B | φ 100±1 |
| C | φ 13±0.2 |
| D | φ 21±0.8 |
| E | 2±0.5 |
| W | 13.5±1 |
| W2 | 17.5±1 |

TAPING STATE

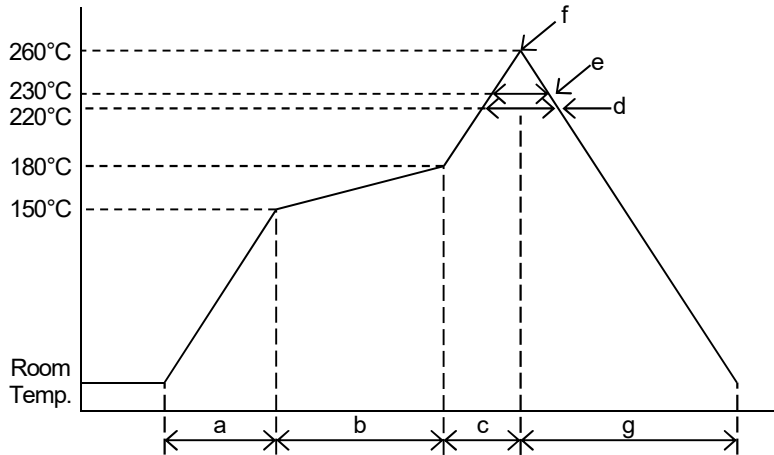


PACKING STATE



RECOMMENDED MOUNTING METHOD

INFRARED REFLOW SOLDERING PROFILE



| | | |
|---|---|----------------------------|
| a | Temperature ramping rate | 1 to 4°C/s |
| b | Pre-heating temperature Pre-heating time | 150 to 180°C 60 to 120s |
| c | Temperature ramp rate | 1 to 4°C/s |
| d | 220°C or higher time | shorter than 60s |
| e | 230°C or higher time | shorter than 40s |
| f | Peak temperature | lower than 260°C |
| g | Temperature ramping rate | 1 to 6°C/s |

The temperature indicates at the surface of mold package.

REVISION HISTORY

| DATE | REVISION | CHANGES |
|-------------|----------|--|
| 22.Jun.2016 | Ver.1.0 | New Release Automotive "H" spec. |
| 7.Jul.2016 | Ver.1.1 | Added output voltage lineup. Reconsidered significant figures in Line/Load Regulation |
| 12.Apr.2017 | Ver.2.0 | Revised the package outline as leads length extended 0.3 to 0.4mm in order to strengthen BLR and changed the package name DFN8-W2 to DFN8-WA. Along with this revise, renamed the part number NJM12884KW2 to NJM12884KWA and renamed package names in related section. Revised the MOQ in ORDERING INFORMATION from 1500 to 3000pcs. Along with this revise, revised the related values of REEL DIMENSIONS, TAPING STATE and PACKING STATE in PACKING SPEC. |
| 7.Aug.2017 | Ver.2.1 | Added comment of wettable flank on PACKAGE OUTLINE. Changed the description in ORDERING INFORMATION and ELECTRICAL CHARACTERISTICS to only released output voltage rank. |
| 26.Sep.2017 | Ver.2.2 | Correction of following errors: -Value of ψ_{jt} in THERMAL CHARACTERISTICS -Test condition of Soft Start Time in ELECTRICAL CHARACTERISTICS |
| 20.Dec.2017 | Ver.2.3 | Added conformity with AEC-Q100 to FEATURES section |
| 2.Sep.2021 | Ver.2.4 | Added (ESON8-WA) to the DFN8-WA package name, STATUS in OUTPUT VOLTAGE RANK, and figure of TEST CIRCUIT. Correction of value of T2 in TAPING DIMENTIONS |

[CAUTION]

1. NJR strives to produce reliable and high quality semiconductors. NJR's semiconductors are intended for specific applications and require proper maintenance and handling. To enhance the performance and service of NJR's semiconductors, the devices, machinery or equipment into which they are integrated should undergo preventative maintenance and inspection at regularly scheduled intervals. Failure to properly maintain equipment and machinery incorporating these products can result in catastrophic system failures
2. The specifications on this datasheet are only given for information without any guarantee as regards either mistakes or omissions. The application circuits in this datasheet are described only to show representative usages of the product and not intended for the guarantee or permission of any right including the industrial property rights.
All other trademarks mentioned herein are the property of their respective companies.
3. To ensure the highest levels of reliability, NJR products must always be properly handled.
The introduction of external contaminants (e.g. dust, oil or cosmetics) can result in failures of semiconductor products.
4. NJR offers a variety of semiconductor products intended for particular applications. It is important that you select the proper component for your intended application. You may contact NJR's Sale's Office if you are uncertain about the products listed in this datasheet.
5. Special care is required in designing devices, machinery or equipment which demand high levels of reliability. This is particularly important when designing critical components or systems whose failure can foreseeably result in situations that could adversely affect health or safety. In designing such critical devices, equipment or machinery, careful consideration should be given to amongst other things, their safety design, fail-safe design, back-up and redundancy systems, and diffusion design.
6. The products listed in this datasheet may not be appropriate for use in certain equipment where reliability is critical or where the products may be subjected to extreme conditions. You should consult our sales office before using the products in any of the following types of equipment.
 - Aerospace Equipment
 - Equipment Used in the Deep Sea
 - Power Generator Control Equipment (Nuclear, steam, hydraulic, etc.)
 - Life Maintenance Medical Equipment
 - Fire Alarms / Intruder Detectors
 - Vehicle Control Equipment (Airplane, railroad, ship, etc.)
 - Various Safety Devices
7. NJR's products have been designed and tested to function within controlled environmental conditions. Do not use products under conditions that deviate from methods or applications specified in this datasheet. Failure to employ the products in the proper applications can lead to deterioration, destruction or failure of the products. NJR shall not be responsible for any bodily injury, fires or accident, property damage or any consequential damages resulting from misuse or misapplication of the products. The products are sold without warranty of any kind, either express or implied, including but not limited to any implied warranty of merchantability or fitness for a particular purpose.
8. Warning for handling Gallium and Arsenic (GaAs) Products (Applying to GaAs MMIC, Photo Reflector). These products use Gallium (Ga) and Arsenic (As) which are specified as poisonous chemicals by law. For the prevention of a hazard, do not burn, destroy, or process chemically to make them as gas or power. When the product is disposed of, please follow the related regulation and do not mix this with general industrial waste or household waste.
9. The product specifications and descriptions listed in this datasheet are subject to change at any time, without notice.



X-ON Electronics

Largest Supplier of Electrical and Electronic Components

Click to view similar products for [LDO Voltage Regulators](#) category:

Click to view products by [Nisshinbo](#) manufacturer:

Other Similar products are found below :

[AP7363-SP-13](#) [NCV8664CST33T3G](#) [L79M05TL-E](#) [AP7362-HA-7](#) [PT7M8202B12TA5EX](#) [TCR3DF185,LM\(CT](#) [TLF4949EJ](#)
[NCP4687DH15T1G](#) [NCV8703MX30TCG](#) [LP2951CN](#) [NCV4269CPD50R2G](#) [AP7315-25W5-7](#) [NCV47411PAAJR2G](#) [AP2111H-1.2TRG1](#)
[ZLDO1117QK50TC](#) [AZ1117ID-ADJTRG1](#) [NCV4263-2CPD50R2G](#) [NCP706ABMX300TAG](#) [NCP114BMX075TCG](#) [MC33269T-3.5G](#)
[TLE4471GXT](#) [AP7315-33SA-7](#) [NCV4266-2CST33T3G](#) [NCP715SQ15T2G](#) [NCV8623MN-50R2G](#) [NCV563SQ18T1G](#) [NCV8664CDT33RKG](#)
[NCV4299CD250R2G](#) [NCP715MX30TBG](#) [NCV8702MX25TCG](#) [TLE7270-2E](#) [NCV562SQ25T1G](#) [AP2213D-3.3TRG1](#) [AP2202K-2.6TRE1](#)
[NCV8170BMX300TCG](#) [NCV8152MX300180TCG](#) [NCP700CMT45TBG](#) [AP7315-33W5-7](#) [NCP154MX180300TAG](#) [AP2113AMTR-G1](#)
[NJW4104U2-33A-TE1](#) [MP2013AGG-5-P](#) [NCV8775CDT50RKG](#) [NJM2878F3-45-TE1](#) [S-19214B00A-V5T2U7](#) [S-19214B50A-V5T2U7](#) [S-](#)
[19213B50A-V5T2U7](#) [S-19214BC0A-E8T1U7*1](#) [S-19213B00A-V5T2U7](#) [S-19213B33A-V5T2U7](#)