

SELECTABLE GAIN TYPE LOW VOLTAGE VIDEO AMPLIFIER WITH LPF

■ GENERAL DESCRIPTION

The **NJM2560** is a Low Voltage Video Amplifier contained LPF circuit. Internal 75Ω driver is easy to connect TV monitor directly. The **NJM2560** can respond to various input voltage by gain switch. The **NJM2560** features low power and small package, and is suitable for low power design on downsizing of DSC and DVC.

■ PACKAGE OUTLINE

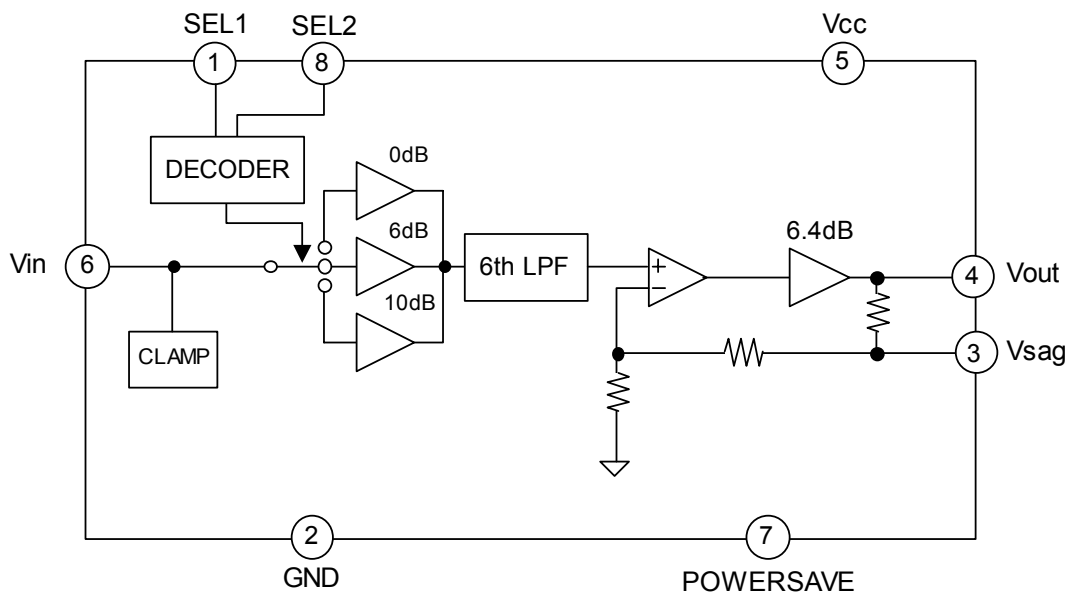


NJM2560RB1

■ FEATURES

- Operating Voltage 2.8 to 5.5V
- Internal LPF 29dB at 19MHz typ.
- Internal gain switch 6dB, 12dB, and 16dB
- Internal 75Ω driver circuit(2-system drive)
- Internal Power Save circuit
- Package Outline TVSP8

■ BLOCK DIAGRAM



NJM2560

■ ABSOLUTE MAXIMUM RATING (Ta=25°C)

PARAMETER	SYMBOL	RATING	UNIT
Supply Voltage	V ⁺	7.0	V
Power Dissipation	P _D	320	mW
Operating Temperature Range	Topr	-40 to +85	°C
Storage Temperature Range	Tstg	-40 to +125	°C

■ ELECTRICAL CHARACTERISTICS (V⁺=3.0V, RL=150Ω, Ta=25°C, Select 6dB unless otherwise specified)

PARAMETER	SYMBOL	TEST CONDITION	MIN.	TYP.	MAX.	UNIT
Supply Current	I _{CC}	No signal	-	9.0	12.0	mA
Supply Current at Power save	Isave	Power save mode	-	50	60	uA
Maximum Output Level 1	Vomv1	Select 6dB, f=100kHz, THD=1%	2.2	2.5	-	Vp-p
Maximum Output Level 2	Vomv2	Select 12dB, f=100kHz, THD=1%	2.2	2.5	-	Vp-p
Maximum Output Level 3	Vomv3	Select 16dB, f=100kHz, THD=1%	2.2	2.5	-	Vp-p
Voltage Gain 1	Gv6	Select 6dB, Vin=100kHz, 1.0Vp-p, Sin-signal	6.0	6.4	6.8	dB
Voltage Gain 2	Gv12	Select 12dB, Vin=100kHz, 0.5Vp-p, Sin-signal	12.0	12.4	12.8	dB
Voltage Gain 3	Gv16	Select 16dB, Vin=100kHz, 0.3Vp-p, Sin-signal	16.0	16.4	16.8	dB
LPF Characteristics 1	Gfy4.5M1	Select 6dB, Vin=4.5MHz/100kHz, 1.0Vp-p	-0.6	-0.1	0.4	dB
	Gfy19M1	Select 6dB, Vin=19MHz/100kHz, 1.0Vp-p	-	-29	-19	
LPF Characteristics 2	Gfy4.5M2	Select 12dB, Vin=4.5MHz/100kHz, 0.5Vp-p	-0.6	-0.1	0.4	dB
	Gfy19M2	Select 12dB, Vin=19MHz/100kHz, 0.5Vp-p	-	-29	-19	
LPF Characteristics 3	Gfy4.5M3	Select 16dB, Vin=4.5MHz/100kHz, 0.3Vp-p	-0.7	-0.1	0.3	dB
	Gfy19M3	Select 16dB, Vin=19MHz/100kHz, 0.3Vp-p	-	-29	-19	
Differential Gain 1	DG1	Select 6dB, Vin=1.0Vp-p, 10step video signal	-	0.8	-	%
Differential Gain 2	DG2	Select 12dB, Vin=0.5Vp-p, 10step video signal	-	1.4	-	%
Differential Gain 3	DG3	Select 16dB, Vin=0.3Vp-p, 10step video signal	-	2.0	-	%
Differential Phase	DP	Vin=1.0Vp-p, 10step video signal	-	0.5	-	deg
S/N Ratio	SNv	Vin=1.0Vp-p, 100% White video signal, RL=75Ω, 100KHz to 6MHz	-	+60	-	dB
2 nd Distortion	Hv	Vin=1.0Vp-p, 3.58MHz Sin Video signal, RL=75Ω	-	-45	-	dB
SW High Level	VthH		1.8	-	V ⁺	V
SW Low Level	VthL		0	-	0.3	

CONTROL TERMINAL FUNCTION

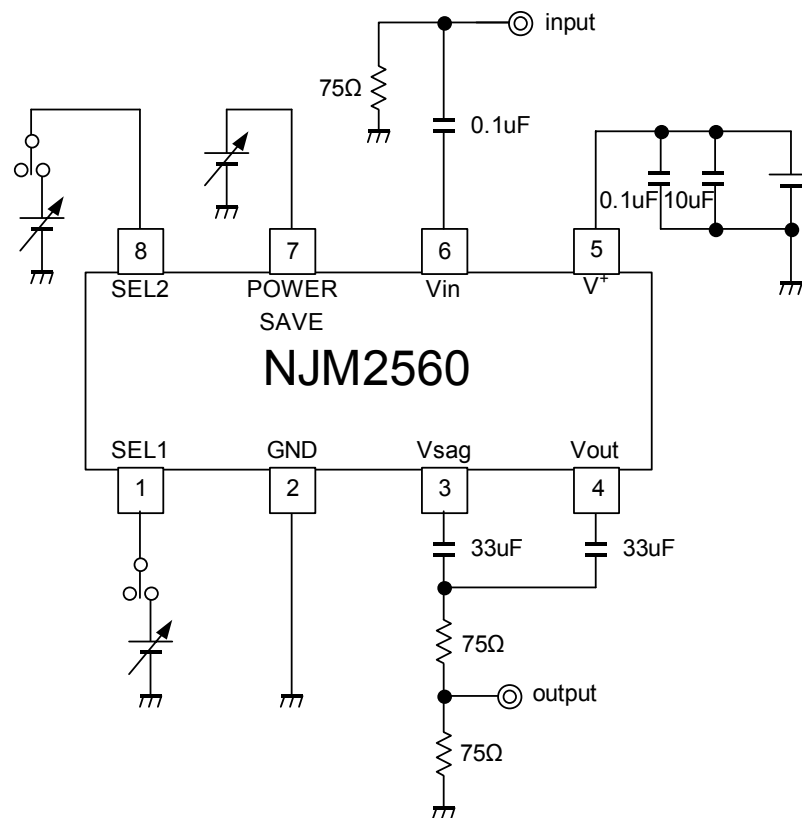
POWER SAVE

TERMINAL	CONTROL	STATE
Power Save	H	Power Save: OFF
	L	Power Save: ON
	OPEN	Power Save: ON

VOLTAGE GAIN

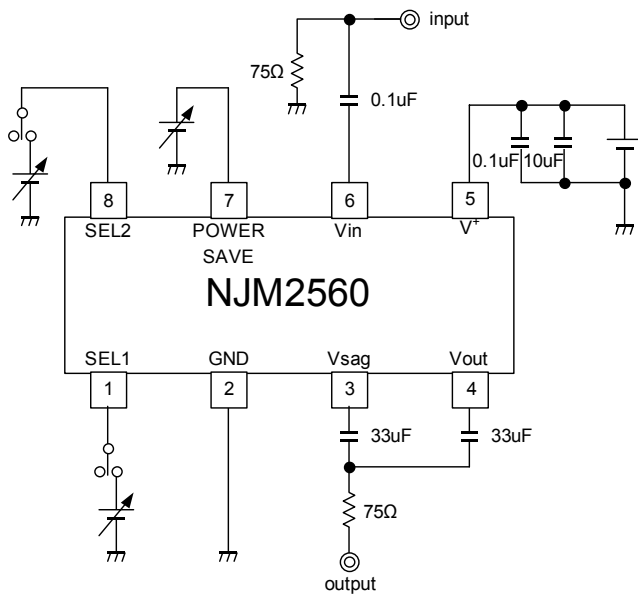
TERMINAL	SEL 1	SEL 2	STATE
SEL	L / OPEN	L / OPEN	6dB
	H	L / OPEN	12dB
	Don't care	H	16dB

TEST CIRCUIT

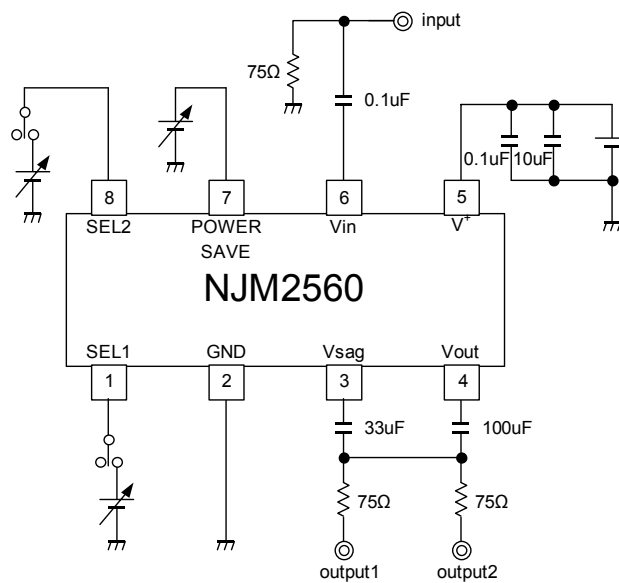


NJM2560

APPLICATION CIRCUIT



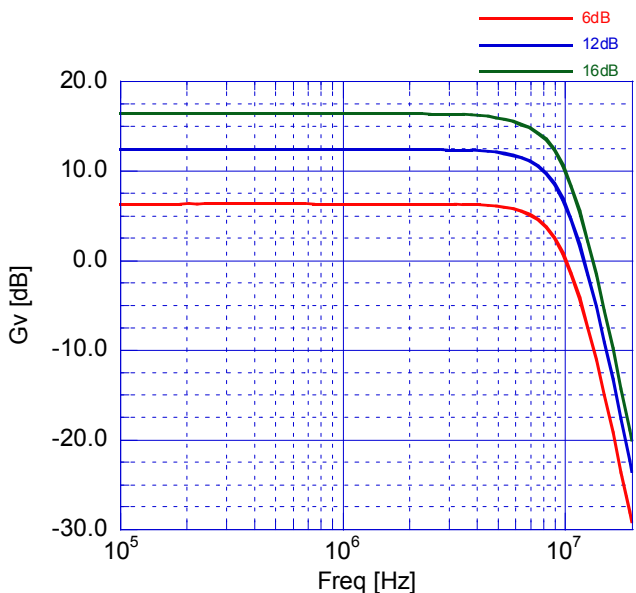
(1-system drive)



(2-system drive)

TYPICAL CHARACTERISTICS

Voltage Gain vs. Frequency



[CAUTION]
The specifications on this databook are only given for information, without any guarantee as regards either mistakes or omissions. The application circuits in this databook are described only to show representative usages of the product and not intended for the guarantee or permission of any right including the industrial rights.

X-ON Electronics

Largest Supplier of Electrical and Electronic Components

Click to view similar products for [Video ICs category](#):

Click to view products by [Nisshinbo manufacturer](#):

Other Similar products are found below :

[M21328G-12](#) [TW2964-LA2-CR](#) [TW9903-FB](#) [TW9919-PE1-GR](#) [ADV8003KBCZ-7T](#) [PI3HDX511DZLEX](#) [M23428G-33](#)
[PI7VD9008ABHFDE](#) [ADV7186BBCZ-TL](#) [ADV7186BBCZ-T-RL](#) [ADV8003KBCZ-7C](#) [PI3VDP411LSAZBEX](#) [PI3VDP411LSTZBEX](#)
[M23145G-14](#) [PI3VDP411LSRZBEX](#) [PI3HDX511EZLSEX](#) [BH76912GU-E2](#) [CM5100-01CP](#) [TVP5160PNP](#) [TVP5151PBSR](#) [BA7603F-E2](#)
[MU82645DES S LM6B](#) [BH76106HFV-TR](#) [BH76206HFV-TR](#) [ADV7179WBCPZ](#) [ADV7611BSWZ-P-RL](#) [ADV7180KCP32Z](#)
[ADV7180WBCP32Z](#) [ADV7182WBCPZ](#) [ADV7280KCPZ](#) [ADV7280WBCPZ-M](#) [ADV7281WBCPZ-MA](#) [ADV7283WBCPZ](#) [ADV7283BCPZ](#)
[ADV7282WBCPZ-M](#) [ADV7280KCPZ-M](#) [ADV7280WBCPZ](#) [ADV7180KCP32Z-RL](#) [ADV7282AWBCPZ](#) [ADV7182AWBCPZ](#)
[AD723ARUZ](#) [ADV7611BSWZ](#) [ADV7181DWBCPZ-RL](#) [ADV7173KSTZ-REEL](#) [ADV7180WBST48Z-RL](#) [ADA4411-3ARQZ](#) [ADA4411-3ARQZ-R7](#) [ADA4417-3ARMZ](#) [ADA4417-3ARMZ-R7](#) [ADA4424-6ARUZ](#)