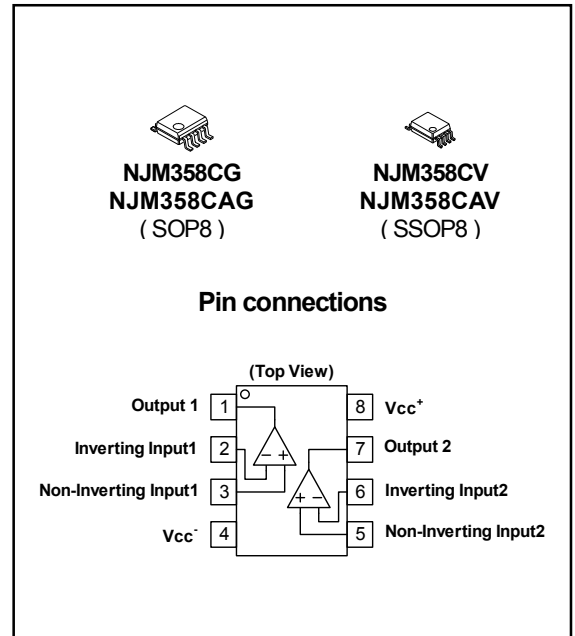


Low power dual operational amplifier

Features

- Internally frequency-compensated
- Large DC voltage gain : 100dB typ.
- Wide bandwidth (unity gain) : 1.1MHz typ.
- Low Operating Current : 350 uA/ch typ.
- Low input bias current : 20nA typ.
- Input common-mode voltage range includes negative rails
- Differential input voltage range equal to the power supply voltage
- Large output voltage swing : 0V to ($V_{CC}^+ - 1.5V$)
- Internal ESD protection: Human body model (HBM) $\pm 2000V$ typ.
- Wide power supply range:
 - Single supply: +3V to +30V
 - Dual supplies: $\pm 1.5V$ to $\pm 15V$
- Input Offset Voltage Grade

NJM358C(normal-Grade)	NJM358CA(A-Grade)
7mV max. at Ta=25°C	2mV max. at Ta=25°C
9mV max. at Ta=0 to 70°C	4mV max. at Ta=0 to 70°C



Description

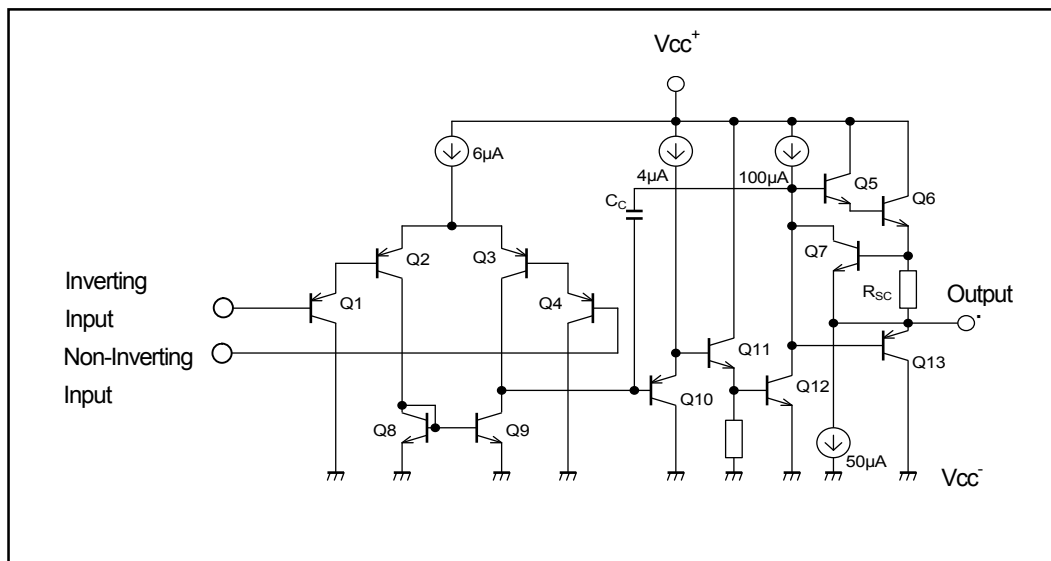
The NJM358C / NJM358CA consist of two independent, high-gain, internally frequency-compensated op-amps, specifically designed to operate from a single power supply over a wide range of voltages. The low-power supply drain is independent of the magnitude of the power supply voltage.

Application areas include transducer amplifiers, DC gain blocks and all the conventional op-amp circuits, which can now be more easily implemented in single power supply systems. For example, these circuits can be directly supplied with the standard +5V, which is used in logic systems and will easily provide the required interface electronics with no additional power supply.

In linear mode, the input common-mode voltage range includes ground and the output voltage can also swing to ground, even though operated from only a single power supply voltage.

1. Schematic diagram

Figure 1. Schematic diagram (1/2 NJM358C / NJM358CA)



NJM358C / NJM358CA

2. Absolute maximum ratings and operating conditions

Table1. Absolute maximum ratings

(Tamb=25°C)

Symbol	Parameter	RATINGS	Unit
V _{CC}	Supply voltage (V _{CC} ⁺ - V _{CC} ⁻)	32	V
V _{IN}	Input voltage ⁽¹⁾	V _{CC} ⁻ -0.3 to V _{CC} ⁻ +32	V
V _o	Output Terminal Input Voltage	V _{CC} ⁻ -0.3 to V _{CC} ⁺ +0.3	V
V _{ID}	Differential input voltage	±32	V
I _{IN}	Input current ⁽²⁾	5mA in DC or 50mA in AC (duty cycle = 10%, T=1s)	mA
T _{stg}	Storage temperature range	-65 to +150	°C
T _j	Maximum junction temperature	150	°C
P _D	Power Dissipation	SOP8 : 690 ⁽⁴⁾ 1000 ⁽⁵⁾ SSOP8 : 430 ⁽⁴⁾ 540 ⁽⁵⁾	mW
θ _{ja}	Thermal resistance junction to ambient ⁽³⁾	SOP8 : 180 ⁽⁴⁾ 122 ⁽⁵⁾ SSOP8 : 290 ⁽⁴⁾ 230 ⁽⁵⁾	°C/W
ψ _{jt}	Thermal resistance junction to top surface of IC package ⁽³⁾	SOP8 : 49 ⁽⁴⁾ 43 ⁽⁵⁾ SSOP8 : 46 ⁽⁴⁾ 45 ⁽⁵⁾	°C/W

1. Input voltage is the voltage should be allowed to apply to the input terminal independent of the magnitude of V_{CC}⁺.
The normal amplifier operation input voltage is within "Common Mode Input Voltage Range" specified in the Electrical characteristics.
2. This input current only exists when the voltage at any of the input leads is driven negative. It is due to the collector-base junction of the input PNP transistor becoming forward-biased and thereby acting as input diode clamp. In addition to this diode action, there is NPN parasitic action on the IC chip. This transistor action can cause the output voltages of the Op-amps to go to the V_{CC} voltage level (or to ground for a large overdrive) for the time during which an input is driven negative.
3. Short-circuit can cause excessive heating and destructive dissipation. Values are typical.
4. EIA/JEDEC STANDARD Test board (76.2 x 114.3 x 1.6mm, 2layers, FR-4) mounting
5. EIA/JEDEC STANDARD Test board (76.2 x 114.3 x 1.6mm, 4layers, FR-4) mounting

3. Operating conditions

Table2. Operating conditions

(Tamb=25°C)

Symbol	Parameter	Value	Unit
V _{CC}	Supply voltage (V _{CC} ⁺ - V _{CC} ⁻)	3 to 30	V
T _{oper}	Operating free-air temperature range	-40 to +85	°C

4. Electrical characteristics

Table3. $V_{CC}^+ = +5V$, $V_{CC}^- = 0V$, $T_{amb} = +25^\circ C$, (unless otherwise specified)

Symbol	Parameter	Min.	Typ.	Max.	Unit
V_{io}	Input offset voltage ⁽¹⁾ $T_{amb} = 25^\circ C$	-	0.5	7	mV
	NJM358CA	-	0.5	2	
	$0^\circ C \leq T_{amb} \leq 70^\circ C$ ⁽⁵⁾	-	-	9	
	NJM358CA	-	-	4	
DV_{io}	Input offset voltage drift $0^\circ C \leq T_{amb} \leq 70^\circ C$ ⁽⁵⁾	-	7	30	$\mu V/^\circ C$
I_{io}	Input offset current $T_{amb} = 25^\circ C$	-	2	30	nA
	$0^\circ C \leq T_{amb} \leq 70^\circ C$ ⁽⁵⁾	-	-	40	
DI_{io}	Input offset current drift $0^\circ C \leq T_{amb} \leq 70^\circ C$ ⁽⁵⁾	-	-	300	$pA/^\circ C$
I_{ib}	Input bias current ⁽²⁾ $T_{amb} = 25^\circ C$	-	20	150	nA
	$0^\circ C \leq T_{amb} \leq 70^\circ C$ ⁽⁵⁾	-	-	200	
A_{vd}	Large signal voltage gain ($V_{CC}^+ = +15V$, $R_L = 2k\Omega$, $V_o = 1.4V$ to $11.4V$) $T_{amb} = 25^\circ C$	50	100	-	V/mV
	$0^\circ C \leq T_{amb} \leq 70^\circ C$ ⁽⁵⁾	25	-	-	
SVR	Supply voltage rejection ratio ($V_{CC}^+ = 5V$ to $30V$, $R_s < 10k\Omega$) $T_{amb} = 25^\circ C$	65	100	-	dB
	$0^\circ C \leq T_{amb} \leq 70^\circ C$ ⁽⁵⁾	65	-	-	
I_{CC}	Supply current, all amp, no load $0^\circ C \leq T_{amb} \leq 70^\circ C$ ⁽⁵⁾ , $V_{CC}^+ = 5V$	-	0.7	1.2	mA
	$0^\circ C \leq T_{amb} \leq 70^\circ C$ ⁽⁵⁾ , $V_{CC}^+ = 30V$	-	-	2	
V_{icm}	Input common mode voltage range ($V_{CC}^+ = +30V$ ⁽³⁾) $T_{amb} = 25^\circ C$	0	-	$V_{CC}^+ - 1.5$	V
	$0^\circ C \leq T_{amb} \leq 70^\circ C$ ⁽⁵⁾	0	-	$V_{CC}^+ - 2$	

NJM358C / NJM358CA

Table3. $V_{CC}^+ = +5V, V_{CC}^- = 0V, T_{amb} = +25^\circ C$, (unless otherwise specified)

Symbol	Parameter	Min.	Typ.	Max.	Unit
CMR	Common mode rejection ratio($R_S < 10k\Omega$)				
	$T_{amb} = 25^\circ C$ $0^\circ C \leq T_{amb} \leq 70^\circ C$ ⁽⁵⁾	70 60	100 -	- -	dB
I_{source}	Output current source $V_{CC}^+ = 15V, V_O = +2V, V_{id} = +1V$	20	40	-	mA
I_{sink}	Output sink current $V_{CC}^+ = 15V, V_O = +2V, V_{id} = -1V$	10	20	-	mA
	$V_{CC}^+ = 15V, V_O = +0.2V, V_{id} = -1V$	12	50	-	μA
V_{OH}	High level output voltage($V_{CC}^+ = 30V$)				
	$T_{amb} = 25^\circ C, R_L = 2k\Omega$	26	27	-	V
	$0^\circ C \leq T_{amb} \leq 70^\circ C$ ⁽⁵⁾ , $R_L = 2k\Omega$	26	-	-	
	$T_{amb} = 25^\circ C, R_L = 10k\Omega$	27	28	-	
$0^\circ C \leq T_{amb} \leq 70^\circ C$ ⁽⁵⁾ , $R_L = 10k\Omega$	27	-	-		
V_{OL}	Low level output voltage				
	$T_{amb} = 25^\circ C, R_L = 10k\Omega$ $0^\circ C \leq T_{amb} \leq 70^\circ C$ ⁽⁵⁾ , $R_L = 10k\Omega$	- -	5 -	20 20	mV
SR	Slew rate $V_{CC}^+ = 15V, V_i = 0.5$ to $3V, R_L = 2k\Omega,$ $C_L = 100pF$, unity gain	-	0.6	-	V/ μs
GBP	Gain bandwidth product $V_{CC}^+ = 30V, f = 100kHz, V_{in} = 10mV,$ $R_L = 2k\Omega, C_L = 100pF$	-	1.1	-	MHz
THD	Total harmonic distortion $f = 1kHz, A_v = 20dB, R_L = 2k\Omega, V_O = 2V_{pp},$ $C_L = 100pF$	-	0.02	-	%
e_n	Equivalent input noise voltage $f = 1kHz, R_S = 100\Omega, V_{CC}^+ = 30V$	-	30	-	nV/ \sqrt{Hz}
V_{O1}/V_{O2}	Channel separation ⁽⁴⁾ $1kHz < f < 20kHz$	-	120	-	dB

1. $V_O = 1.4V, R_S = 0\Omega, 5V < V_{CC}^+ < 30V, 0 < V_{ic} < V_{CC}^+ - 1.5V$.

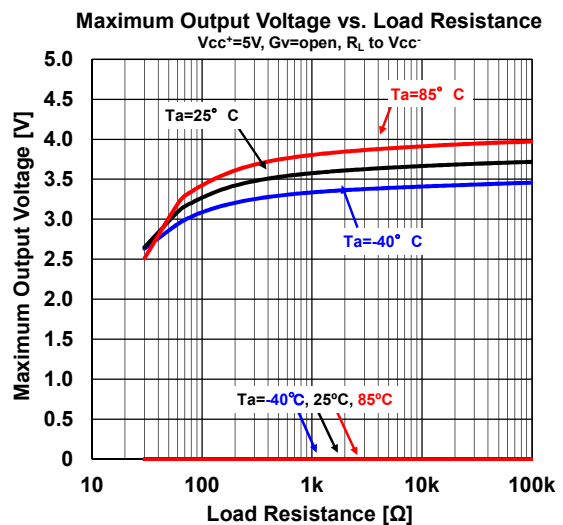
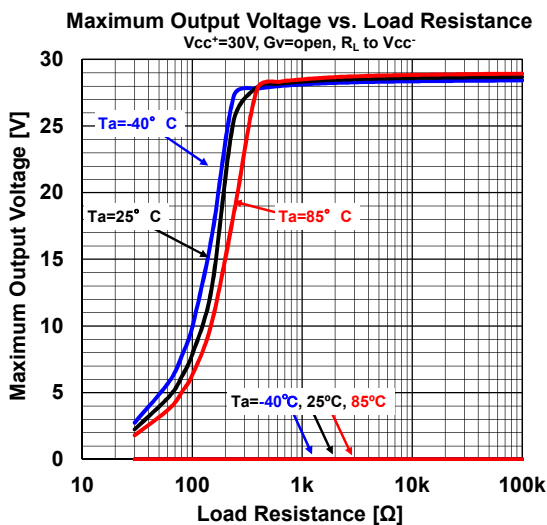
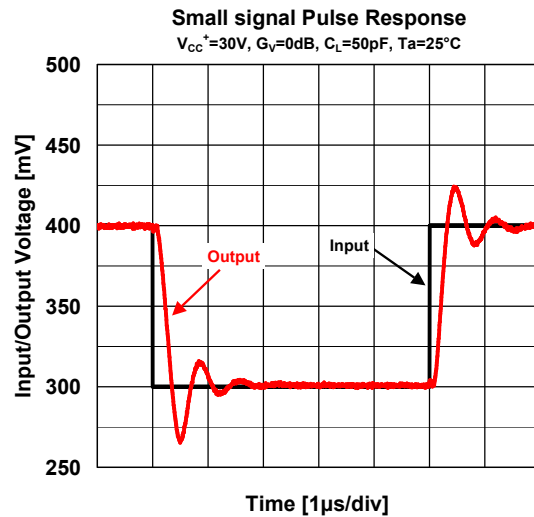
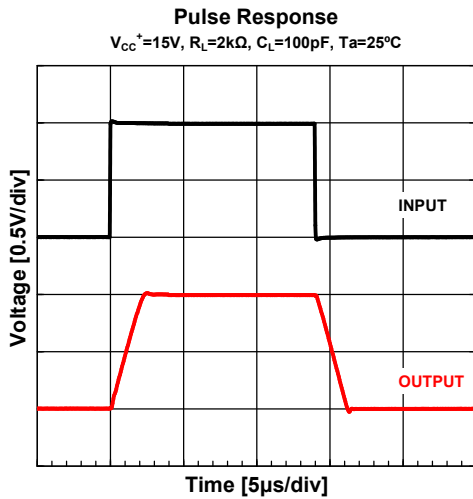
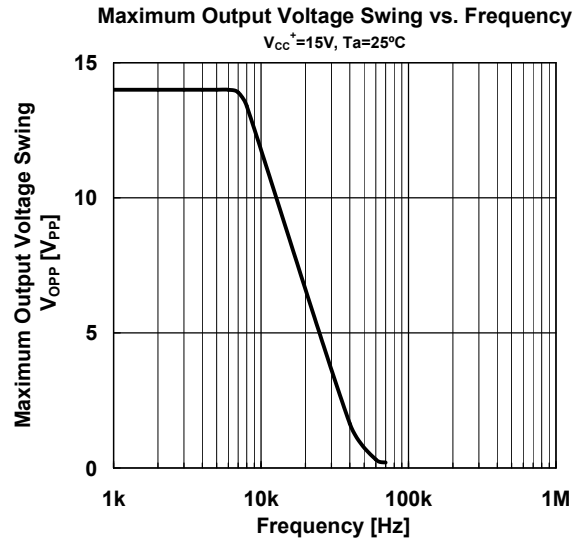
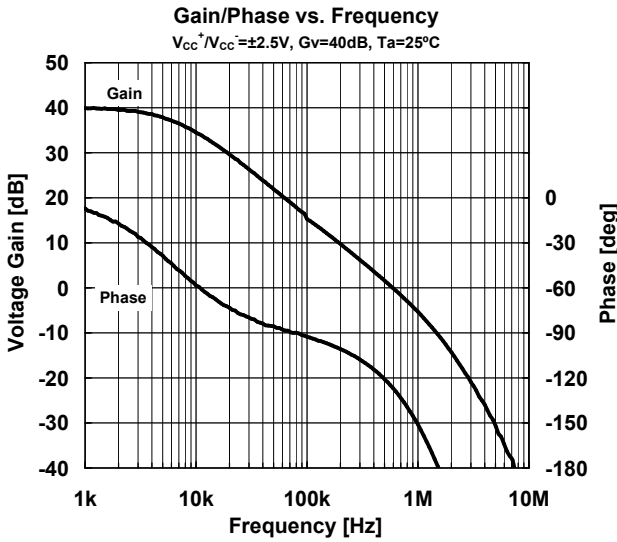
2. The direction of the input current is out of the IC.

3. The input common-mode voltage of either input signal voltage should not be allowed to go negative by more than 0.3V. The upper end of the common-mode voltage range is $V_{CC}^+ - 1.5V$, but either or both inputs can go to +32V without damage.

4. Due to the proximity of external components, ensure that stray capacitance between these external parts does not cause coupling.

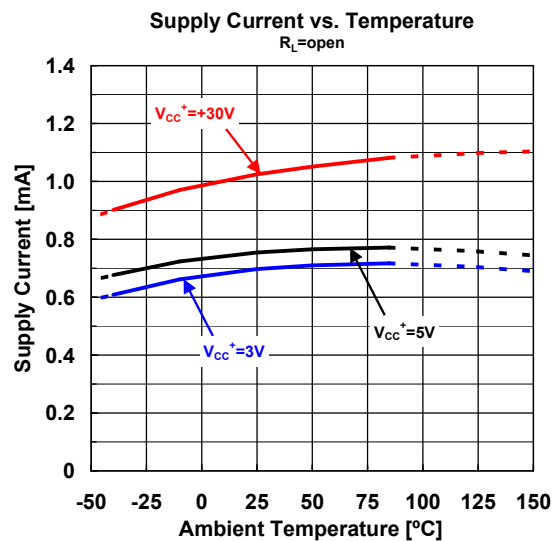
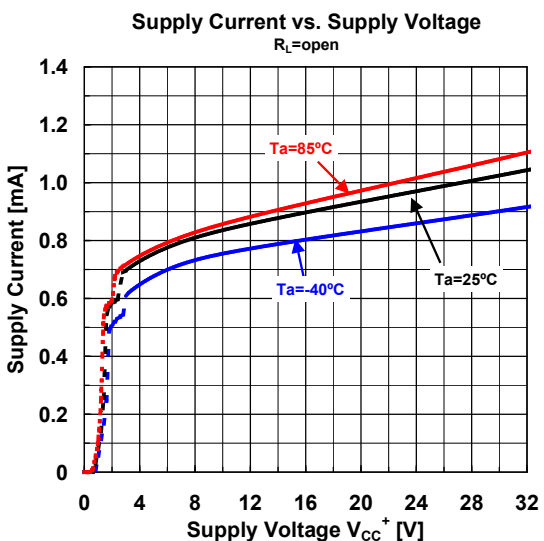
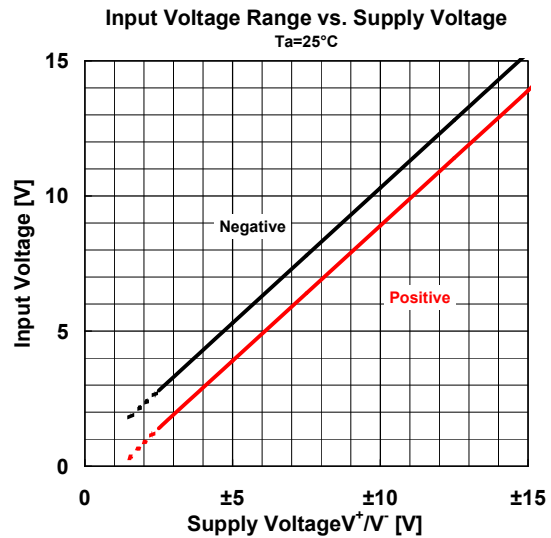
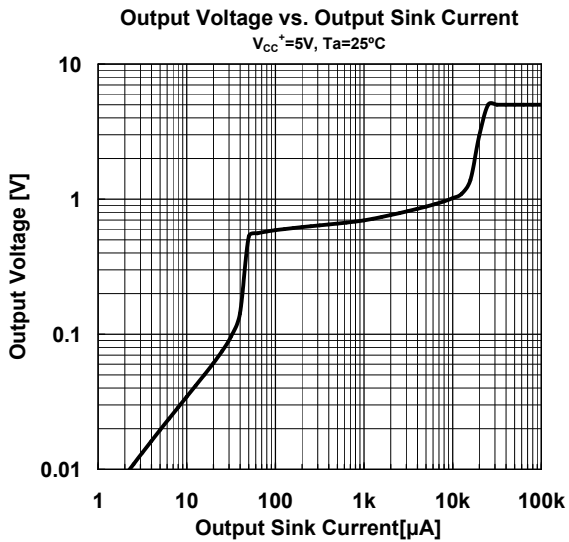
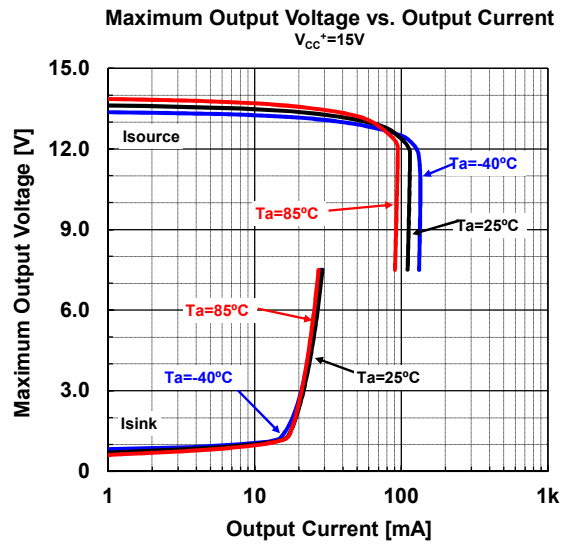
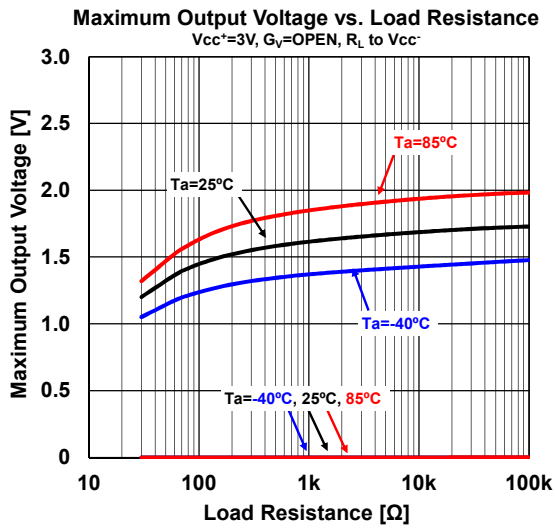
5. This parameter is not 100% test.

■ TYPICAL CHARACTERISTICS



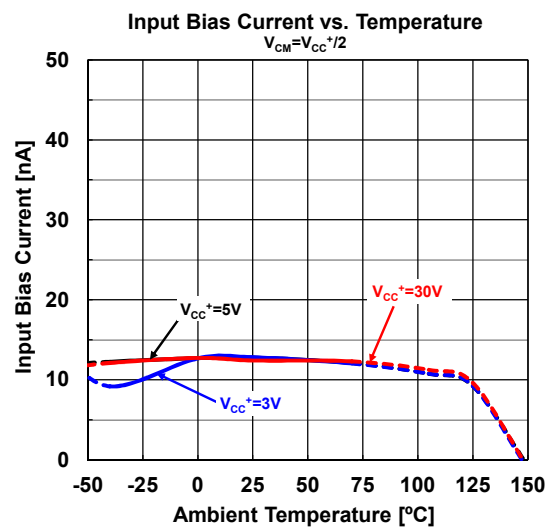
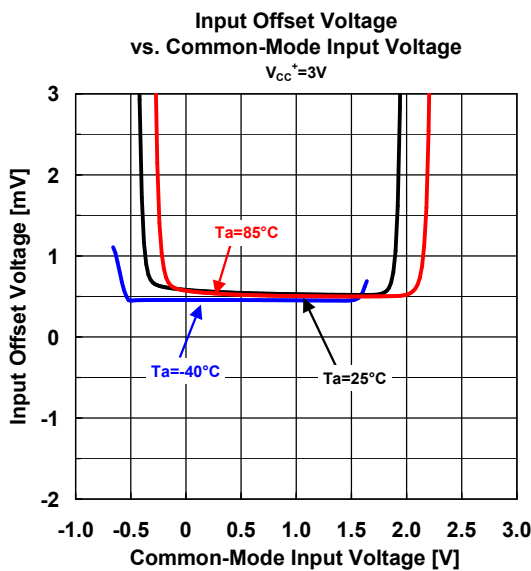
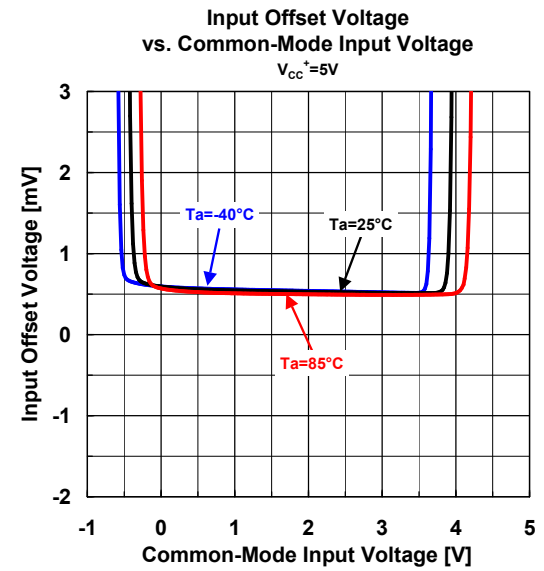
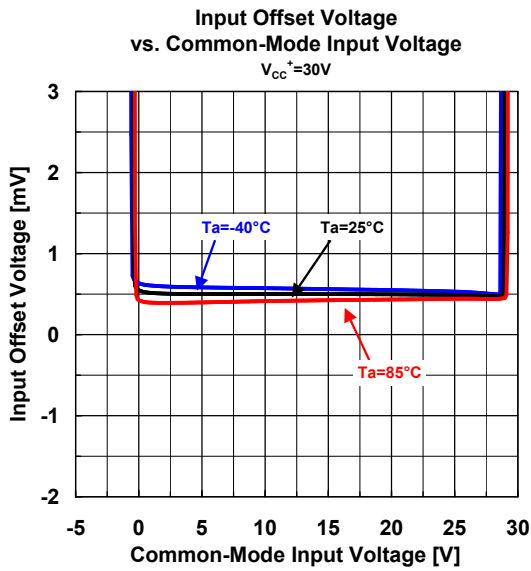
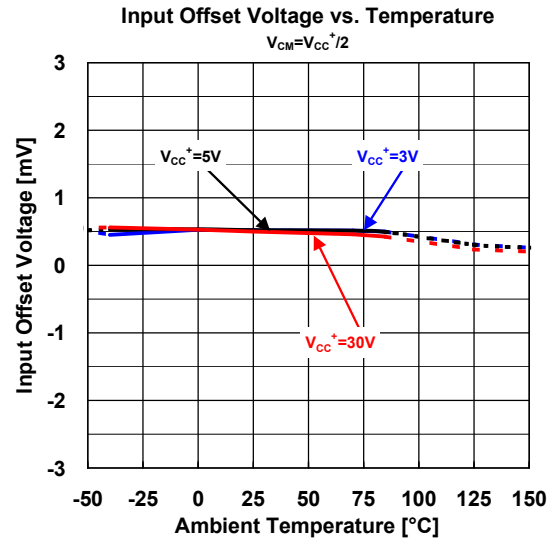
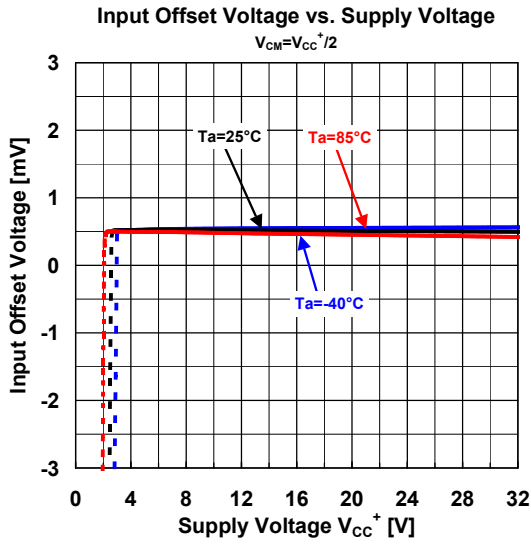
NJM358C / NJM358CA

■ TYPICAL CHARACTERISTICS



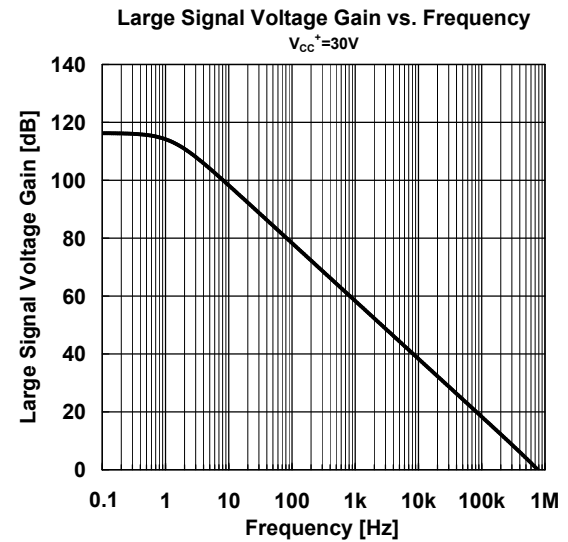
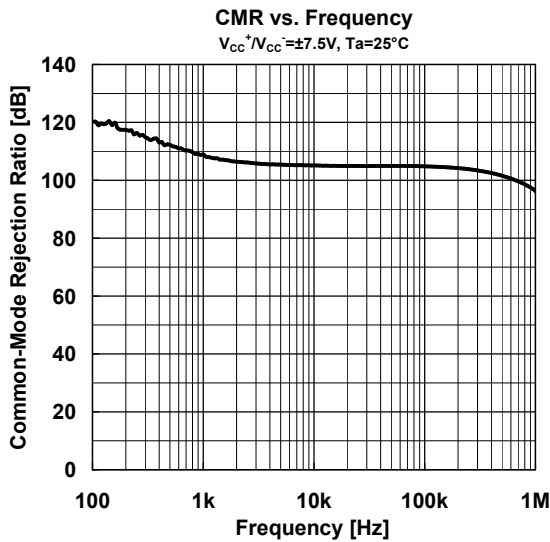
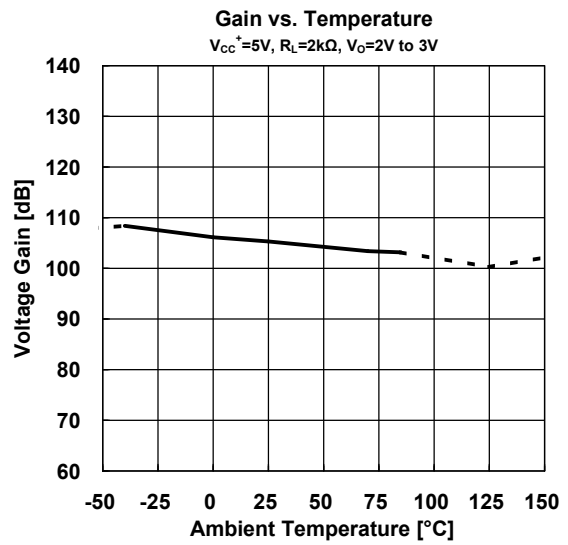
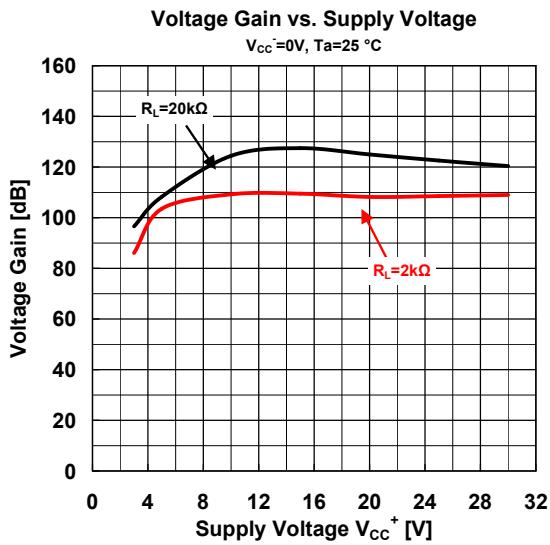
■ TYPICAL CHARACTERISTICS

あ



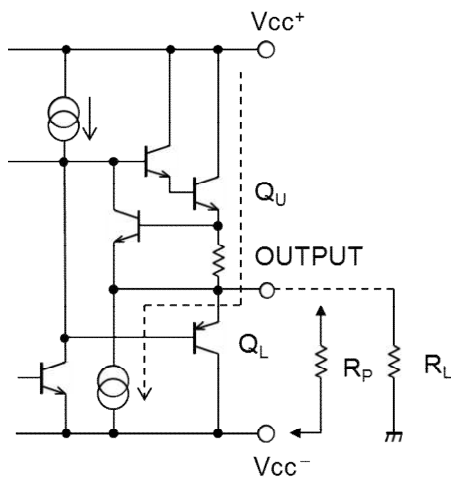
NJM358C / NJM358CA

■ TYPICAL CHARACTERISTICS



■ APPLICATION

Improvement of Cross-over Distortion Equivalent circuit at the output stage

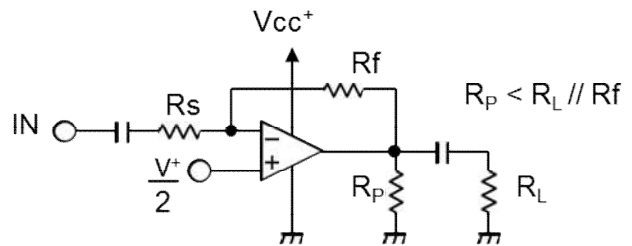
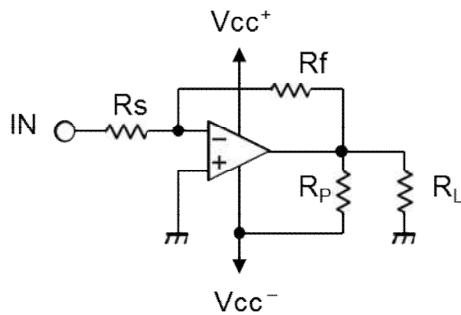


NJM358C / NJM358CA, in its static state (No in and output condition) when design, Q_U being biased by constant current (break down beam) yet, Q_L stays OFF.

While using with both power source mode, the cross-over distortion might occur instantly when Q_L ON.

There might be cases when application for amplifier of audio signals, not only distortion but also the apparent frequency bandwidth being narrowed remarkably.

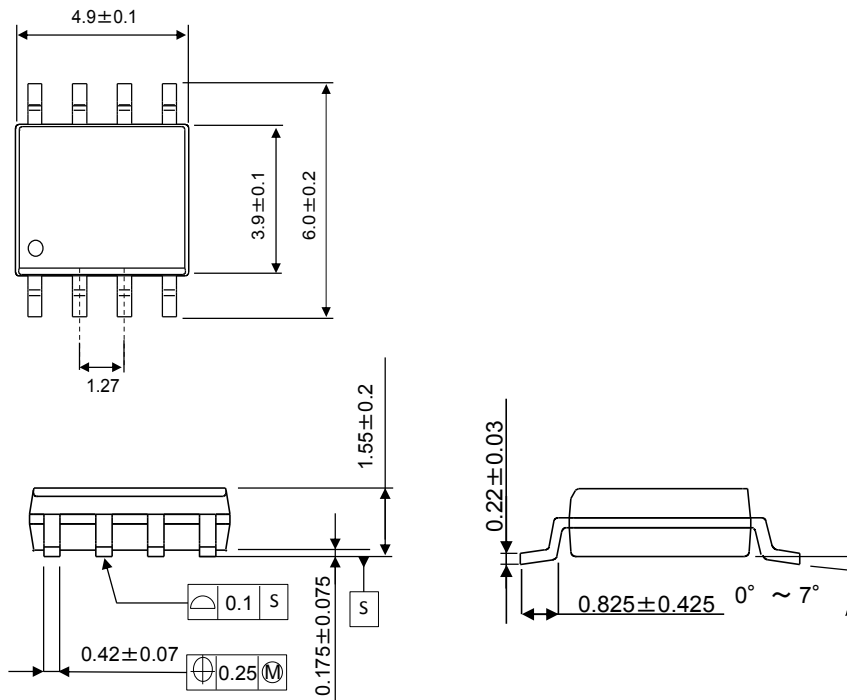
It is adjustable especially when using both power source mode, constantly to use with higher current on Q_U than the load current (including feedback current), and then connect the pull-down resistor R_P at the part between output and V^- pins.



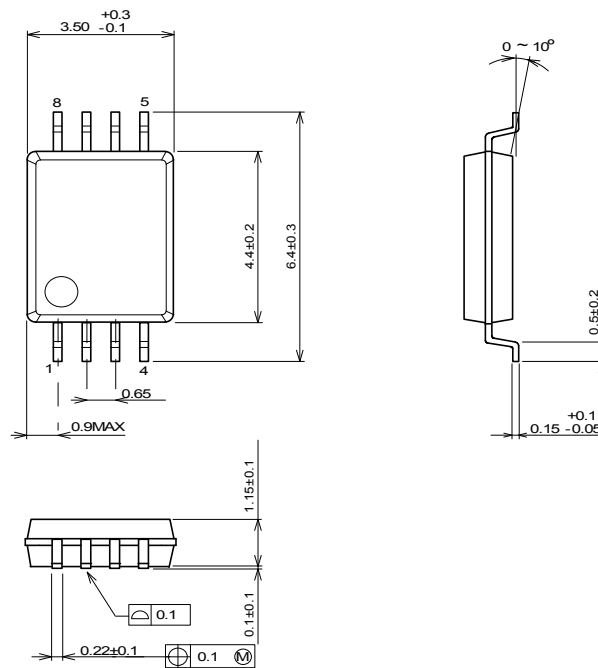
NJM358C / NJM358CA

■ PACKAGE DIMENSIONS

SOP8



SSOP8



[CAUTION]
 The specifications on this databook are only given for information, without any guarantee as regards either mistakes or omissions. The application circuits in this databook are described only to show representative usages of the product and not intended for the guarantee or permission of any right including the industrial rights.

X-ON Electronics

Largest Supplier of Electrical and Electronic Components

Click to view similar products for [Operational Amplifiers - Op Amps](#) category:

Click to view products by [Nisshinbo](#) manufacturer:

Other Similar products are found below :

[NCV33072ADR2G](#) [LM358SNG](#) [430227FB](#) [UPC824G2-A](#) [LT1678IS8](#) [042225DB](#) [058184EB](#) [UPC822G2-A](#) [UPC259G2-A](#) [UPC258G2-A](#)
[NTE925](#) [AZV358MTR-G1](#) [AP4310AUMTR-AG1](#) [HA1630D02MMEL-E](#) [HA1630S01LPEL-E](#) [SCY33178DR2G](#) [NJU77806F3-TE1](#)
[NCV5652MUTWG](#) [NCV20034DR2G](#) [LM324EDR2G](#) [LM2902EDR2G](#) [NTE7155](#) [NTE778S](#) [NTE871](#) [NTE924](#) [NTE937](#) [MCP6V17T-](#)
[E/MNY](#) [MCP6V19-E/ST](#) [MXD8011HF](#) [MCP6V17T-E/MS](#) [SCY6358ADR2G](#) [ADA4523-1BCPZ](#) [LTC2065HUD#PBF](#) [ADA4523-1BCPZ-](#)
[RL7](#) [NJM2904CRB1-TE1](#) [2SD965T-R](#) [RS6332PXK](#) [BDM8551](#) [BDM321](#) [MD1324](#) [COS8052SR](#) [COS8552SR](#) [COS8554SR](#) [COS2177SR](#)
[COS2353SR](#) [COS724TR](#) [ASOPD4580S-R](#) [RS321BKXF](#) [ADA4097-1HUIJZ-RL7](#) [NCS20282FCTTAG](#)