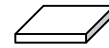


## 1/3, 1/4 Duty LCD Driver

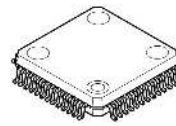
### ■ GENERAL DESCRIPTION

**NJU6533** is a 1/3 or 1/4 duty segment type LCD driver. It incorporates 4 common driver circuits and 32 segment driver circuits. **NJU6533** can drive maximum 96 segments in 1/3 duty ratio and maximum 128 segments in 1/4 duty ratio. In addition, the **NJU6533's** useful functions and small package meet a wide range of applications.

### ■ PACKAGE OUTLINE



**NJU6533C**



**NJU6533FA2**



**NJU6533FH2**

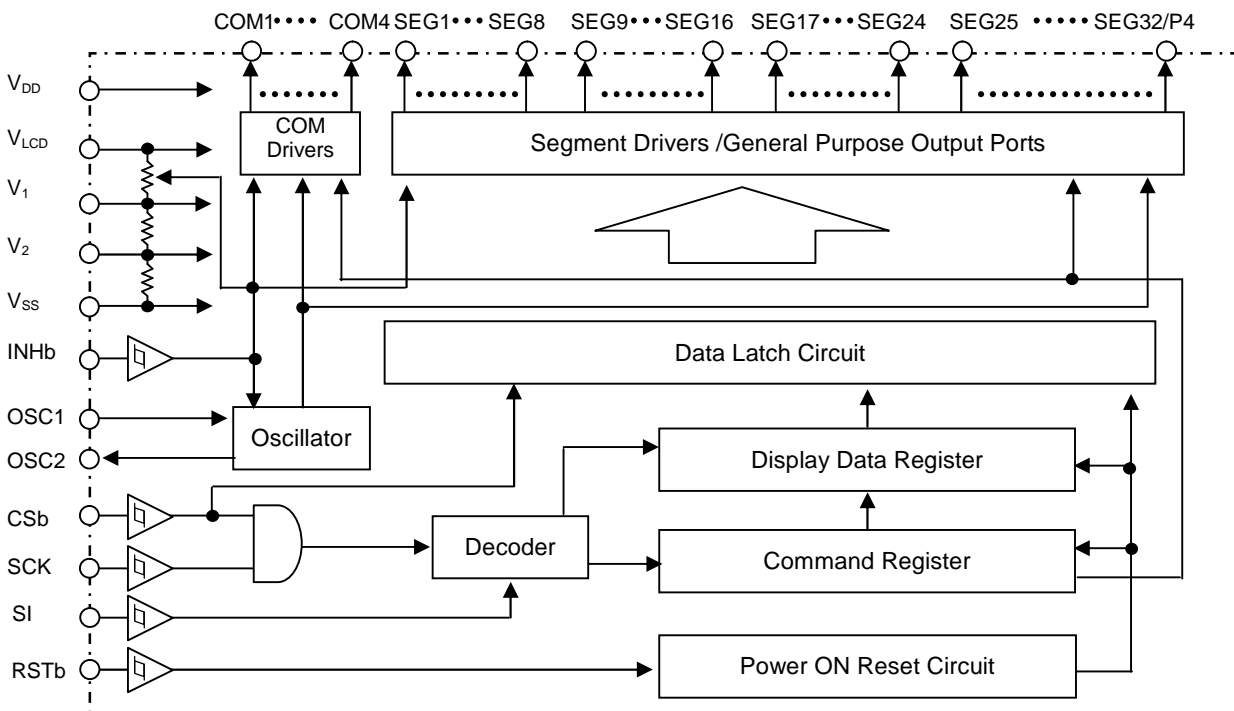


**NJU6533FR3**

### ■ FEATURES

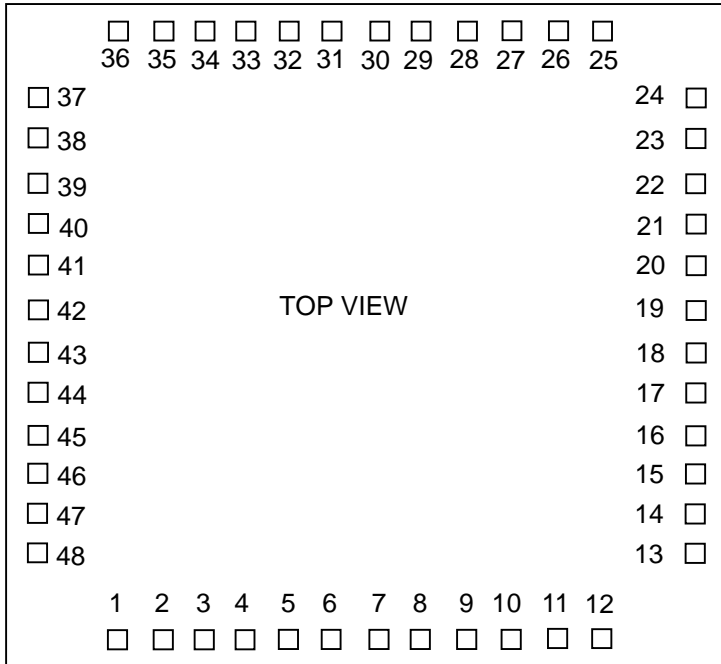
- LCD driving circuit :Max. 32outputs (4 outputs as for general purpose ports)
- Programmable Duty Ratio
  - 1/3 duty ratio :Driving max. 96 segments
  - 1/4 duty ratio :Driving max. 128 segments
- Programmable Bias Ratio :1/2, 1/3 bias ratio
- Serial Data Transfer :Shift clock max. 2MHz
- Built-in Oscillator :CR oscillation with external resistor, or external oscillation signal input
- Display OFF :INHb terminal
- Operating Voltage :3V / 5.0V
- C-MOS Technology :P-Sub
- Package Outline :Bare Chip, QFP52-A2, LQFP52-H2, LQFP48-R3

### ■ BLOCK DIAGRAM



# NJU6533

## ■ PAD LOCATION



Chip Center : X=0 $\mu$ m, Y=0 $\mu$ m  
 Chip Size : X= 2.60 mm, Y= 2.36 mm  
 Chip Thickness : 625 $\mu$ m  $\pm$  25  $\mu$ m  
 PAD Size : 90.0  $\mu$ m x 90.0  $\mu$ m  
 PAD Pitch : 126 $\mu$ m  
 Sub Striate : P

## ■ PAD COORDINATES

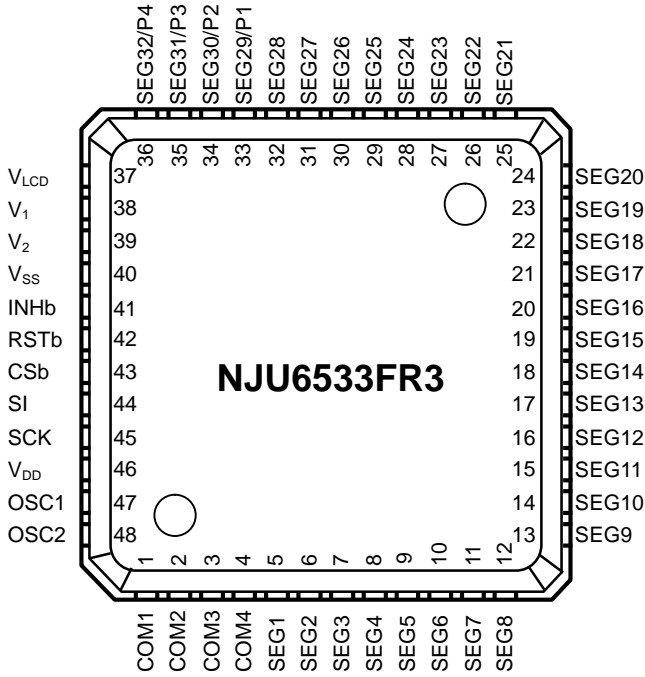
Chip Size 2.60 x 2.36 mm(Chip Center X=0 $\mu$ m, Y=0 $\mu$ m)

PAD No.	PAD NAME	X= $\mu$ m	Y= $\mu$ m
1	COM1	-686	-1019
2	COM2	-560	-1019
3	COM3	-434	-1019
4	COM4	-308	-1019
5	SEG1	-182	-1019
6	SEG2	-56	-1019
7	SEG3	70	-1019
8	SEG4	196	-1019
9	SEG5	322	-1019
10	SEG6	448	-1019
11	SEG7	574	-1019
12	SEG8	700	-1019
13	SEG9	1138	-739
14	SEG10	1138	-613
15	SEG11	1138	-487
16	SEG12	1138	-361
17	SEG13	1138	-235
18	SEG14	1138	-109
19	SEG15	1138	17
20	SEG16	1138	143
21	SEG17	1138	269
22	SEG18	1138	395
23	SEG19	1138	521
24	SEG20	1138	647

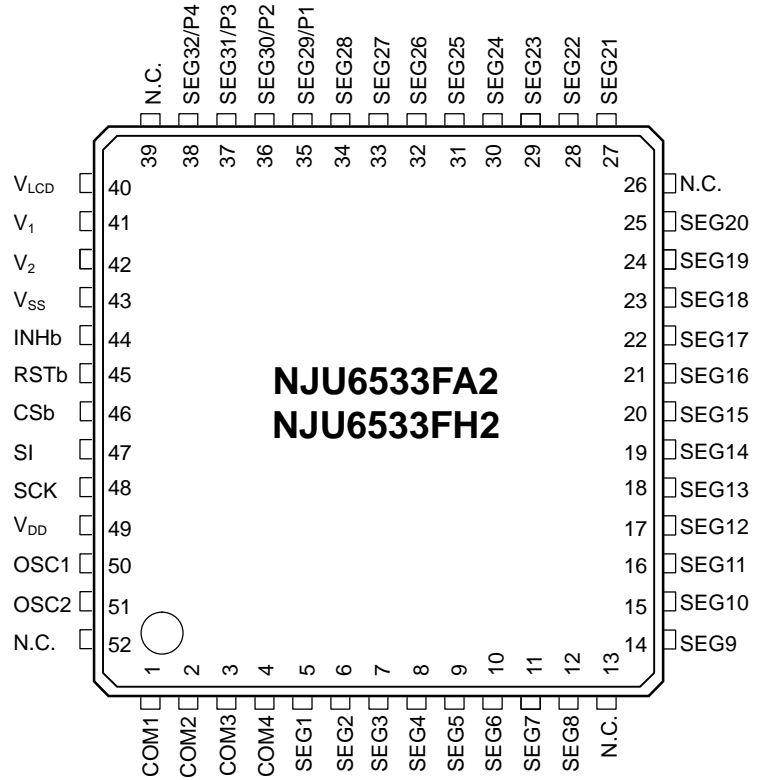
PAD No.	PAD NAME	X= $\mu$ m	Y= $\mu$ m
25	SEG21	784	1019
26	SEG22	658	1019
27	SEG23	532	1019
28	SEG24	406	1019
29	SEG25	280	1019
30	SEG26	154	1019
31	SEG27	28	1019
32	SEG28	-98	1019
33	SEG29/P1	-356	1019
34	SEG30/P2	-482	1019
35	SEG31/P3	-837	1019
36	SEG32/P4	-963	1019
37	V <sub>LCD</sub>	-1138	914
38	V <sub>1</sub>	-1138	790
39	V <sub>2</sub>	-1138	557
40	V <sub>SS</sub>	-1138	432
41	INHb	-1138	236
42	RSTb	-1138	112
43	CSb	-1138	-121
44	SI	-1138	-245
45	SCK	-1138	-479
46	V <sub>DD</sub>	-1138	-603
47	OSC1	-1138	-845
48	OSC2	-1138	-971

## ■ PIN CONFIGURATION

• LQFP48-R3



• QFP52-A2 / LQFP52-H2



## ■ TERMINAL DISCRIPTION

Bare Chip	No.		Pad Name	Function
	LQFP48-R3	QFP52-A2 LQFP52-H2		
46	46	49	V <sub>DD</sub>	● Power supply: 3V /5V
37	37	40	V <sub>LCD</sub>	LCD driving voltage $V_{LCD} \geq V_1 \geq V_2 \geq V_{SS}, V_{LCD} \geq V_{DD}$
38, 39	38, 39	41, 42	V <sub>1</sub> , V <sub>2</sub>	Bias At 1/3 bias ratio, keep V <sub>1</sub> - V <sub>2</sub> open. At 1/2 bias ratio, short V <sub>1</sub> - V <sub>2</sub> .
40	40	43	V <sub>SS</sub>	GND V <sub>SS</sub> =0V
41	41	44	INHb	Display OFF * When INHb is "H", display is ON, and when INHb is "L", display is off. When SEG29(P1)~SEG32 (P4) are selected as general purpose output ports, even if input "0" to INHb terminal, SEG29~32 will still be recognized as general purpose output ports.
42	42	45	RSTb	Reset When RSTb is "L", command register and latch circuit is reset.
43	43	46	CSb	Chip select When CSb is "L", data can be read in.
44	44	47	SI	Serial data input (8 bit=1 word)
45	45	48	SCK	Serial clock
47, 48	47, 48	50, 51	OSC1, OSC2	External resistor connection terminal for CR oscillation, or external clock input terminal When external clock is used, input the signal to OSC1 and keep OSC2 open.
1~4	1~4	1~4	COM1 ~ COM4	Common driver outputs
5~32	5~32	5~12, 14~25, 27~34	SEG1 ~ SEG28	Segment driver outputs
33~36	33~36	35~39	SEG29/P1~ SEG32/P4	Segment driver outputs/general purpose output ports These 4 terminals can be used as segment outputs or general purpose output ports by setting Command Register. When selected as general purpose ports, data can be outputted via these ports during COM1 timing. According to transferred data, "H"=V <sub>DD</sub> or "L"=V <sub>SS</sub> will be outputted.
-	-	13,26, 39,52	NC	Non Connection These pins must be open.

\*: For details about INHb, please refer to "■ FUNCTION DESCRIPTION (5) Display OFF function (INHb terminal)".

## ■ FUNCTION DESCRIPTION

### (1) Block Function

- Oscillator  
The oscillator includes a built-in capacitor and an external resistor. It generates clock signal for LCD driving. When use external clock, input the clock signal to OSC1 and keep OSC2 open.
- Decoder  
Input serial data is decoded and sent to the appropriate block.
- Command Register  
Command data is written to this 8 bits command register to control **NJU6533** operation.
- Display Data Register  
Data is written to this 8 bits register as display data.
- Latch Circuit  
Data stored in display data register is assigned to the corresponding SEG/port.
- Segment Driver/General Purpose Ports  
Basing on display data, segment drivers output LCD SEG driving signal.  
And, SEG29/P1 ~ SEG32/P4 terminals can be selected as segment driver output or general-purpose ports by instruction.
- Common Driver  
Common drivers output LCD COM driving signal.
- Power On Reset  
When power is on, **NJU6533** is automatically initialized. And if RSTb="L", **NJU6533** is reset too.

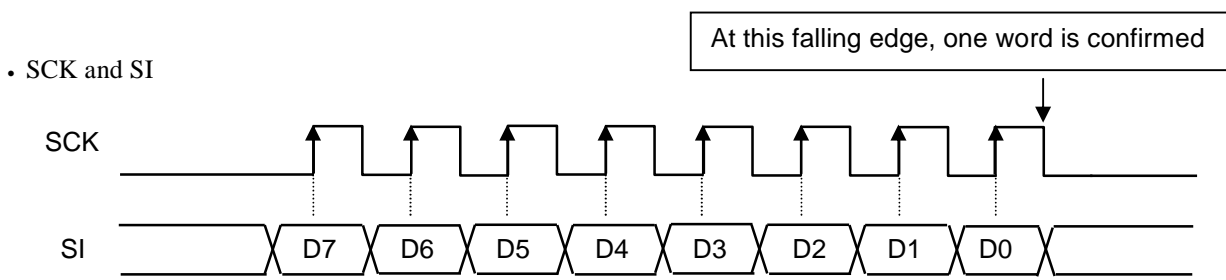
## (2) Serial Data Transfer

The transfer of an 8-bit/word serial data is conducted by synchronizing clock via interface with CPU. During CSb="L", serial data is obtainable and will be read in at the rising edge of SCK signal.

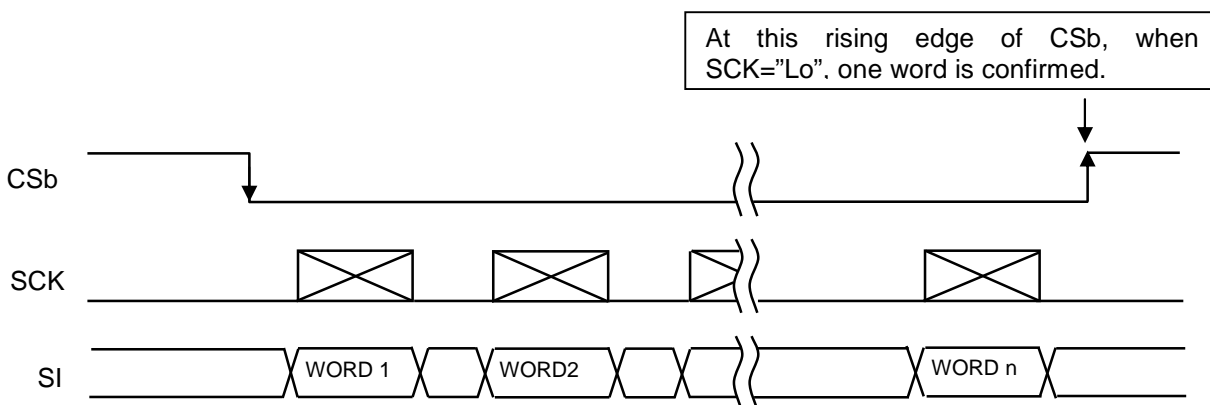
After CSb becoming low, if the first word is address data, the after data can be transferred continually and interrupted as display data even if CSb maintained low. In this case, every 8 bits data will be confirmed as a word either by the falling edge of the 8<sup>th</sup> SCK clock or by the rising edge of the CSb clock.

After CSb becoming low, if the first word is command data, the after data is invalid even though transfer can be continued without changing the polarity of CSb.

At the falling edge of CSb, SCK can be either "H" or "L", but, at the rising edge of CSb, SCK must be low.



Timing of Serial Data Transfer



Serial Interface Format

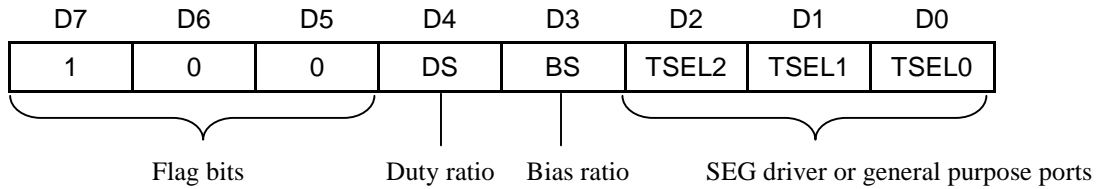
(3) Command Register

Command Register is used to set the duty ratio, the bias ratio, and the SEG driver/general purpose ports. When the D7 to D5 bits of the 1<sup>st</sup> word are (1,0,0), the D4 ~ D0 bits are recognized as command data.

The contents of Command Register will be initialized as following when applying Power On Reset or Reset.

**The Default Value of Command Register**

- Duty ratio : 1/4
- Bias ratio : 1/3
- SEG driver/General purpose ports : SEG drivers(SEG29, SEG30, SEG31, SEG32)



• Duty Ratio

DS	Duty ratio
0	1/4
1	1/3

\*) Do not change the duty ratio during display ON.

• Bias ratio

BS	Bias ratio
0	1/3
1	1/2

• SEG driver or general purpose ports

TSEL2	TSEL1	TSEL0	SEG29/P1	SEG30/P2	SEG31/P3	SEG32/P4
0	0	0	SEG29	SEG30	SEG31	SEG32
0	0	1	SEG29	SEG30	SEG31	P4
0	1	0	SEG29	SEG30	P3	P4
0	1	1	SEG29	P2	P3	P4
1	0	0	P1	P2	P3	P4

\*\*\*) If TSEL2 ~ TSEL0 is set to (1, 0, 1), (1, 1, 0), (1, 1, 1) all outputs are used as segment drivers.

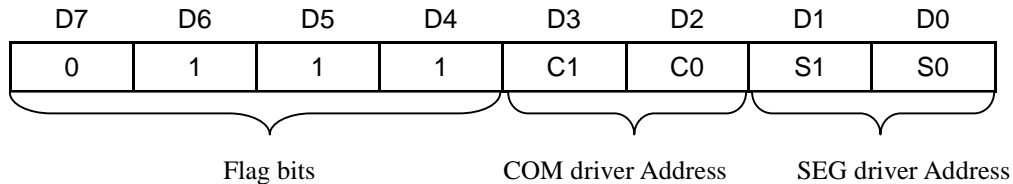
## (4) Output Address Counter

Output Address Counter will specify the addresses of the SEG and COM drivers for the display data.

When the MSB (D7 to D4) of the 1<sup>st</sup> data is "0111", the LSB 4 bits (D3 to D0) specify the addresses of COM and SEG drivers, and the 2<sup>nd</sup> data is the display data which will be sent to the 1<sup>st</sup>-data-specified drivers. At the same time, SEG and COM driver addresses will be increased automatically in turn as shown in **Table 1**. In other words, as of the SEG and COM driver addresses specified by the first data in the Output Address Counter, display data can be transferred to the SEG and COM drivers without further address setting.

The address setting range is from "0000" to "1111", if transfer data outnumber the address number which are from D3 ~ D0 to "1111", the SEG and COM driver address will be reset to "0000" and renew the auto-increment operation.

### • Address Data



**Table 1. The Relationship Between Output Address and SEG/COM Drivers**

Increment Direction	C1	C0	S1	S0	COM Driver	SEG Driver							
						D7	D6	D5	D4	D3	D2	D1	D0
						SEG1	SEG2	SEG3	SEG4	SEG5	SEG6	SEG7	SEG8
↓	0	0	0	0	COM1	SEG1	SEG2	SEG3	SEG4	SEG5	SEG6	SEG7	SEG8
			0	1		SEG9	SEG10	SEG11	SEG12	SEG13	SEG14	SEG15	SEG16
			1	0		SEG17	SEG18	SEG19	SEG20	SEG21	SEG22	SEG23	SEG24
			1	1		SEG25	SEG26	SEG27	SEG28	SEG29	SEG30	SEG31	SEG32
↓	0	1	0	0	COM2	SEG1	SEG2	SEG3	SEG4	SEG5	SEG6	SEG7	SEG8
			0	1		SEG9	SEG10	SEG11	SEG12	SEG13	SEG14	SEG15	SEG16
			1	0		SEG17	SEG18	SEG19	SEG20	SEG21	SEG22	SEG23	SEG24
			1	1		SEG25	SEG26	SEG27	SEG28	SEG29	SEG30	SEG31	SEG32
↓	1	0	0	0	COM3	SEG1	SEG2	SEG3	SEG4	SEG5	SEG6	SEG7	SEG8
			0	1		SEG9	SEG10	SEG11	SEG12	SEG13	SEG14	SEG15	SEG16
			1	0		SEG17	SEG18	SEG19	SEG20	SEG21	SEG22	SEG23	SEG24
			1	1		SEG25	SEG26	SEG27	SEG28	SEG29	SEG30	SEG31	SEG32
↓	1	1	0	0	COM4	SEG1	SEG2	SEG3	SEG4	SEG5	SEG6	SEG7	SEG8
			0	1		SEG9	SEG10	SEG11	SEG12	SEG13	SEG14	SEG15	SEG16
			1	0		SEG17	SEG18	SEG19	SEG20	SEG21	SEG22	SEG23	SEG24
			1	1		SEG25	SEG26	SEG27	SEG28	SEG29	SEG30	SEG31	SEG32

\*If general purpose ports are selected by Command Register, under (C1, C0, S1, S0)=(0, 0, 1, 1), D3 ~ D0 bits are the addresses of (P1, P2, P3, P4) ports which corresponds to (SEG29, SEG30, SEG31, SEG32).

\*When SEG29~SEG32 are set as general purpose output ports, data for SEG29~SEG32 during COM2~COM4 scanning will be ignored.

\*When duty ratio is 1/3, do not set address between "1100"~"1111".

Otherwise, unexpected address way be setup.



(5) Display OFF Function (INHb)

When INHb="L"

- All segment and common terminal output  $V_{SS}$   
(When general purpose output ports are selected, even INHb="L", these ports can output data)
- Suspending Oscillation (but, if RSTb="L", oscillator works)
- $V_1$  and  $V_2$  become "H" (no current pass through the bleeder resistors)

Even during INHb="L", interface can be accessed, and data can be written into the command register, address counter and data register.

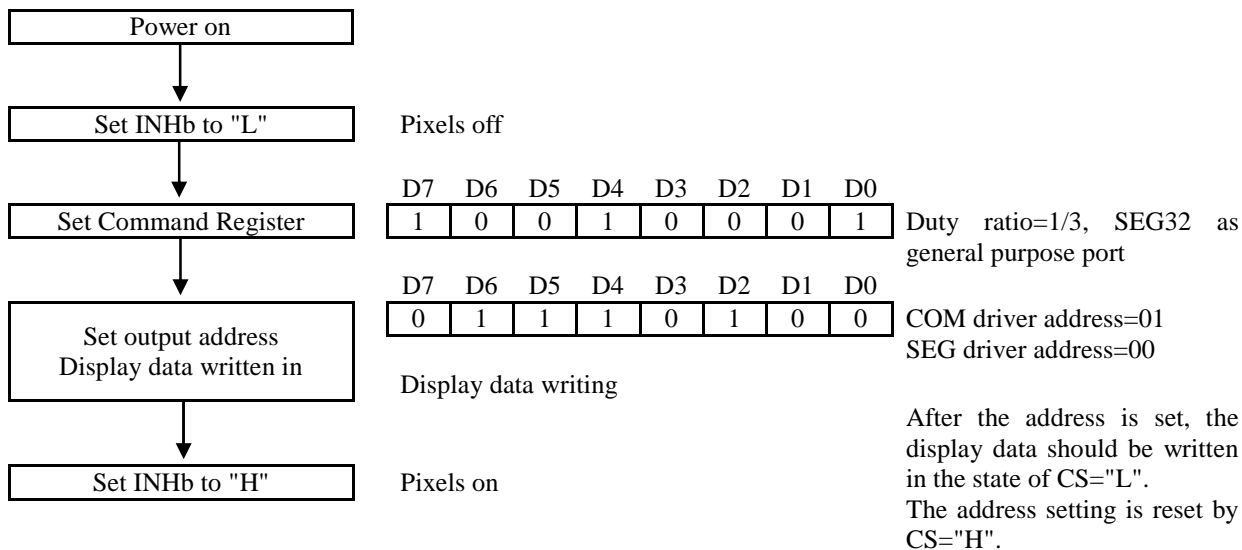
(6) Power ON Reset

After power ON, NJU6533 is initialized to the following values:

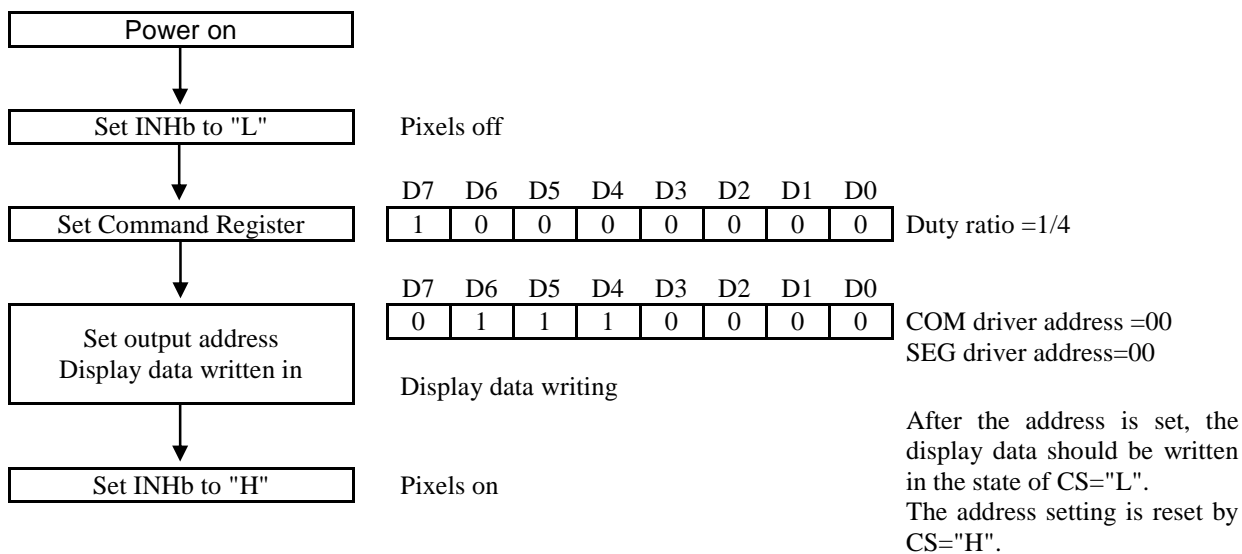
- Address counter (C1, C0, S1, S0)=(0, 0, 0, 0)
- Display Data Register all "0"
- Duty ratio 1/4duty
- Bias ratio 1/3 bias
- Segment/General purpose port: Segment output(SEG29, SEG30, SEG31, SEG32)

(7) Sequence of Initialization

(7-1) 1/3duty, SEG32 used as general purpose port, data written in from COM2.



(7-2) 1/4duty, SEG29 ~ 32 used as SEG drivers, data written in from COM1.



## ■ ABSOLUTE MAXIMAM RATINGS

(V<sub>SS</sub>=0V, Ta=25°C)

PARAMETER	SYMBOL	RATINGS	UNIT	CONDITIONS
Supply Voltage 1	V <sub>DD</sub>	-0.3 ~ +6.0	V	
Supply Voltage 2	V <sub>LCD</sub>	-0.3 ~ +6.0	V	
Supply Voltage 3	V <sub>1</sub> , V <sub>2</sub>	-0.3 ~ V <sub>LCD</sub> +0.3	V	
Input Voltage	V <sub>IN</sub>	-0.3 ~ V <sub>DD</sub> +0.3	V	INHb, CSb, SCK, SI, RSTb, OSC1 applicable.
Operating Temp.	T <sub>opr</sub>	-40 ~ +85	°C	
Storage Temp.	T <sub>stg</sub>	-55 ~ +125	°C	
Dissipation Power	P <sub>D</sub>	900(QFP52-A2) 890(LQFP52-H2) 1000(LQFP48-R3)	mW	The power dissipation is value mounted on a glass epoxy board in size: 76.2mm x 114.3mm x 1.6mm (QFP52-A2, LQFP52-H2, LQFP48-R3).

Note-1) Do not exceed the absolute maximum ratings, otherwise the stress may cause a permanent damage to the IC. It is also recommended that the IC be used within the range specified in the DC electrical characteristics, or the electrical stress may cause malfunctions and impact on the reliability.

Note-2) All voltages are relative to V<sub>SS</sub> = 0V reference.

Note-3) The following relationship shall be maintained.

$$V_{LCD} \geq V_1 \geq V_2 \geq V_{SS}, V_{LCD} \geq V_{DD}, \text{ and } V_{LCD} \text{ shall be input after } V_{DD}.$$

Note-4) To stabilize the LSI operation, place decoupling capacitors between V<sub>DD</sub>-V<sub>SS</sub> and between V<sub>LCD</sub>-V<sub>SS</sub>.

## ■ ELECTRICAL CHARACTERISTICS

### • DC characteristics 1

( $V_{DD}=2.4$  to  $3.6V$ ,  $V_{SS}=0V$ ,  $T_a=-40$  to  $85^{\circ}C$ )

PARAMETER	SYMBOL	CONDITIONS	MIN	TYP	MAX	UNIT	Note
Power Supply	$V_{DD}$		2.4		3.6	V	
LCD Driving Voltage	$V_{LCD}$	$V_{LCD} \geq V_{DD}$	2.4		5.5	V	
LCD Bias Voltage	$V_1$	$T_a=25^{\circ}C$ Testing via COM/SEG terminals COM/SEG without load	$2/3 V_{LCD}-0.2$	$2/3 V_{LCD}$	$2/3 V_{LCD}+0.2$	V	
	$V_2$		$1/3 V_{LCD}-0.2$	$1/3 V_{LCD}$	$1/3 V_{LCD}+0.2$	V	
"H" Level Input Voltage	$V_{IH}$	INHb, CSb, SCK, SI, RESb, OSC1	$0.8 V_{DD}$		$V_{DD}$	V	
"L" Level Input Voltage	$V_{IL}$	INHb, CSb, SCK, SI, RESb, OSC1	0		$0.2 V_{DD}$	V	
Hysteresis Voltage	$V_H$	INHb, CSb, SCK, SI, RESb		$0.2V_{DD}$		V	
"H" Level Input Current	$I_{IH}$	$V_{IN}=V_{DD}$ INHb, CSb, SCK, SI, RESb			1.0	$\mu A$	
"L" Level Input Current	$I_{IL}$	$V_{IN}=V_{SS}$ INHb, CSb, SCK, SI, RESb			1.0	$\mu A$	
"H" Level Output Voltage	$V_{OH}$	$V_{DD}=3V$ , $I_O=5mA$ , P1 to P4	$V_{DD}-0.6$			V	
"L" Level Output Voltage	$V_{OL}$	$V_{DD}=3V$ , $I_O=5mA$ , P1 to P4			0.6	V	
Driver-on Resistance (COM)	$R_{COM}$	$\pm I_d=1\mu A$ , $V_{LCD}=3V/5.5V$	-	-	10	$k\Omega$	5
Driver-on Resistance (SEG)	$R_{SEG}$	$\pm I_d=1\mu A$ , $V_{LCD}=3V/5.5V$	-	-	10	$k\Omega$	5
Oscillating Frequency	$f_{OSC}$	$V_{DD}=3V$ , $R_{OSC}=750k\Omega$ , $T_a=25^{\circ}C$	12.6	15.4	18.2	kHz	
External Clock Frequency	$f_{CP}$	Input into OSC1	12.6	15.4	18.2	kHz	
External Clock Duty	duty	Input into OSC1	45	50	55	%	
Bleeder Resistor	$R_B$	$V_{LCD}-V_{SS}$ $T_a=25^{\circ}C$	127	150	173	$k\Omega$	
Operating Current	$I_{DD1}$	$V_{DD}=3V$ , INHb="L", RSTb="H", $T_a=25^{\circ}C$		1.7	8.0	$\mu A$	
	$I_{DD2}$	$V_{DD}=3V$ , $V_{LCD}=5V$ , $T_a=25^{\circ}C$ , Checker flag display, 1/3 bias Using internal oscillator, no output		7.0	25	$\mu A$	
	$I_{LCD1}$	$V_{DD}=3V$ , $V_{LCD}=5V$ , RSTb="H", INHb="L", $T_a=25^{\circ}C$		0.1	1.0	$\mu A$	
	$I_{LCD2}$	$V_{DD}=3V$ , $V_{LCD}=5V$ , $T_a=25^{\circ}C$ , Checker flag display, 1/3 bias Using internal oscillator, no output		34	60	$\mu A$	

Note-5) Driver-On resistance ( $R_{SEG}/R_{COM}$ ) is measured from  $V_{LCD}$ ,  $V_{SS}$ ,  $V_1$  or  $V_2$  terminal to each SEG/COM terminal when  $I_d$  current flows through COM/SEG terminals.

Note-6) ["H" Level Input Voltage], ["L" Level Input Voltage], [Hysteresis Voltage], ["H" Level Input Current], ["L" Level Input Current], [External Clock Frequency] and [External Clock Duty] are as the same as if  $V_{DD}=4.5$  to  $5.5V$ .

• DC characteristics 2

( $V_{DD}=4.5$  to  $5.5V$ ,  $V_{SS}=0V$ ,  $T_a=-40$  to  $85^{\circ}C$ )

PARAMETER	SYMBOL	CONDITIONS	MIN	TYP	MAX	UNIT	Note
Power Supply	$V_{DD}$		4.5		5.5	V	
LCD Driving Voltage	$V_{LCD}$	$V_{LCD} \geq V_{DD}$	4.5		5.5	V	
LCD Bias Voltage	$V_1$	Ta=25°C Testing via COM/SEG terminals COM/SEG without load	$2/3 V_{LCD}-0.2$	$2/3 V_{LCD}$	$2/3 V_{LCD}+0.2$	V	
	$V_2$		$1/3 V_{LCD}-0.2$	$1/3 V_{LCD}$	$2/3 V_{LCD}+0.2$	V	
"H" Level Input Voltage	$V_{IH}$	INHb, CSb, SCK, SI, RESb, OSC1	$0.8V_{DD}$		$V_{DD}$	V	
"L" Level Input Voltage	$V_{IL}$	INHb, CSb, SCK, SI, RESb, OSC1	0		$0.2 V_{DD}$	V	
Hysteresis Voltage	$V_H$	INHb, CSb, SCK, SI, RESb		$0.2V_{DD}$		V	
"H" Level Input Current	$I_{IH}$	$V_{IN}=V_{DD}$ INHb, CSb, SCK, SI, RESb			1.0	$\mu A$	
"L" Level Input Current	$I_{IL}$	$V_{IN}=V_{SS}$ INHb, CSb, SCK, SI, RESb			1.0	$\mu A$	
"H" Level Output Voltage	$V_{OH}$	$V_{DD}=5V$ , $I_O=5mA$ , P1 to P4	$V_{DD}-1.0$			V	
"L" Level Output Voltage	$V_{OL}$	$V_{DD}=5V$ , $I_O=5mA$ , P1 to P4			1.0	V	
Driver-on Resistance (COM)	$R_{COM}$	$\pm I_d=1\mu A$ , $V_{LCD}=3V/5.5V$	-	-	10	$k\Omega$	7
Driver-on Resistance (SEG)	$R_{SEG}$	$\pm I_d=1\mu A$ , $V_{LCD}=3V/5.5V$	-	-	10	$k\Omega$	7
Oscillating Frequency	$f_{OSC}$	$V_{DD}=5V$ , $R_{OSC}=750k\Omega$ , $T_a=25^{\circ}C$	12.6	15.4	18.2	kHz	
External Clock Frequency	$f_{CP}$	Input into OSC1	12.6	15.4	18.2	kHz	
External Clock Duty	duty	Input into OSC1	45	50	55	%	
Bleeder Resistor	$R_B$	$V_{LCD}-V_{SS}$ , $T_a=25^{\circ}C$	127	150	173	$k\Omega$	
Operating Current	$I_{DD1}$	$V_{DD}=5V$ , INHb="L", RSTb="H", $T_a=25^{\circ}C$		3.2	10	$\mu A$	
	$I_{DD2}$	$V_{DD}=5V$ , $V_{LCD}=5V$ , $T_a=25^{\circ}C$ , Checker flag display, 1/3 bias Using internal oscillator, no output		15	35	$\mu A$	
	$I_{LCD1}$	$V_{DD}=5V$ , $V_{LCD}=5V$ , INHb="L", RSTb="H", $T_a=25^{\circ}C$		0.1	1.0	$\mu A$	
	$I_{LCD2}$	$V_{DD}=5V$ , $V_{LCD}=5V$ , $T_a=25^{\circ}C$ , Checker flag display, 1/3 bias Using internal oscillator, no output		34	60	$\mu A$	

Note-7) Driver-On resistance ( $R_{SEG}/R_{COM}$ ) is measured from  $V_{LCD}$ ,  $V_{SS}$ ,  $V_1$  or  $V_2$  terminal to each SEG/COM terminal when  $I_d$  current flows through COM/SEG terminals.

Note-8) ["H" Level Input Voltage], ["L" Level Input Voltage], [Hysteresis Voltage], ["H" Level Input Current], ["L" Level Input Current], [External Clock Frequency] and [External Clock Duty] are as the same as if  $V_{DD}=2.4$  to  $3.6V$ .

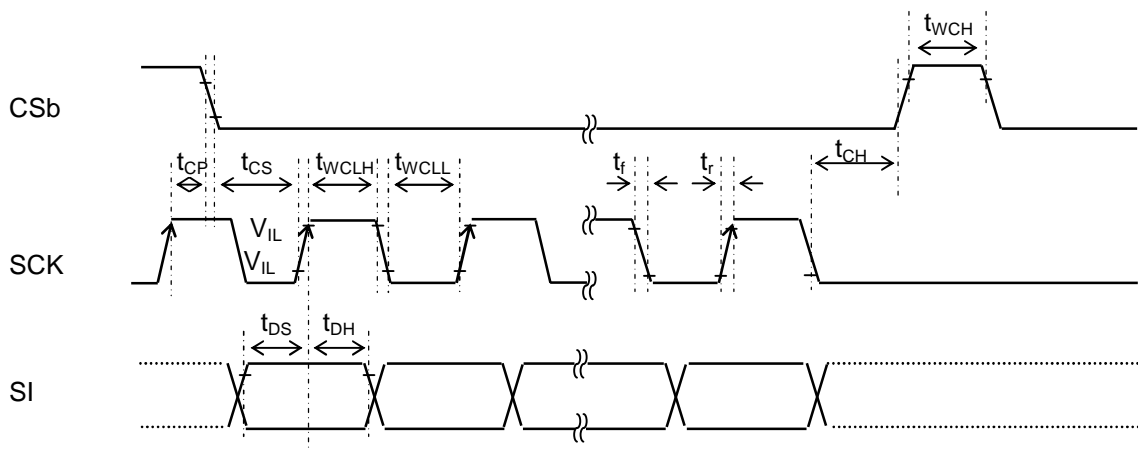
• AC characteristics

( $V_{DD}=V_{LCD}=2.4$  to  $5.5V$ ,  $V_{SS}=0V$ ,  $T_a=-40$  to  $85^{\circ}C$ )

PARAMETER	SYMBOL	CONDITIONS	MIN	TYP	MAX	UNIT	Note
"L" Level Clock Pulse Width	$t_{WCLL}$		230			ns	
"H" Level Clock Pulse Width	$t_{WCLH}$		230			ns	
Data Setup Time	$t_{DS}$		20			ns	
Data Hold Time	$t_{DH}$		20			ns	
CSb Wait Time	$t_{CP}$		50			ns	9
CSb Setup Time	$t_{CS}$		50			ns	
CSb Hold Time	$t_{CH}$		50			ns	
CSb"H" Level Pulse Width	$t_{WCH}$		50			ns	
Rising Time	$t_r$				20	ns	
Falling Time	$t_f$				20	ns	

Note-9)  $t_{CP}$  is the time when SCK is kept at "H" during CSb changed from "H" to "L".

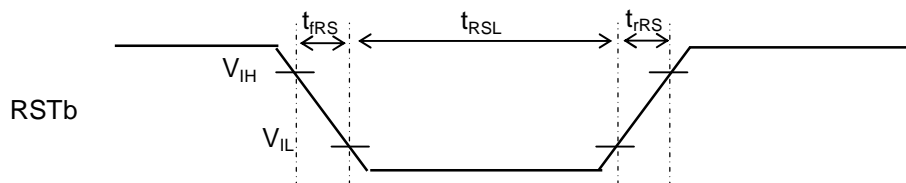
• Input Timing



• Input condition when hardware reset circuit is used

( $T_a=25^{\circ}C$ )

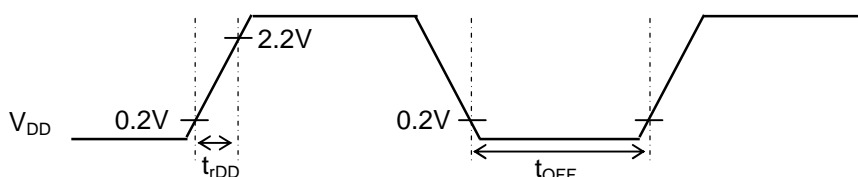
PARAMETER	SYMBOL	CONDITIONS	MIN	TYP	MAX	UNIT
Reset Input "L" Level Width	$t_{RSL}$	$f_{OSC}=15.4kHz$	1.5			ms
Reset Rising Time	$t_{RFS}$				100	ns
Reset Falling Time	$t_{RFS}$				100	ns



• Power supply condition when hardware reset circuit is used

( $T_a=-40$  to  $85^{\circ}C$ )

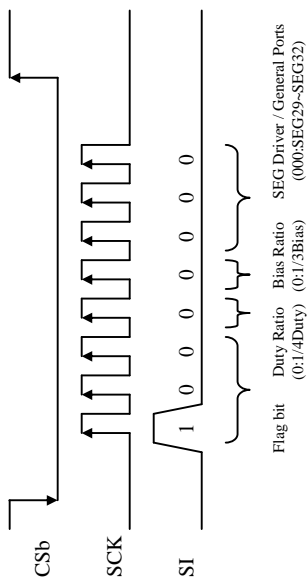
PARAMETER	SYMBOL	CONDITIONS	MIN	TYP	MAX	UNIT
Power-on Rising Time	$t_{RDD}$		0.1		5	ms
Power-off Time	$t_{OFF}$		1			ms



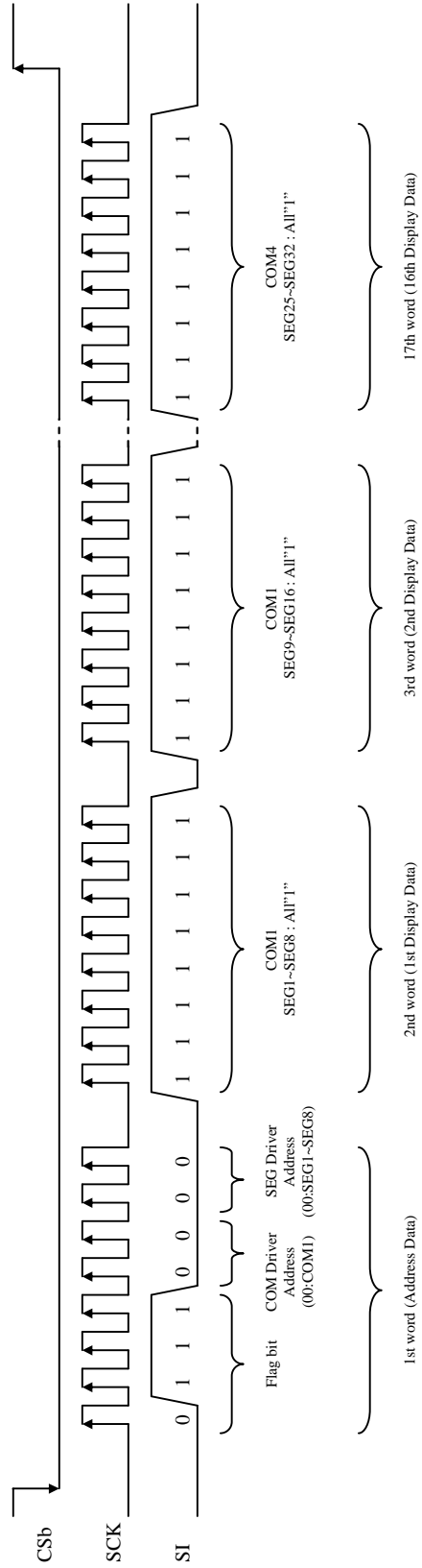
Note 10)  $t_{OFF}$  is the off time when power-supply turns off suddenly or cycles on/off.

■ EXAMPLE of SERIAL DATA TRANSFER

- Command Register Set

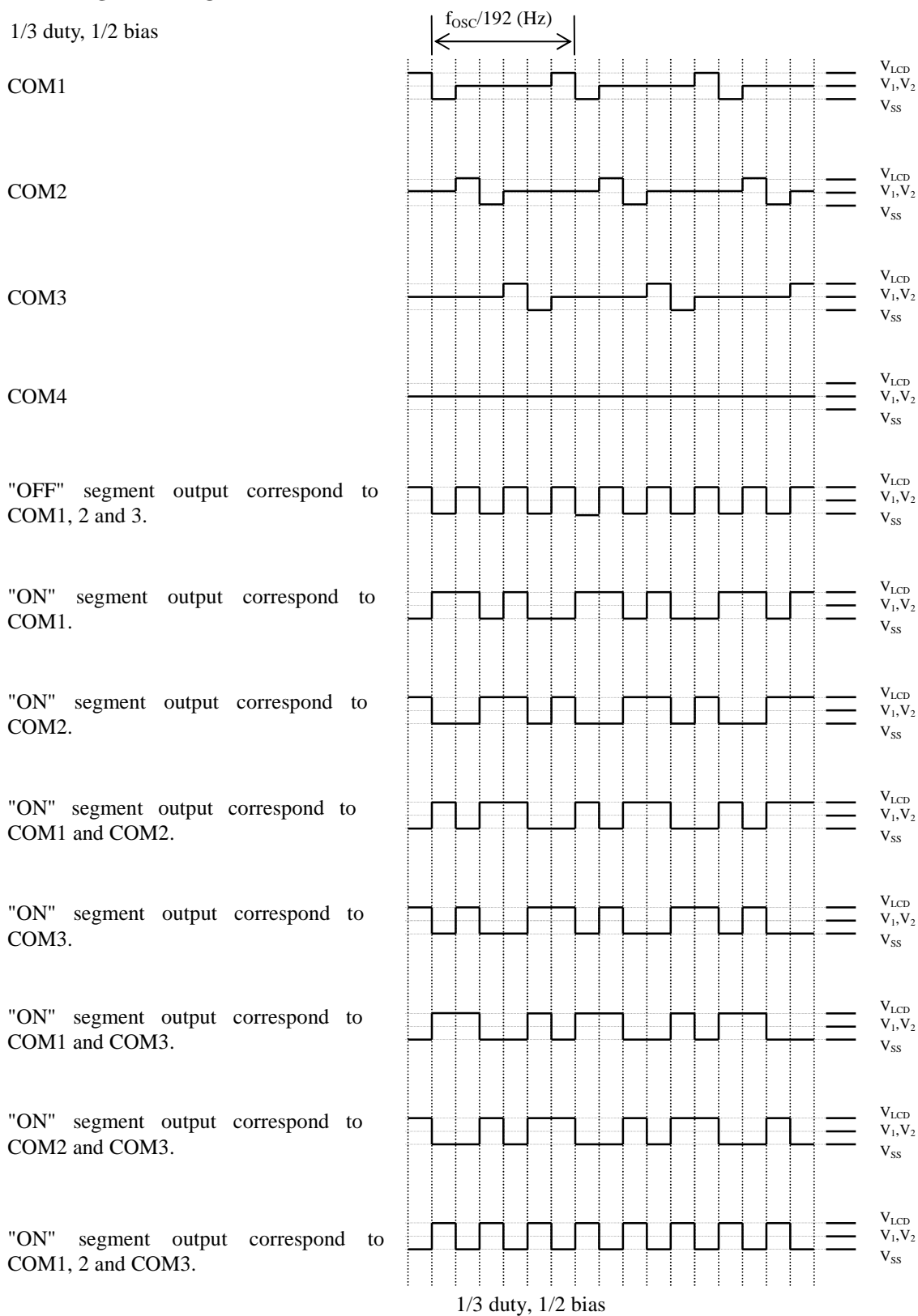


- Address Data & Display Data Set (example : all "1" data writing)



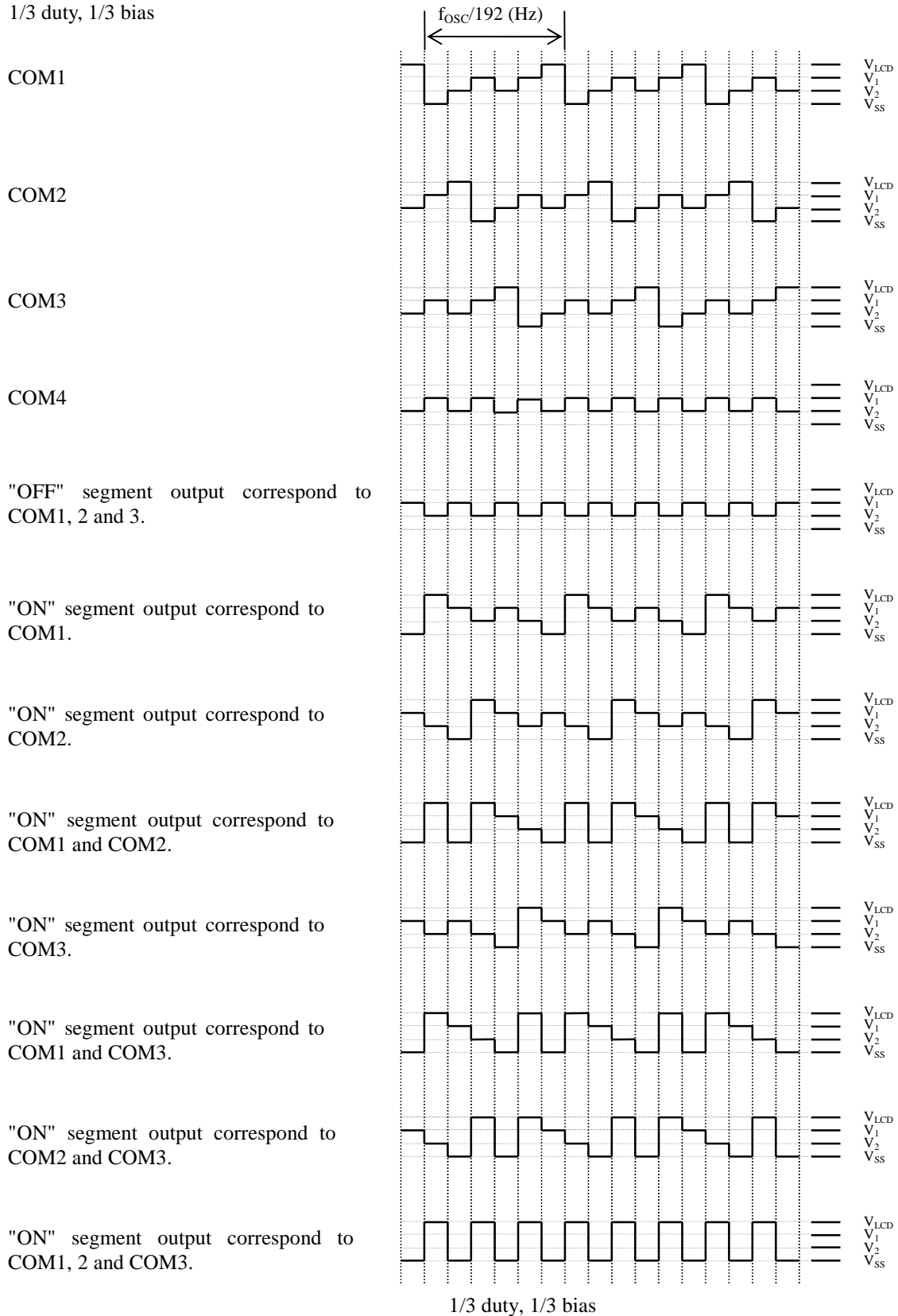
## ■ LCD DRIVING WAVEFORM

(a) 1/3 duty, 1/2 bias

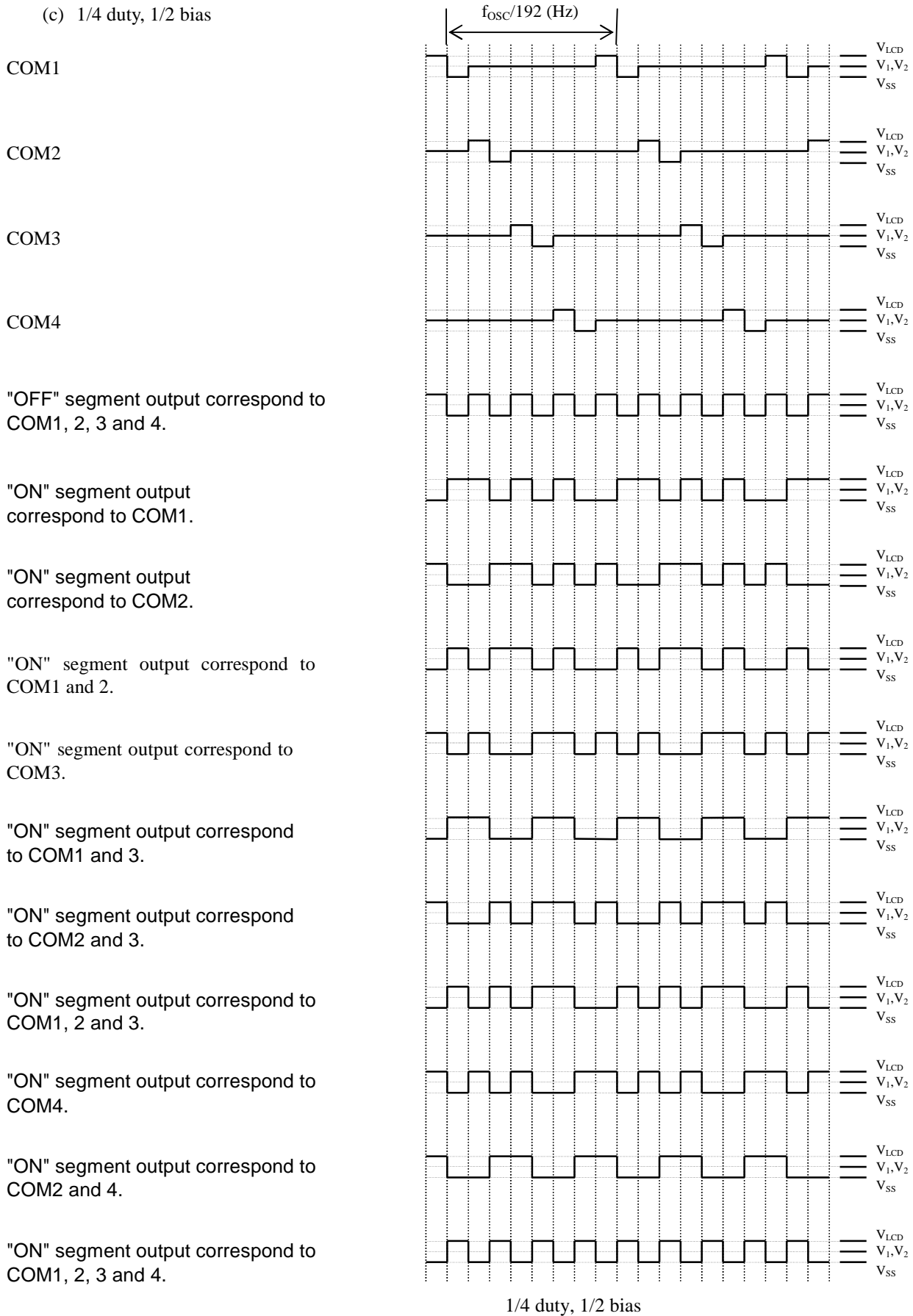




(b) 1/3 duty, 1/3 bias



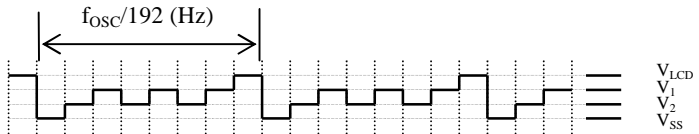
(c) 1/4 duty, 1/2 bias



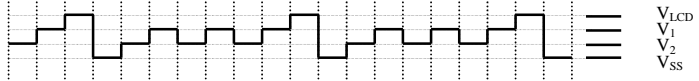
1/4 duty, 1/2 bias

(d) 1/4 duty, 1/3 bias

COM1



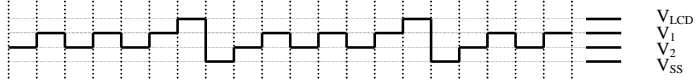
COM2



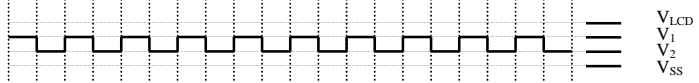
COM3



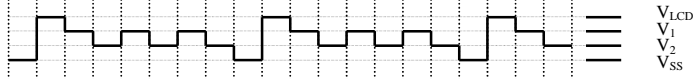
COM4



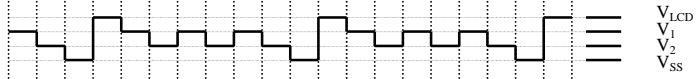
"OFF" segment output correspond to COM1, 2, 3 and 4.



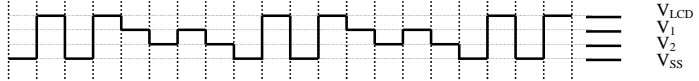
"ON" segment output correspond to COM1.



"ON" segment output correspond to COM2.



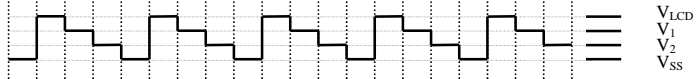
"ON" segment output correspond to COM1 and 2.



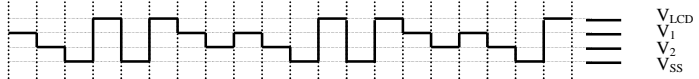
"ON" segment output correspond to COM3.



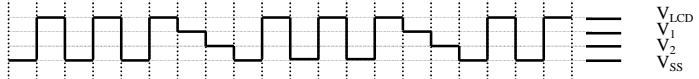
"ON" segment output correspond to COM1 and 3.



"ON" segment output correspond to COM2 and 3.



"ON" segment output correspond to COM1, 2 and 3.



"ON" segment output correspond to COM4.



"ON" segment output correspond to COM2 and 4.



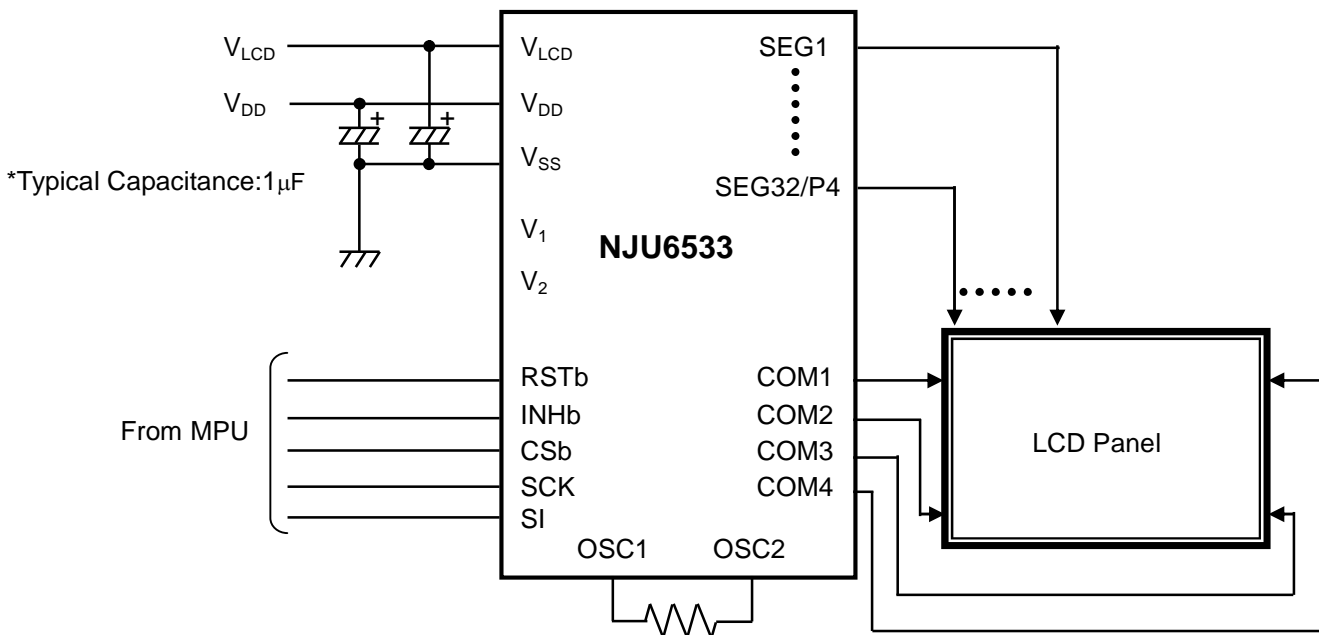
"ON" segment output correspond to COM1, 2, 3 and 4.



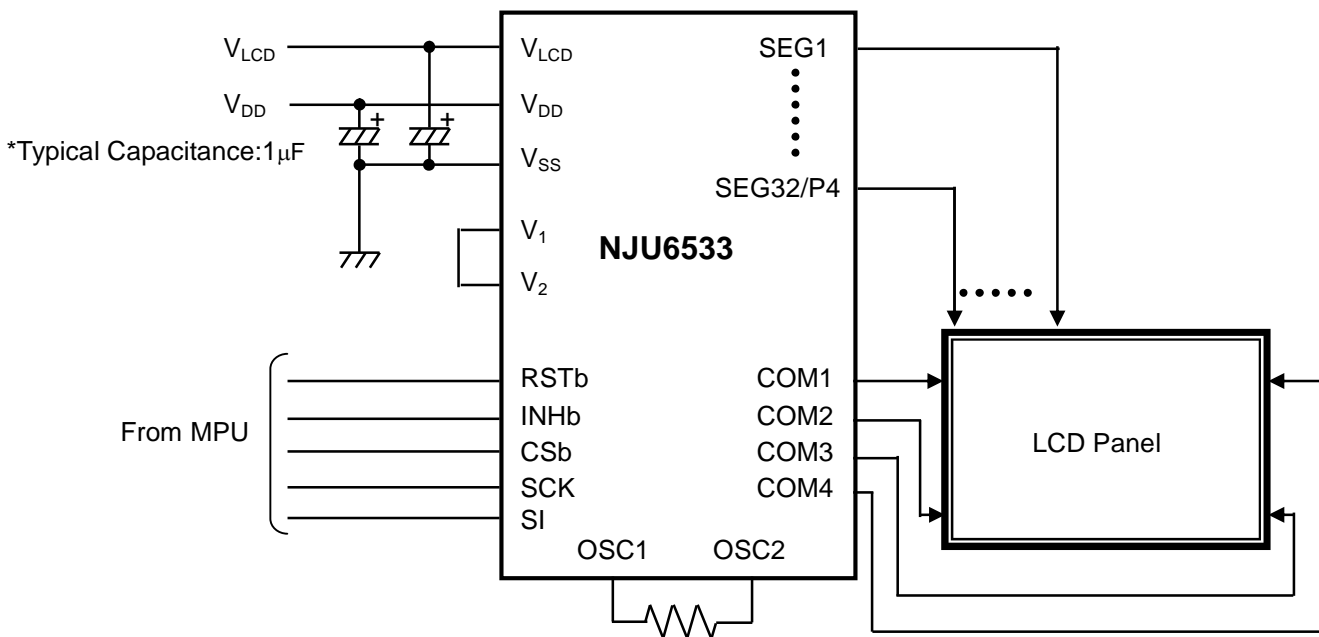
1/4 duty, 1/3 bias

## APPLICATION CIRCUIT

- 1/4 duty, 1/3 bias



- 1/4 duty, 1/2 bias



(e) Note Because display data is not yet stable just after  $V_{DD}$  on, if LCD panel is turned on, unexpected pattern will be displayed, therefore, keep INHb terminal to “L” level until data transfer from MPU is over.

[CAUTION]  
 The specifications on this databook are only given for information, without any guarantee as regards either mistakes or omissions. The application circuits in this databook are described only to show representative usages of the product and not intended for the guarantee or permission of any right including the industrial rights.

## X-ON Electronics

Largest Supplier of Electrical and Electronic Components

*Click to view similar products for [LCD Drivers](#) category:*

*Click to view products by [Nisshinbo](#) manufacturer:*

Other Similar products are found below :

[LC75836WH-E](#) [CD4056BE](#) [LC75829PW-H](#) [LC75852W-E](#) [LC79430KNE-E](#) [LC79431KNE-E](#) [FAN7317BMX](#) [LC75839PW-H](#) [LC75884W-E](#) [LC75814VS-TLM-E](#) [MAX25520ATEC/V+](#) [MAX25520ATEB/VY+](#) [BU9795AFV-E2](#) [PCF8566T/1.118](#) [TPS65132A0YFFR](#) [BU9795AKV-E2](#) [34801000](#) [BU97510CKV-ME2](#) [BU97520AKV-ME2](#) [ICL7136CM44Z](#) [BL55070](#) [BL55066](#) [MAX1605ETT+T](#) [MAX16928BGUP/V+](#) [ICL7129ACPL+](#) [MAX131CMHD](#) [MAX138CMH+D](#) [MAX1491CAI+](#) [MAX1518BETJ+](#) [MAX1606EUA+](#) [MAX138CQH+TD](#) [MAX25520ATEB/V+](#) [MAX16929AGUI/V+](#) [MAX16929CGUI/V+](#) [MAX16929DGUI/V+](#) [MAX8570ELT+T](#) [MAX8570EUT+T](#) [MAX8571EUT+T](#) [MAX8575EUT+T](#) [MAX8795AGCJ/V+](#) [MAX138CPL+](#) [AY0438-I/L](#) [AY0438/L](#) [HV66PG-G](#) [HV881K7-G](#) [TC7106CKW](#) [TC7106CPL](#) [TC7116CPL](#) [TC7126CLW](#) [TC7126CPL](#)