

## 45V $I_o=300\text{mA}$ LDO

### FEATURES

- AEC-Q100 grade 1 qualified (T1 specification only)
- Fast Transient Response
- Operating Voltage                   4.0V to 40V
- Operating Temperature            $T_a=-40^\circ\text{C}$  to  $125^\circ\text{C}$
- Output Voltage Accuracy        $V_o \pm 1.0\%$  ( $T_a=25^\circ\text{C}$ )  
 $V_o \pm 1.5\%$  ( $T_a=-40^\circ\text{C}$  to  $125^\circ\text{C}$ )
- Output Current                      $I_o(\text{min.})=300\text{mA}$
- ON/OFF Control                    A ver. only
- Correspond to MLCC
- Under Voltage Lock Out circuit
- Thermal Shutdown Circuit
- Over Current Protection Circuit
- Package Outline                    A ver. SOT-89-5-2  
  B ver. SOT-89-3

### APPLICATION

- Automotive infotainment
- Automotive ECU unit
- Industrial equipment

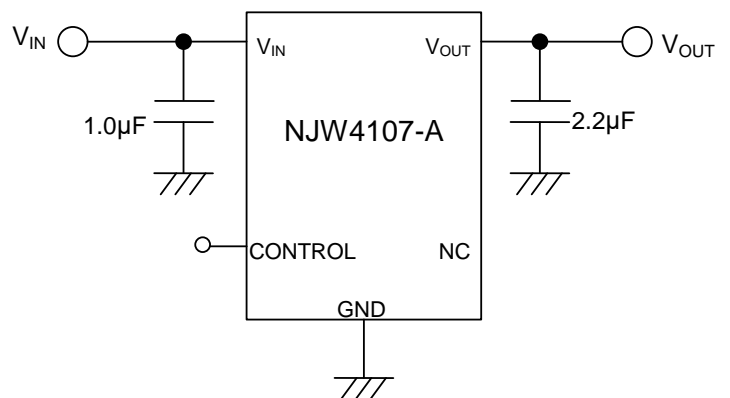
### GENERAL DESCRIPTION

The NJW4107 is a 45V,  $I_o=300\text{mA}$  fast response low dropout regulator. It achieves fast transient response, therefore it provides stable output voltage at line/load fluctuations.

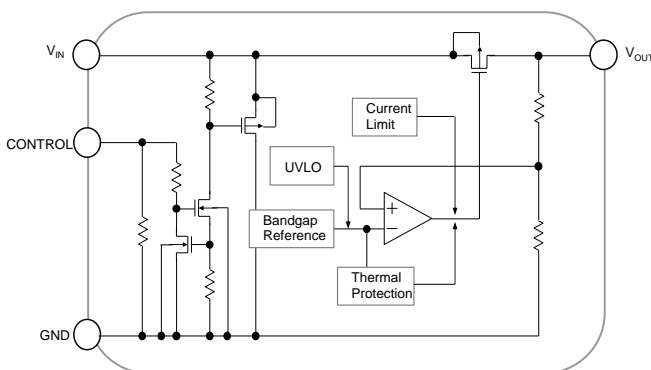
Output voltage accuracy is guaranteed  $\pm 1.5\%$  under wide range conditions:  $V_{IN}=V_o+1\text{V}$  to 40V,  $I_o=0\text{mA}$  to 300mA and  $T_a=-40^\circ\text{C}$  to  $125^\circ\text{C}$ .

Because of wide input voltage range and wide operating temperature range, the NJW4107 is suitable for various applications including automotive applications.

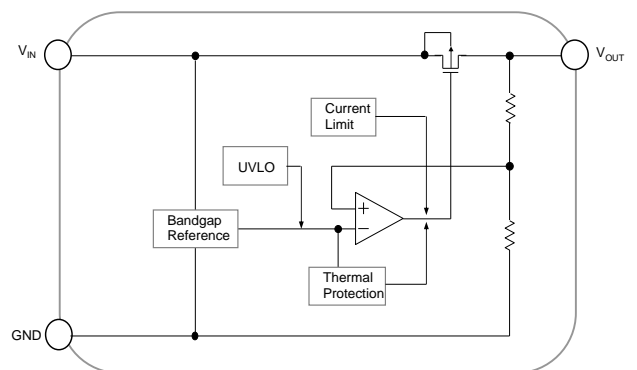
### TYPICAL APPLICATION



### BLOCK DIAGRAM



A version



B version

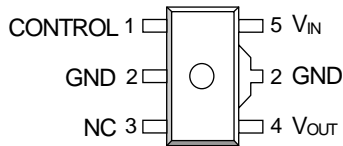
### ■OUTPUT VOLTAGE RANK

SOT-89-5-2

SOT-89-3

PART NUMBER	OUTPUT VOLTAGE	PART NUMBER	OUTPUT VOLTAGE
NJW4107U2-33A / -T1	3.3V	NJW4107U3-33B / -T1	3.3V
NJW4107U2-05A / -T1	5.0V	NJW4107U3-05B / -T1	5.0V

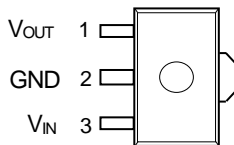
### ■PIN CONFIGURATION



SOT-89-5-2

PIN NO.	SYMBOL	DESCRIPTION
1	CONTROL	ON/OFF Control
2	GND	Ground
3	NC	No Connection*
4	V <sub>OUT</sub>	Output
5	V <sub>IN</sub>	Input

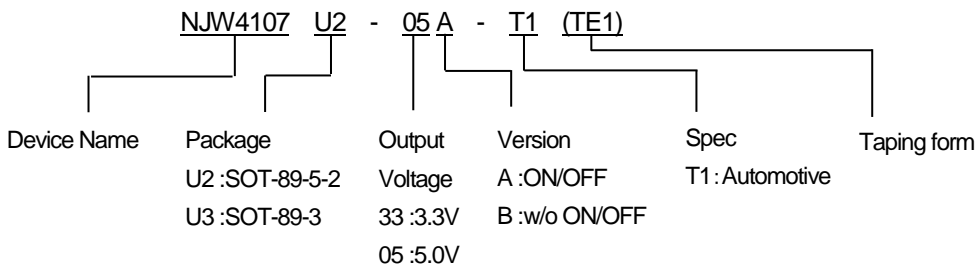
\*Note) NC pin is not connect to internally circuit. This pin can be open or connected to ground. Connecting to ground is recommended to improve thermal dissipation.



SOT-89-3

PIN NO.	SYMBOL	DESCRIPTION
1	V <sub>OUT</sub>	Output
2	GND	Ground
3	V <sub>IN</sub>	Input

### ■MARK INFORMATION



### ■ORDERING INFORMATION

PART NUMBER	OUTPUT VOLTAGE	PACKAGE OUTLINE	AUTOMOTIVE SPEC	RoHS	HALOGEN-FREE	TERMINAL FINISH	MARKING	WEIGHT (mg)	MOQ (pcs)
NJW4107U2-33A	3.3V	SOT-89-5-2	-	yes	yes	Sn-2Bi	131	61	1000
NJW4107U2-05A	5.0V	SOT-89-5-2	-	yes	yes	Sn-2Bi	141	61	1000
NJW4107U2-33A-T1	3.3V	SOT-89-5-2	yes	yes	yes	Sn-2Bi	151	61	1000
NJW4107U2-05A-T1	5.0V	SOT-89-5-2	yes	yes	yes	Sn-2Bi	161	61	1000
NJW4107U3-33B	3.3V	SOT-89-3	-	yes	yes	Sn-2Bi	33D	61	1000
NJW4107U3-05B	5.0V	SOT-89-3	-	yes	yes	Sn-2Bi	50D	61	1000
NJW4107U3-33B-T1	3.3V	SOT-89-3	yes	yes	yes	Sn-2Bi	33R	61	1000
NJW4107U3-05B-T1	5.0V	SOT-89-3	yes	yes	yes	Sn-2Bi	50R	61	1000

Note) "-" is non-evaluation. Please contact your sales representative for more information.

Note) AEC-Q100 grade 1 qualified T1 specification only

**■ABSOLUTE MAXIMUM RATINGS**

PARAMETER	SYMBOL	RATINGS	UNIT
Input Voltage	V <sub>IN</sub>	-0.3 to +45	V
Control Pin Voltage <sup>(1)</sup>	V <sub>CONT</sub>	-0.3 to +45	V
Output Voltage	V <sub>OUT</sub>	-0.3 to V <sub>IN</sub> ≤ +17	V
Power Dissipation(T <sub>a</sub> =25°C) SOT-89	P <sub>D</sub>	(2-layer / 4-layer) 625 <sup>(2)</sup> / 2400 <sup>(3)</sup>	mW
Junction Temperature Range	T <sub>j</sub>	-40 to +150	°C
Operating Temperature Range	T <sub>opr</sub>	-40 to +125	°C
Storage Temperature Range	T <sub>stg</sub>	-50 to +150	°C

(1): Applied for A version.

(2): Mounted on glass epoxy board. (76.2×114.3×1.6mm: based on EIA/JEDEC standard, 2Layers)

(3): Mounted on glass epoxy board. (76.2×114.3×1.6mm: based on EIA/JEDEC standard, 4Layers), internal Cu area: 74.2x74.2mm  
(For 4Layers :Applying 74.2 x 74.2mm inner Cu area and thermal via hole to board based on JEDEC standard JESD51-5)

**■RECOMMENDED OPERATING CONDITIONS**

PARAMETER	SYMBOL	RATINGS	UNIT
Operating Voltage Range	V <sub>IN</sub>	4.0 to 40	V
Control Voltage	V <sub>CONT</sub>	0 to 40	V

**■ ELECTRICAL CHARACTERISTICS**

 Unless other noted,  $V_{IN}=V_O+1V$ ,  $C_{IN}=1.0\mu F$ ,  $C_O=2.2\mu F$ ,  $T_a=25^\circ C$ 

PARAMETER	SYMBOL	TEST CONDITION	MIN.	TYP.	MAX.	UNIT	
Output Voltage	$V_O$	$V_{IN} = V_O + 1V$ to 40V, $I_O = 0mA$ to 300mA,	-1.0%	-	+1.0%	V	
		$V_{IN} = V_O + 1V$ to 40V, $I_O = 0mA$ to 300mA, $T_a = -40^\circ C$ to $+125^\circ C$	-1.5%	-	+1.5%		
Quiescent Current	$I_Q$	A version, $I_O = 0mA$ , except $I_{CONT}$	-	75	125	$\mu A$	
		A version, $I_O = 0mA$ , except $I_{CONT}$ , $T_a = -40^\circ C$ to $+125^\circ C$	-	-	135		
		B version, $I_O = 0mA$	-	70	120		
		B version, $I_O = 0mA$ , $T_a = -40^\circ C$ to $+125^\circ C$	-	-	130		
Quiescent Current at Control OFF (4)	$I_{Q(OFF)}$	$V_{CONT} = 0V$	-	-	1	$\mu A$	
		$V_{CONT} = 0V$ , $T_a = -40^\circ C$ to $+125^\circ C$	-	-	1		
Output Current	$I_O$	$V_O \times 0.9$	300	-	-	mA	
		$V_O \times 0.9$ , $T_a = -40^\circ C$ to $+125^\circ C$	300	-	-		
Line Regulation	$\Delta V_O / \Delta V_{IN}$	$V_{IN} = V_O + 1V$ to 40V, $I_O = 30mA$	$V_O = 3.3V$	-	-	23.5	mV
			$V_O = 5.0V$	-	-	34.0	
		$V_{IN} = V_O + 1V$ to 40V, $I_O = 30mA$ , $T_a = -40^\circ C$ to $+125^\circ C$	$V_O = 3.3V$	-	-	35.3	
			$V_O = 5.0V$	-	-	51.0	
Load Regulation	$\Delta V_O / \Delta I_O$	$I_O = 0mA$ to 300mA	$V_O = 3.3V$	-	-	14.8	mV
			$V_O = 5.0V$	-	-	22.5	
		$I_O = 0mA$ to 300mA, $T_a = -40^\circ C$ to $+125^\circ C$	$V_O = 3.3V$	-	-	29.7	
			$V_O = 5.0V$	-	-	45.0	
Ripple Rejection	RR	$V_{IN} = V_O + 1V$ , $e_{in} = 200mV_{rms}$ , $f = 1kHz$ , $I_O = 10mA$	$V_O = 3.3V$	-	56	-	dB
			$V_O = 5.0V$	-	53	-	
Dropout Voltage (5)	$\Delta V_{IO}$	$I_O = 100mA$	-	0.12	0.20	V	
		$I_O = 100mA$ , $T_a = -40^\circ C$ to $+125^\circ C$	-	-	0.40		
Control Current (4)	$I_{CONT}$	$V_{CONT} = 1.6V$	-	0.5	2	$\mu A$	
		$V_{CONT} = 1.8V$ , $T_a = -40^\circ C$ to $+125^\circ C$	-	-	3		
Control Voltage for ON-state (4)	$V_{CONT(ON)}$		1.6	-	-	V	
		$T_a = -40^\circ C$ to $+125^\circ C$	1.8	-	-		
Control Voltage for OFF-state (4)	$V_{CONT(OFF)}$		-	-	0.6	V	
		$T_a = -40^\circ C$ to $+125^\circ C$	-	-	0.6		
UVLO Release Voltage	$V_{UVLO}$	$V_{IN} = L \rightarrow H$	2.4	2.8	3.2	V	
		$V_{IN} = L \rightarrow H$ , $T_a = -40^\circ C$ to $+125^\circ C$	2.3	-	3.3		
UVLO Hysteresis Voltage	$V_{HYS}$	$V_{IN} = H \rightarrow L$	100	350	-	mV	
		$V_{IN} = H \rightarrow L$ , $T_a = -40^\circ C$ to $+125^\circ C$	100	-	-		
Average Temperature Coefficient of Output Voltage	$\Delta V_O / \Delta T_a$	$T_a = -40^\circ C$ to $125^\circ C$ , $I_O = 30mA$	-	$\pm 50$	-	ppm/ $^\circ C$	

(4): Applied for A version.

(5): Except Output Voltage Rank less than 3.8V

 Characteristics value of under  $T_a = -40^\circ C$  to  $+125^\circ C$  applied only "T1" spec.

■ **THERMAL CHARACTERISTICS**

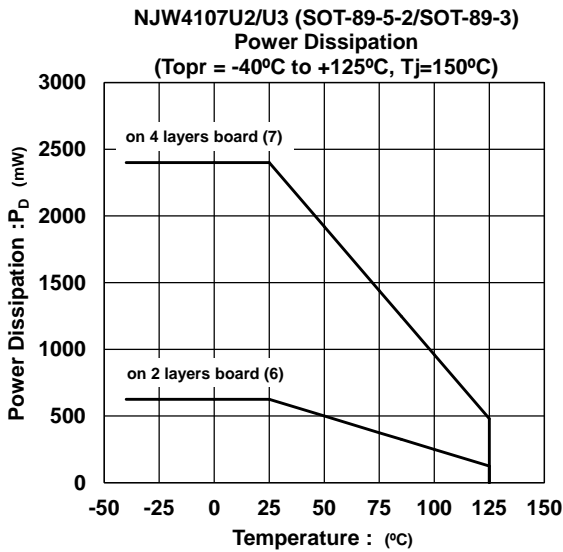
PARAMETER	SYMBOL	VALUE		UNIT
Junction-to-ambient thermal resistance	$\theta_{ja}$	SOT-89-3/-5-2	200 <sup>(6)</sup> 52 <sup>(7)</sup>	°C/W
Junction-to-Top of package characterization parameter	$\psi_{jt}$	SOT-89-3/-5-2	43 <sup>(6)</sup> 19 <sup>(7)</sup>	°C/W

(6): Mounted on glass epoxy board. (76.2×114.3×1.6mm: based on EIA/JEDEC standard, 2Layers)

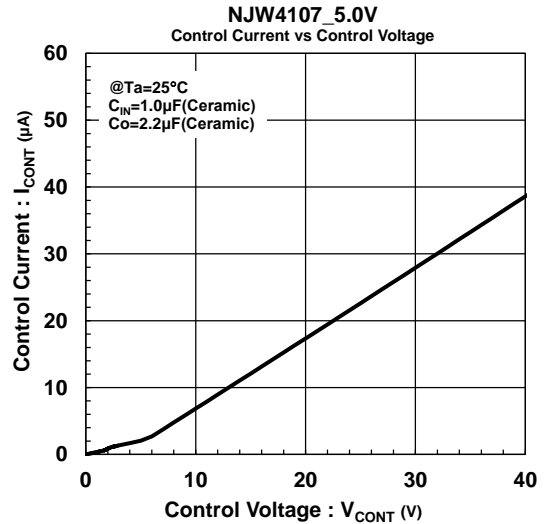
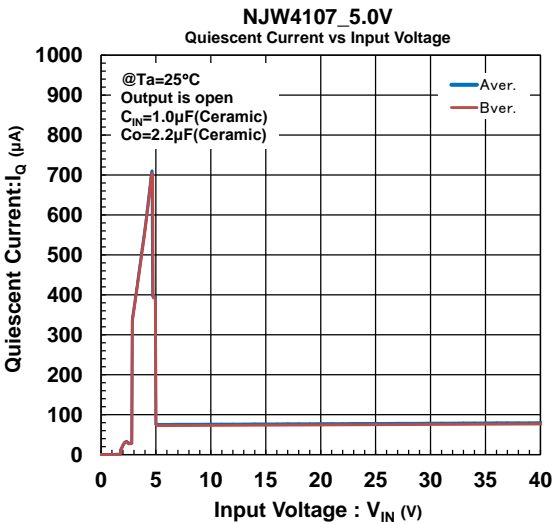
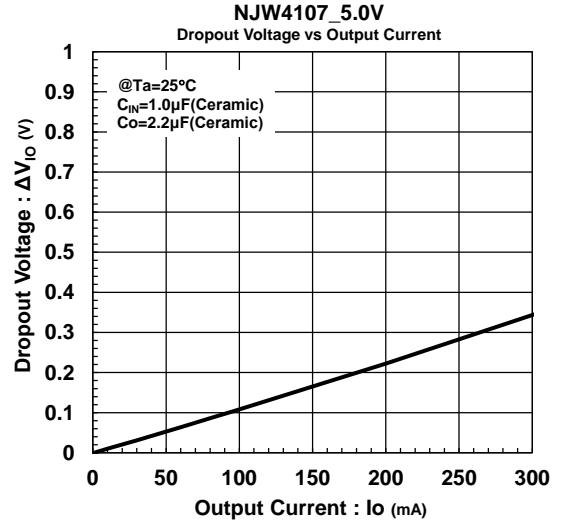
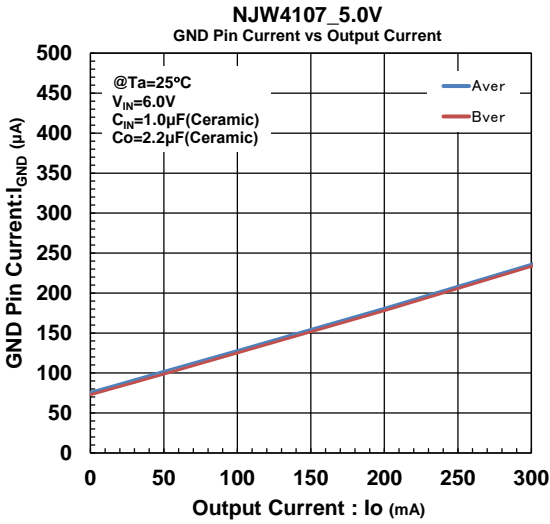
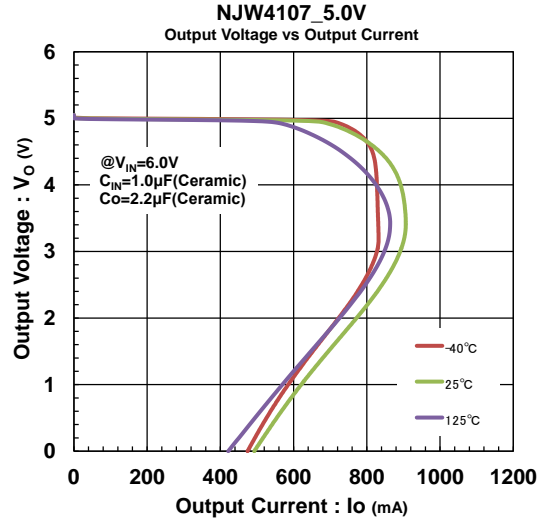
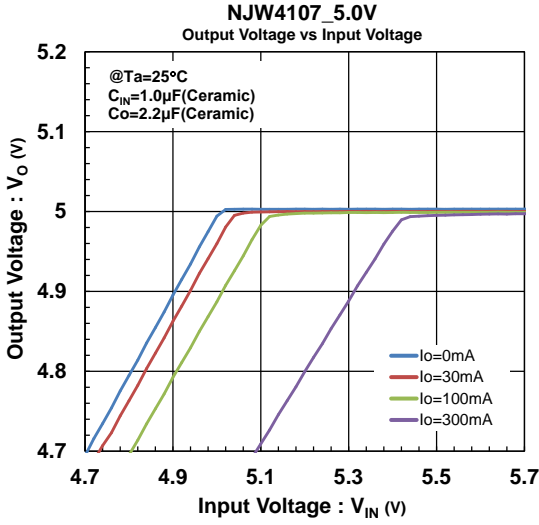
(7): Mounted on glass epoxy board. (76.2×114.3×1.6mm: based on EIA/JEDEC standard, 4Layers), internal Cu area: 74.2x74.2mm

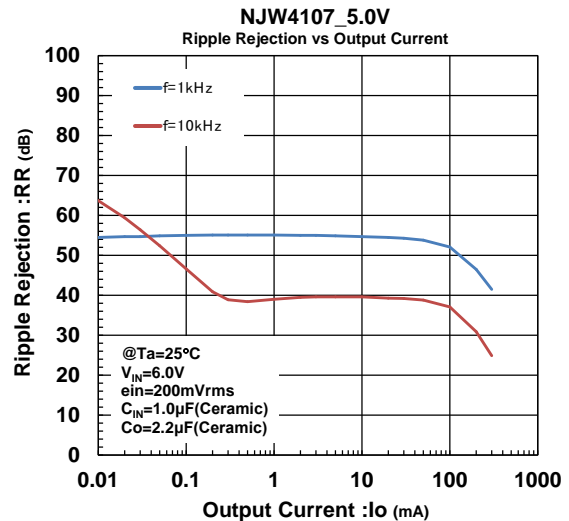
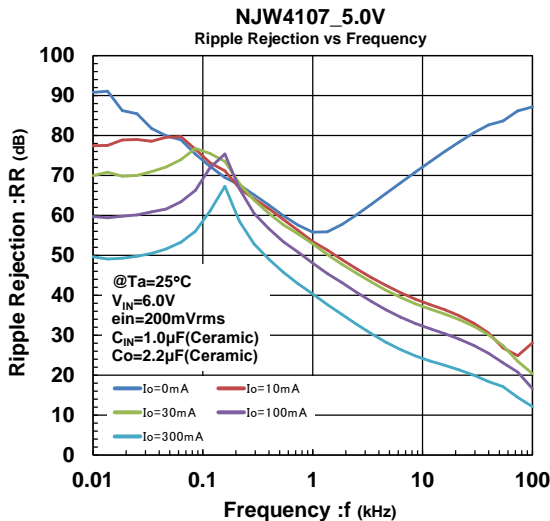
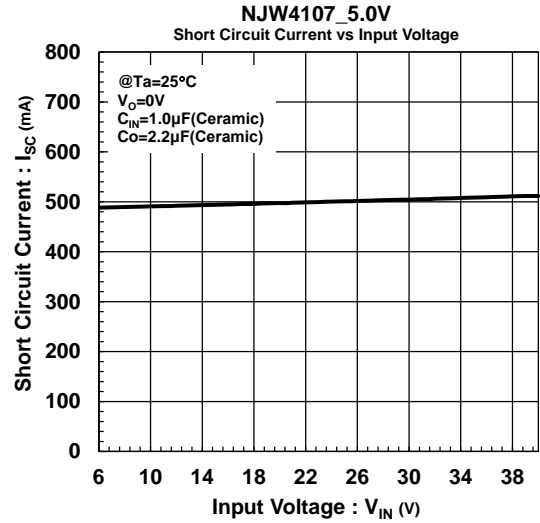
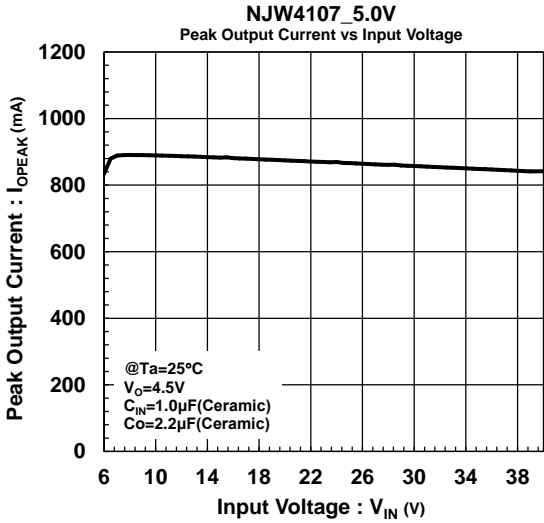
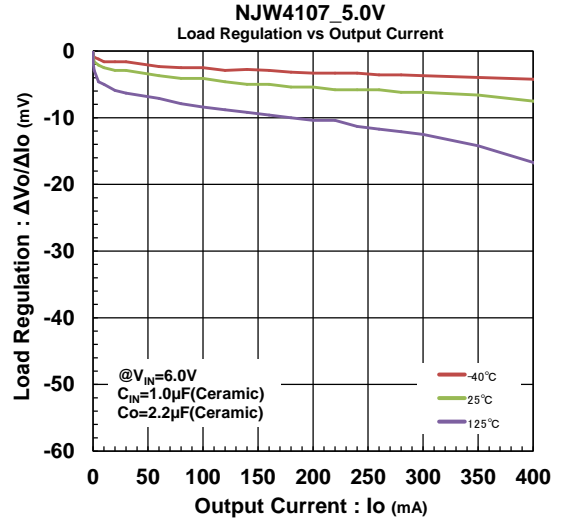
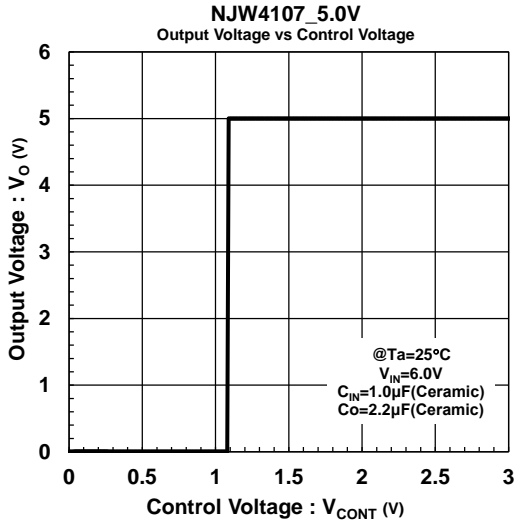
(For 4Layers :Applying 74.2 x 74.2mm inner Cu area and thermal via hole to board based on JEDEC standard JESD51-5)

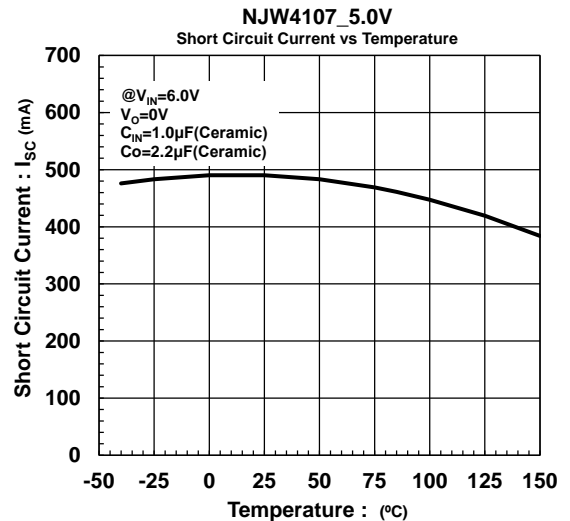
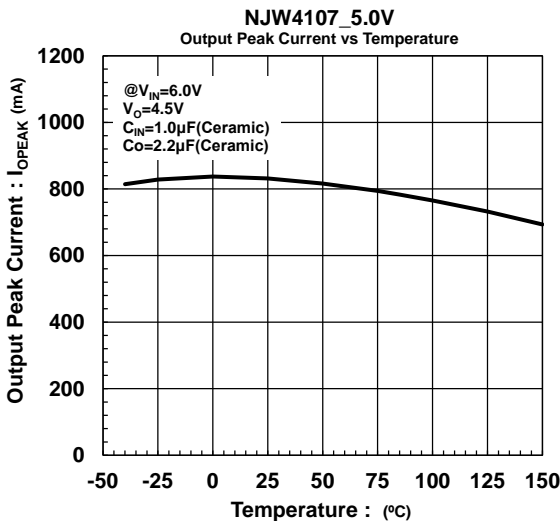
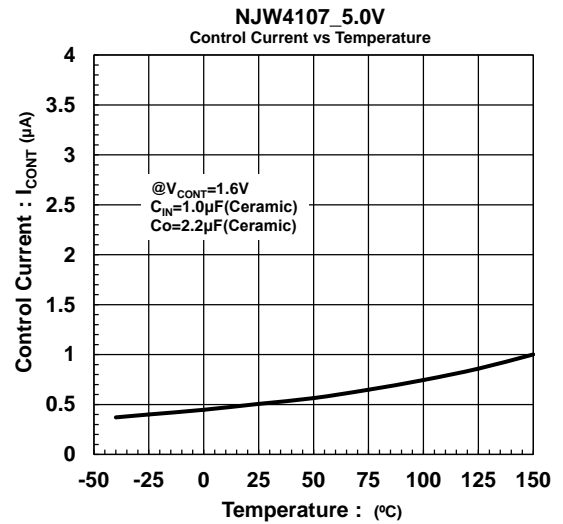
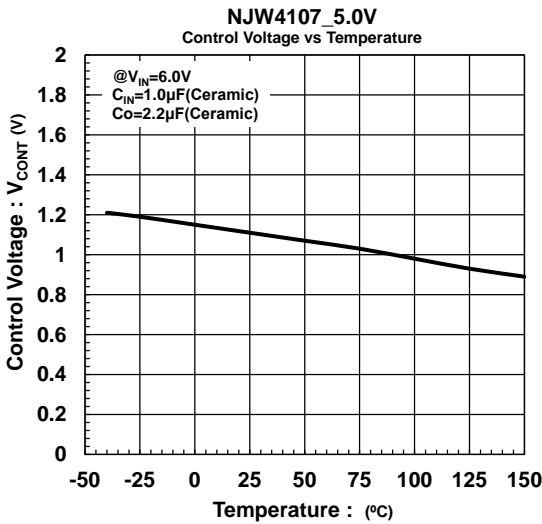
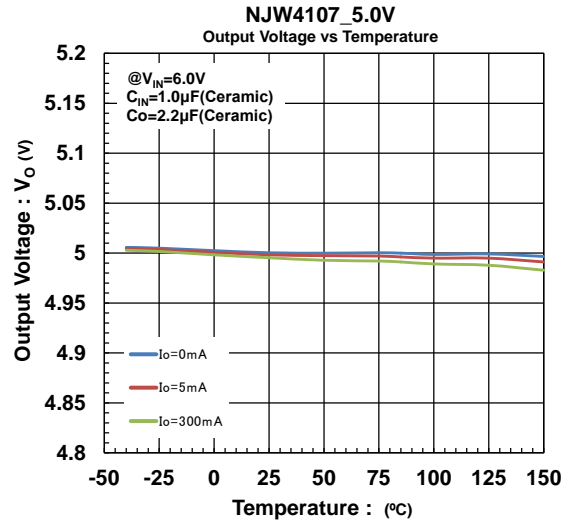
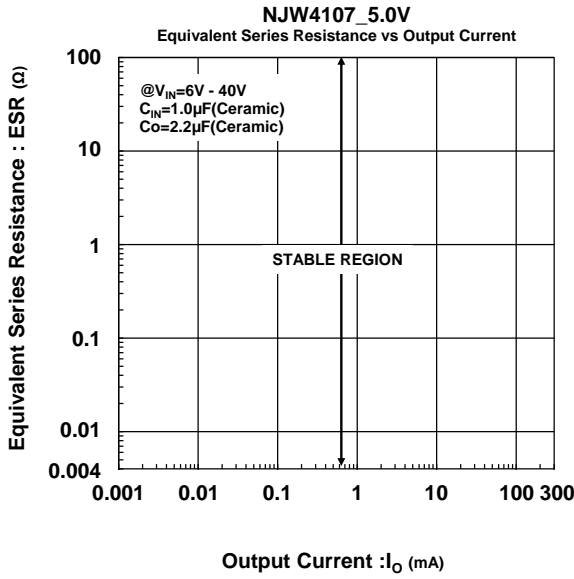
■ **POWER DISSIPATION vs. AMBIENT TEMPERATURE**



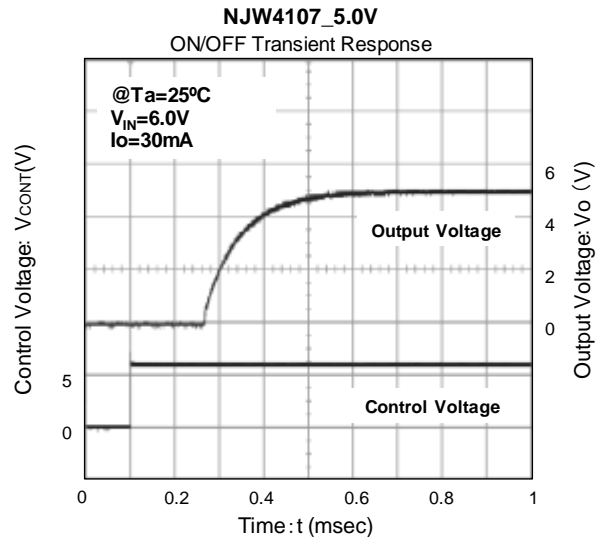
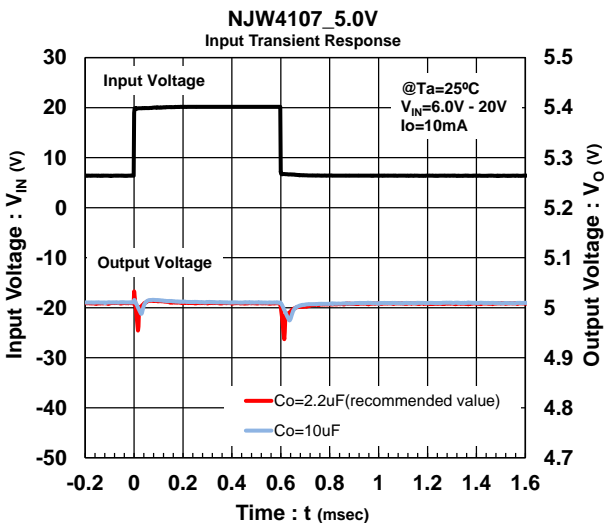
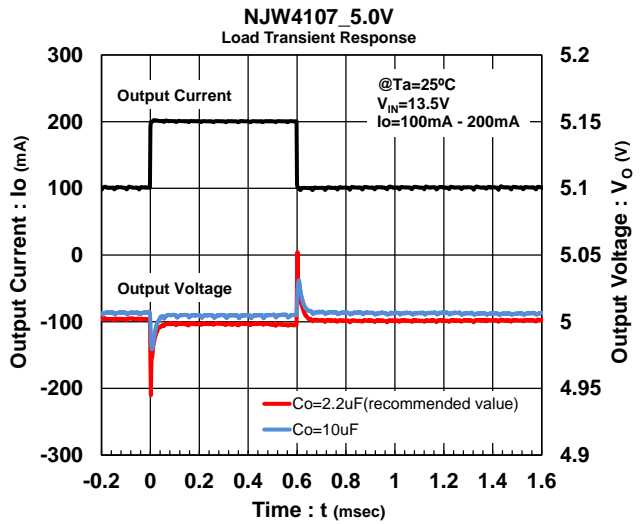
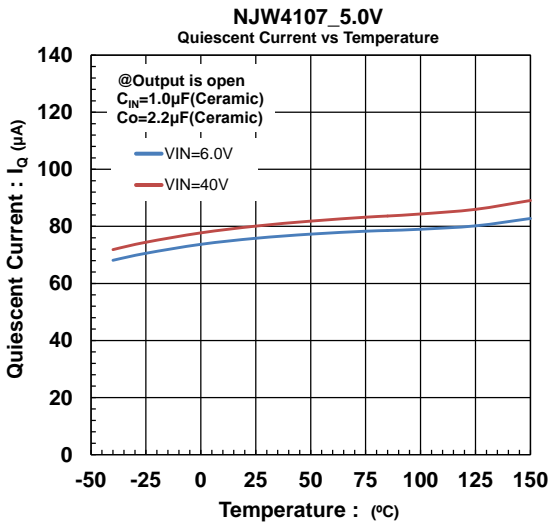
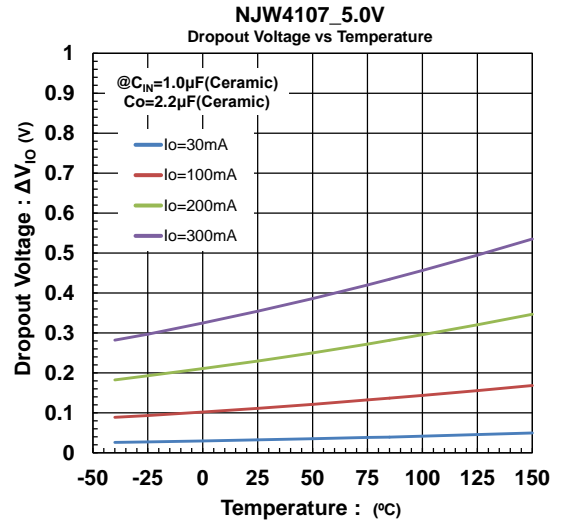
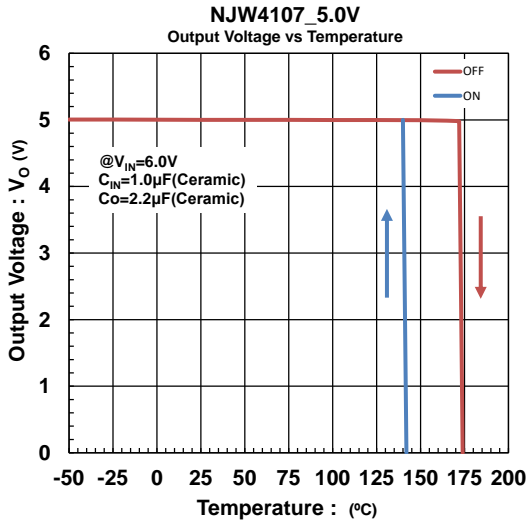
■ TYPICAL CHARACTERISTICS







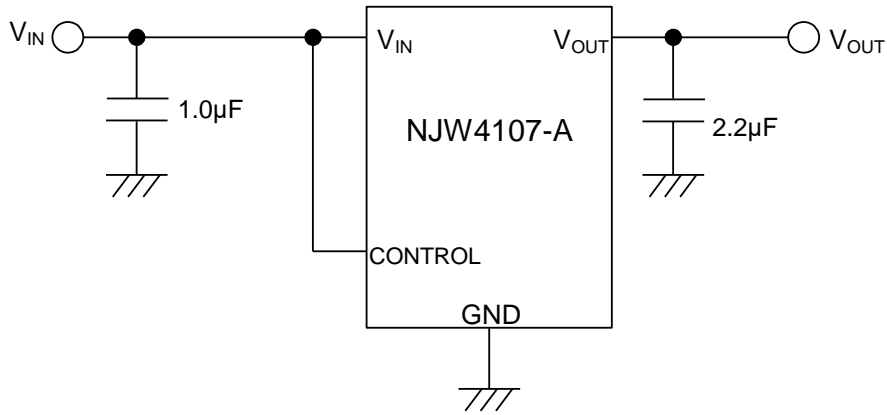




■ TYPICAL APPLICATION

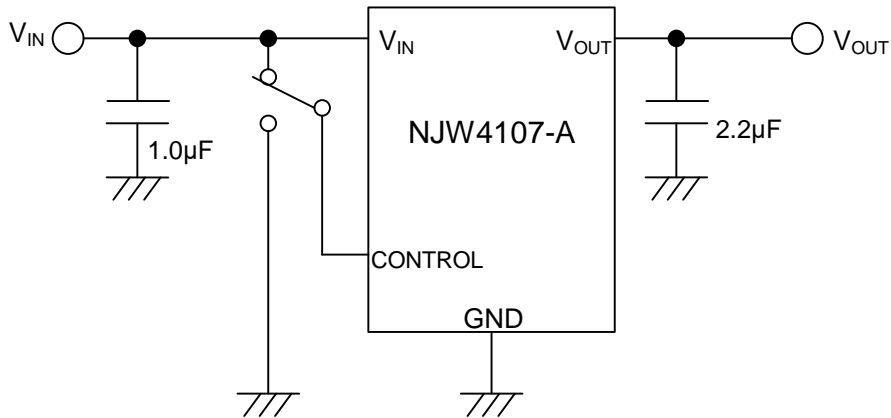
● A version

1. In the case where ON/OFF Control is not required



Connect CONTROL Pin to V<sub>IN</sub> Pin

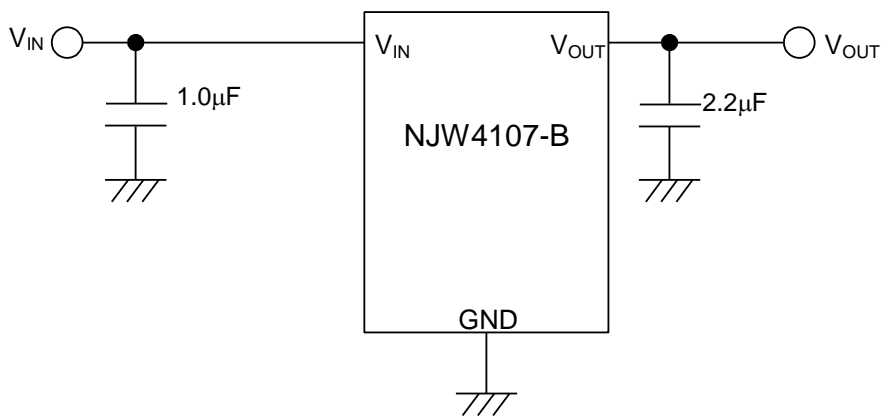
2. In use of ON/OFF CONTROL



State of CONTROL Pin:

“H” → output is enabled. “L” or “open” → output is disabled

● B version



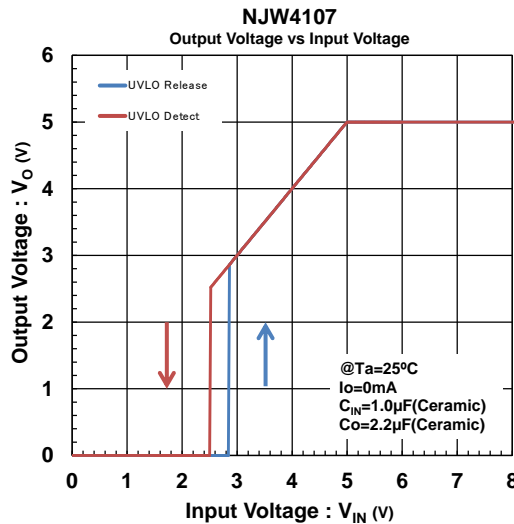
■APPLICATION NOTE / GLOSSARY

\*Under Voltage Lockout UVLO

The NJW4107 includes UVLO circuit to prevent malfunction in case of low input voltage.

When the input voltage increases and exceeds the “UVLO Release voltage” (2.8V typ.),UVLO is released and the output voltage rises up.

The UVLO circuit has hysteresis(350mV typ.). Therefore, if the input voltage decreases below the threshold voltage:“UVLO Release voltage” – “UVLO Hysteresis Voltage”, the output voltage shuts down.



\*Input Capacitor CIN

The input capacitor CIN is required in order to prevent oscillation and reduce power supply ripple of applications when high power supply impedance or a long power supply line.

Therefore, the recommended capacitance (refer to conditions of ELECTRIC CHARACTERISTIC) or larger input capacitor, connected between VIN and GND as short path as possible, is recommended in order to avoid the problem.

\*Output Capacitor Co

The output capacitor Co is required for a phase compensation of the internal error amplifier, and the capacitance and the equivalent series resistance (ESR) influence stable operation of the regulator.

If use a smaller output capacitor than the recommended capacitance (refer to conditions of ELECTRIC CHARACTERISTIC), it may cause excess output noise or oscillation of the regulator due to lack of the phase compensation. Therefore, the recommended capacitance or larger output capacitor, connected between VOUT and GND as short path as possible, is recommended for stable operation. The recommended capacitance may be different by output voltage, therefore confirm the recommended capacitance of the required output voltage.

Furthermore, a larger output capacitor reduces output noise and ripple output, and also improves Output Transient Response when a load changes rapidly.

Selecting the output capacitor, should consider varied characteristics of a capacitor: frequency characteristics, temperature characteristics, DC bias characteristics and so on. Therefore, the capacitor that has a sufficient margin of the rated voltage against the output voltage and superior temperature characteristics, is recommended for Co.

■REVISION HISTORY

Date	Revision	Changes
20.Oct.,2016	Ver.1.0	New Release
17.Mar,2023	Ver.2.0	■AEC-Q100 Grade 1 qualification Added

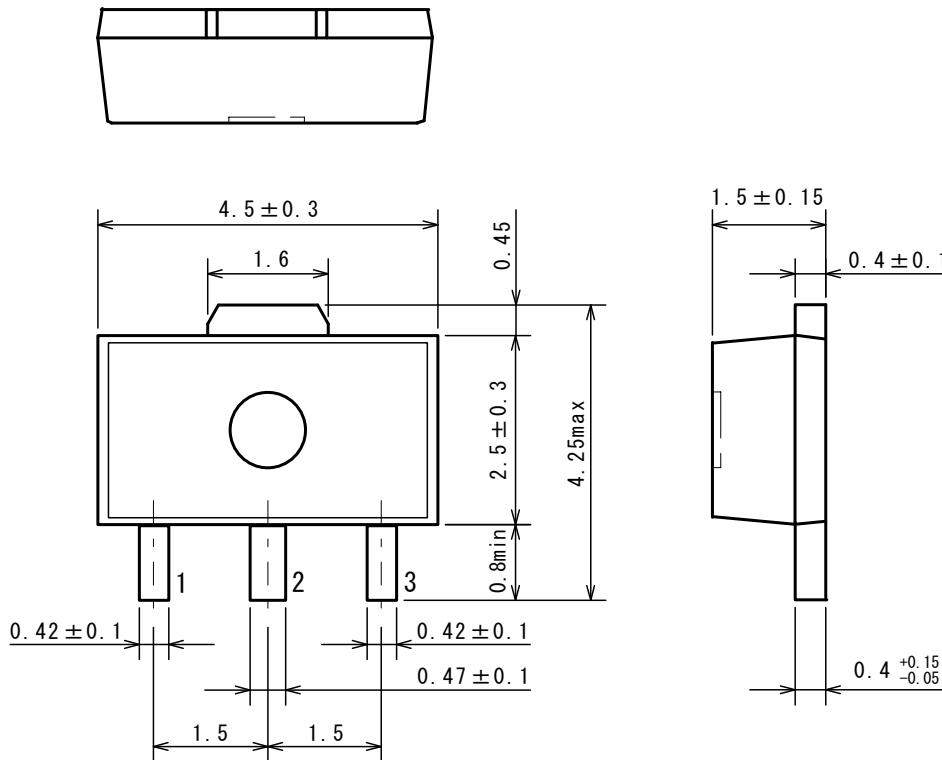
# Nisshinbo Micro Devices Inc.

SOT-89-3

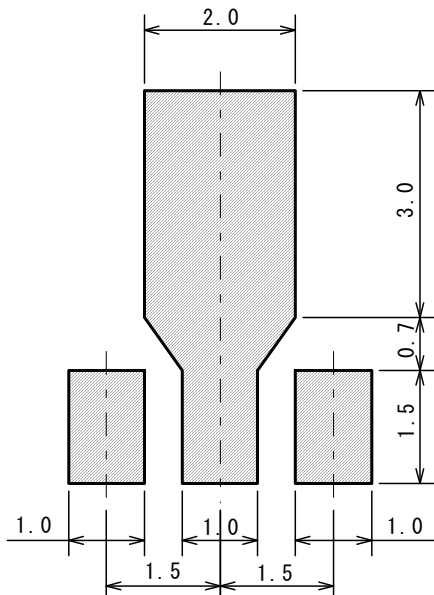
PI-SOT-89-3-E-B

## ■ PACKAGE DIMENSIONS

UNIT: mm



## ■ EXAMPLE OF SOLDER PADS DIMENSIONS



# Nisshinbo Micro Devices Inc.

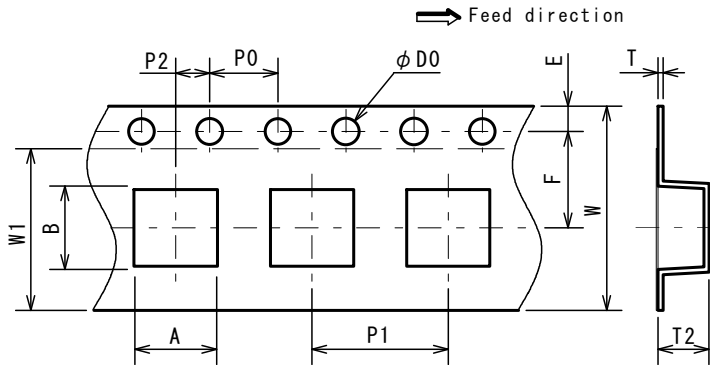
SOT-89-3

PI-SOT-89-3-E-B

■ PACKING SPEC

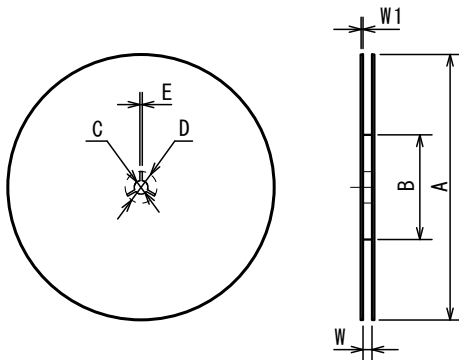
UNIT: mm

TAPING DIMENSIONS



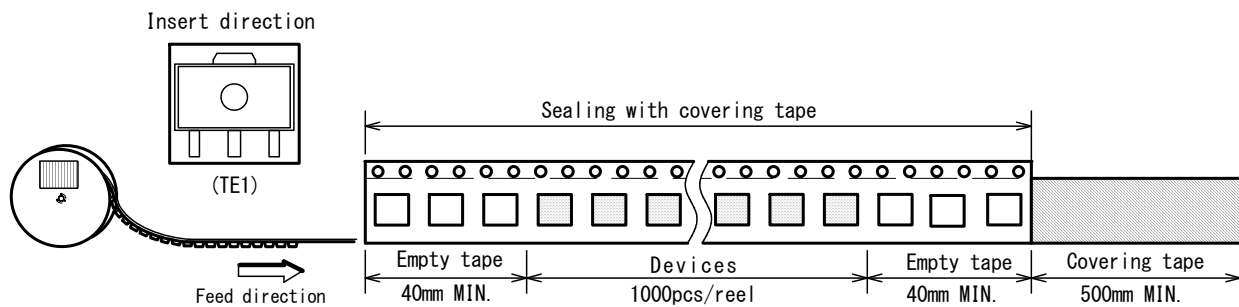
SYMBOL	DIMENSION	REMARKS
A	4.9±0.1	BOTTOM DIMENSION
B	4.5±0.1	BOTTOM DIMENSION
D0	1.5 <sup>+0.1</sup> <sub>0</sub>	
E	1.5±0.1	
F	5.65±0.05	
P0	4.0±0.1	
P1	8.0±0.1	
P2	2.0±0.05	
T	0.3±0.05	
T2	2.0	
W	12.0±0.3	
W1	9.5	THICKNESS 0.1MAX

REEL DIMENSIONS

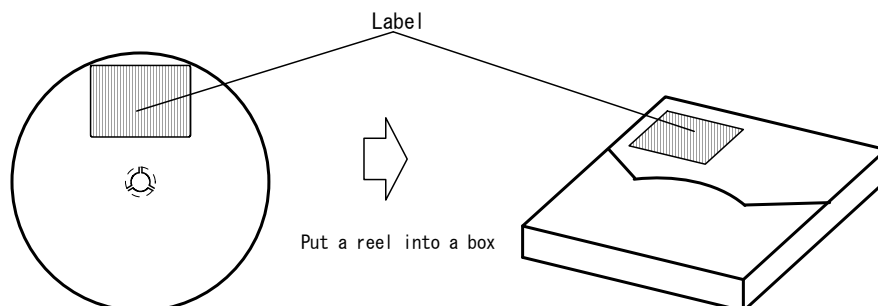


SYMBOL	DIMENSION
A	φ180±1
B	φ60±1
C	φ13±0.2
D	φ21±0.8
E	2±0.5
W	13±0.5
W1	1.2±0.2

TAPING STATE

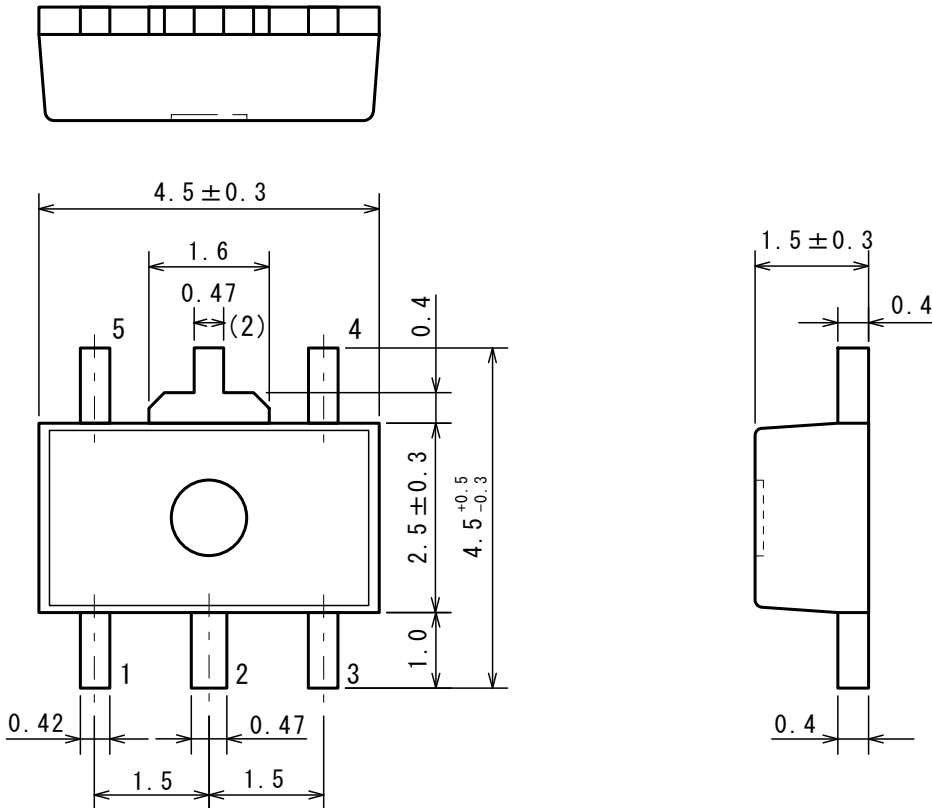


PACKING STATE

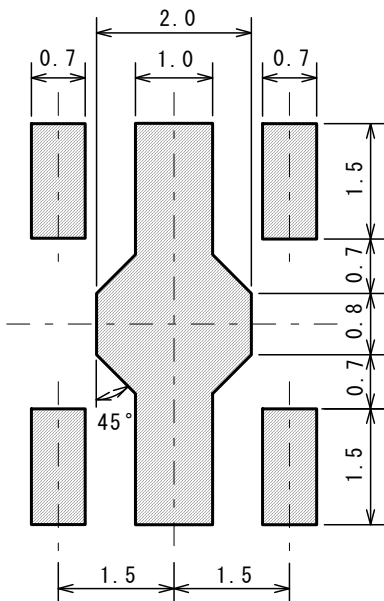


■ PACKAGE DIMENSIONS

UNIT: mm



■ EXAMPLE OF SOLDER PADS DIMENSIONS



# Nisshinbo Micro Devices Inc.

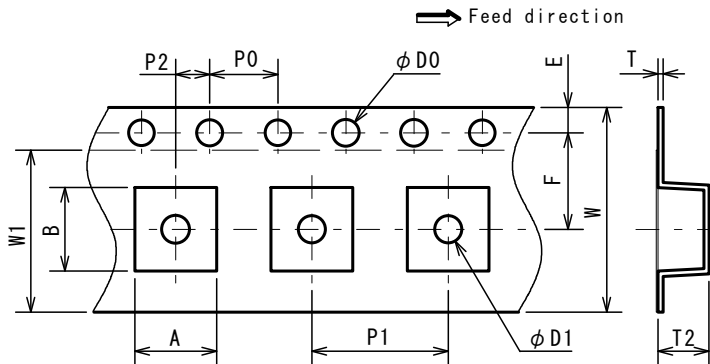
SOT-89-5-1 / SOT-89-5-2

PI-SOT-89-5-1 / SOT-89-5-2-E-B

## PACKING SPEC

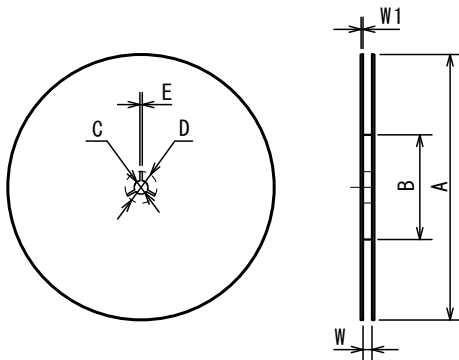
UNIT: mm

### TAPING DIMENSIONS



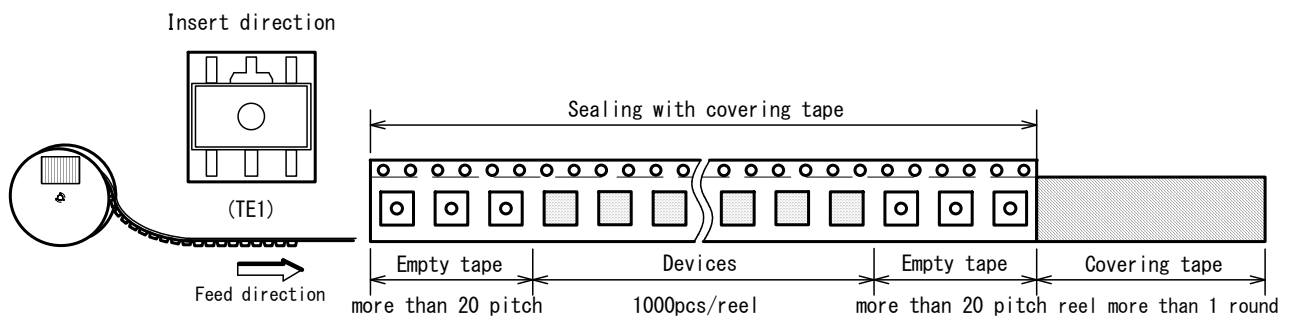
SYMBOL	DIMENSION	REMARKS
A	4.8±0.1	BOTTOM DIMENSION
B	4.9±0.1	BOTTOM DIMENSION
D0	1.5 <sup>+0.1</sup> <sub>0</sub>	
D1	1.6	
E	1.5±0.1	
F	5.65±0.1	
P0	4.0±0.1	
P1	8.0±0.1	
P2	2.0±0.1	
T	0.30±0.05	
T2	2.0±0.1	
W	12.0±0.3	
W1	9.5	THICKNESS 0.1MAX

### REEL DIMENSIONS

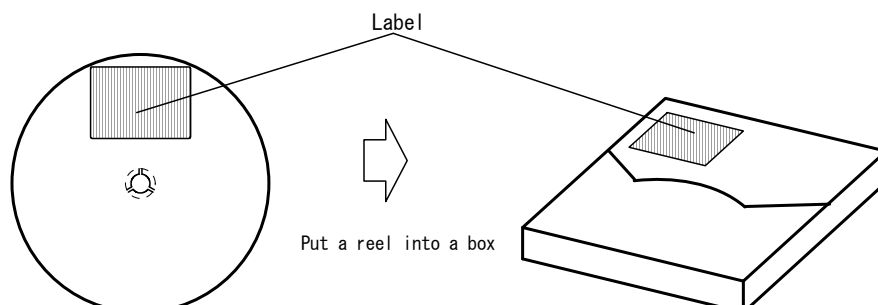


SYMBOL	DIMENSION
A	φ 180±1
B	φ 60±1
C	φ 13±0.2
D	φ 21±0.8
E	2±0.5
W	13±0.5
W1	1.2±0.2

### TAPING STATE



### PACKING STATE





1. The products and the product specifications described in this document are subject to change or discontinuation of production without notice for reasons such as improvement. Therefore, before deciding to use the products, please refer to our sales representatives for the latest information thereon.
2. The materials in this document may not be copied or otherwise reproduced in whole or in part without the prior written consent of us.
3. This product and any technical information relating thereto are subject to complementary export controls (so-called KNOW controls) under the Foreign Exchange and Foreign Trade Law, and related politics ministerial ordinance of the law. (Note that the complementary export controls are inapplicable to any application-specific products, except rockets and pilotless aircraft, that are insusceptible to design or program changes.) Accordingly, when exporting or carrying abroad this product, follow the Foreign Exchange and Foreign Trade Control Law and its related regulations with respect to the complementary export controls.
4. The technical information described in this document shows typical characteristics and example application circuits for the products. The release of such information is not to be construed as a warranty of or a grant of license under our or any third party's intellectual property rights or any other rights.
5. The products listed in this document are intended and designed for automotive applications. Those customers intending to use a product in an application requiring extreme quality and reliability, for example, in a highly specific application where the failure or misoperation of the product could result in human injury or death should first contact us.
  - Aerospace Equipment
  - Equipment Used in the Deep Sea
  - Power Generator Control Equipment (nuclear, steam, hydraulic, etc.)
  - Life Maintenance Medical Equipment
  - Fire Alarms / Intruder Detectors
  - Vehicle Control Equipment (airplane, railroad, ship, etc.)
  - Various Safety Devices
  - Traffic control system
  - Combustion equipment

In case your company desires to use this product for any applications other than general electronic equipment mentioned above, make sure to contact our company in advance. Note that the important requirements mentioned in this section are not applicable to cases where operation requirements such as application conditions are confirmed by our company in writing after consultation with your company.

6. We are making our continuous effort to improve the quality and reliability of our products, but semiconductor products are likely to fail with certain probability. In order to prevent any injury to persons or damages to property resulting from such failure, customers should be careful enough to incorporate safety measures in their design, such as redundancy feature, fire containment feature and fail-safe feature. We do not assume any liability or responsibility for any loss or damage arising from misuse or inappropriate use of the products.
7. The products have been designed and tested to function within controlled environmental conditions. Do not use products under conditions that deviate from methods or applications specified in this datasheet. Failure to employ the products in the proper applications can lead to deterioration, destruction or failure of the products. We shall not be responsible for any bodily injury, fires or accident, property damage or any consequential damages resulting from misuse or misapplication of the products.
8. Quality Warranty
  - 8-1. Quality Warranty Period
 

In the case of a product purchased through an authorized distributor or directly from us, the warranty period for this product shall be one (1) year after delivery to your company. For defective products that occurred during this period, we will take the quality warranty measures described in section 8-2. However, if there is an agreement on the warranty period in the basic transaction agreement, quality assurance agreement, delivery specifications, etc., it shall be followed.
  - 8-2. Quality Warranty Remedies
 

When it has been proved defective due to manufacturing factors as a result of defect analysis by us, we will either deliver a substitute for the defective product or refund the purchase price of the defective product.  
Note that such delivery or refund is sole and exclusive remedies to your company for the defective product.
  - 8-3. Remedies after Quality Warranty Period
 

With respect to any defect of this product found after the quality warranty period, the defect will be analyzed by us. On the basis of the defect analysis results, the scope and amounts of damage shall be determined by mutual agreement of both parties. Then we will deal with upper limit in Section 8-2. This provision is not intended to limit any legal rights of your company.
9. Anti-radiation design is not implemented in the products described in this document.
10. The X-ray exposure can influence functions and characteristics of the products. Confirm the product functions and characteristics in the evaluation stage.
11. WLCSP products should be used in light shielded environments. The light exposure can influence functions and characteristics of the products under operation or storage.
12. Warning for handling Gallium and Arsenic (GaAs) products (Applying to GaAs MMIC, Photo Reflector). These products use Gallium (Ga) and Arsenic (As) which are specified as poisonous chemicals by law. For the prevention of a hazard, do not burn, destroy, or process chemically to make them as gas or power. When the product is disposed of, please follow the related regulation and do not mix this with general industrial waste or household waste.
13. Please contact our sales representatives should you have any questions or comments concerning the products or the technical information.



**Nisshinbo Micro Devices Inc.**

**Official website**

<https://www.nisshinbo-microdevices.co.jp/en/>

**Purchase information**

<https://www.nisshinbo-microdevices.co.jp/en/buy/>

## X-ON Electronics

Largest Supplier of Electrical and Electronic Components

*Click to view similar products for [LDO Voltage Regulators](#) category:*

*Click to view products by [Nisshinbo](#) manufacturer:*

Other Similar products are found below :

[AP7363-SP-13](#) [NCV8664CST33T3G](#) [L79M05TL-E](#) [AP7362-HA-7](#) [PT7M8202B12TA5EX](#) [TCR3DF185,LM\(CT](#) [TLF4949EJ](#)  
[NCP4687DH15T1G](#) [NCV8703MX30TCG](#) [LP2951CN](#) [NCV4269CPD50R2G](#) [AP7315-25W5-7](#) [NCV47411PAAJR2G](#) [AP2111H-1.2TRG1](#)  
[ZLDO1117QK50TC](#) [AZ1117ID-ADJTRG1](#) [NCV4263-2CPD50R2G](#) [NCP706ABMX300TAG](#) [NCP114BMX075TCG](#) [MC33269T-3.5G](#)  
[TLE4471GXT](#) [AP7315-33SA-7](#) [NCV4266-2CST33T3G](#) [NCP715SQ15T2G](#) [NCV8623MN-50R2G](#) [NCV563SQ18T1G](#) [NCV8664CDT33RKG](#)  
[NCV4299CD250R2G](#) [NCP715MX30TBG](#) [NCV8702MX25TCG](#) [TLE7270-2E](#) [NCV562SQ25T1G](#) [AP2213D-3.3TRG1](#) [AP2202K-2.6TRE1](#)  
[NCV8170BMX300TCG](#) [NCV8152MX300180TCG](#) [NCP700CMT45TBG](#) [AP7315-33W5-7](#) [NCP154MX180300TAG](#) [AP2113AMTR-G1](#)  
[NJW4104U2-33A-TE1](#) [MP2013AGG-5-P](#) [NCV8775CDT50RKG](#) [NJM2878F3-45-TE1](#) [S-19214B00A-V5T2U7](#) [S-19214B50A-V5T2U7](#) [S-](#)  
[19213B50A-V5T2U7](#) [S-19214BC0A-E8T1U7\\*1](#) [S-19213B00A-V5T2U7](#) [S-19213B33A-V5T2U7](#)