

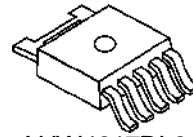
Constant Current LED Driver with PWM Dimming Control

■ GENERAL DESCRIPTION

The NJW4617 is a constant current LED driver with PWM dimming control. The output current can be set by external sensing resistor, and the NJW4617 can set up to 500mA.

Because the withstand voltage of the output (LED) pin is 40V, it can series-connect the LED depending on forward voltage of the LED. The LED dimming control can be regulated via PWM duty cycle. It is suitable for back light, light source and so on.

■ PACKAGE OUTLINE

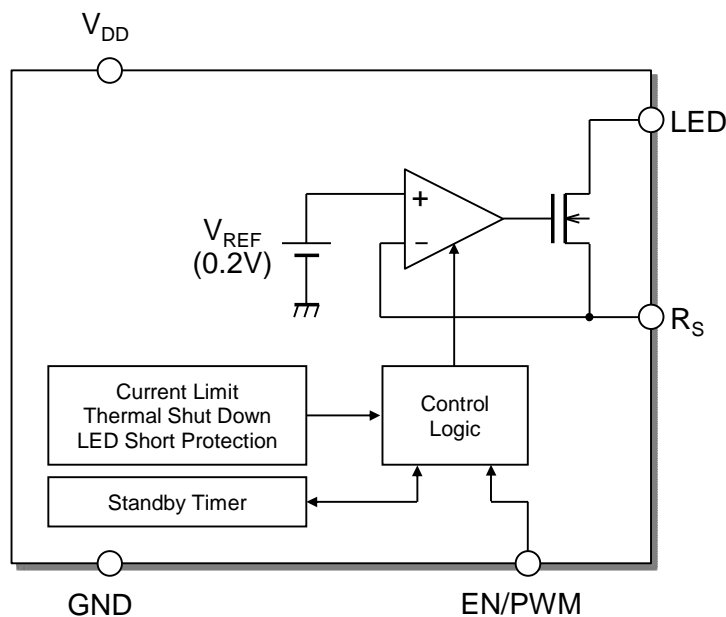


NJW4617DL3
(TO-252-5)

■ FEATURES

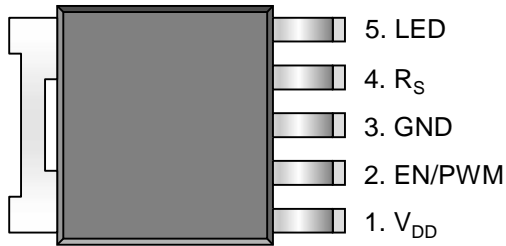
- Operating Voltage Range: 2.5V to 40V
- Output Voltage: $V_{LED}=40V$ max.
- Output Current: $I_{LED}=20mA$ to 500mA
- Output Current Accuracy: $\pm 1.5\%$
- To 11 of White LED can be operated. (at LED $V_f=3.4V$)
- Quiescent Current: 450 μA max.
- PWM Dimming Control and Enable Control (Common Pin)
- Over Current Protection
- Thermal Shutdown Protection
- LED Short Protection
- Package: TO-252-5

■ BLOCK DIAGRAM



NJW4617

■ PIN CONFIGURATION



■ PIN DESCRIPTIONS

Pin No.	Pin Name	I/O	Function
1	V_{DD}	-	Power supply pin
2	EN/PWM	I	Standby control pin and PWM signal input pin for dimming control. [At Standby control] Normal operation: High Level. Standby mode: Low Level. [At PWM signal input] The LED dimming control can be regulated by PWM duty cycle. In the case without dimming, I_{LED} becomes the current set by the external resistor (R_S) when High level is input to this pin. Note that this pin should not be open.
3	GND	-	Ground pin
4	R_S	O	Resistor connect pin of I_{LED} setting. The LED current can be set with connected resistor (R_S) between R_S pin and GND pin. $R_S [\Omega] = 0.2 [V] / I_{LED} [A]$
5	LED	O	Constant current circuit output pin Connect cathode pin of LED.

■ ABSOLUTE MAXIMUM RATINGS

($T_a = 25^\circ\text{C}$)

PARAMETER	SYMBOL	RATINGS	UNIT
Supply Voltage	V_{DD}	-0.3 to +45	V
Output Voltage	V_{LED}	-0.3 to +45	V
EN/PWM Pin Voltage	V_{ENPWM}	-0.3 to +45	V
Power Dissipation	P_D	1190 (*1) 3125 (*2)	mW
Junction Temperature Range	T_j	-40 to +150	$^\circ\text{C}$
Operating Temperature Range	T_{opr}	-40 to +125	$^\circ\text{C}$
Storage Temperature Range	T_{stg}	-50 to +150	$^\circ\text{C}$

(*1) Mounted on glass epoxy board. (76.2 × 114.3 × 1.6mm: based on EIA/JEDEC standard size, 2Layers, Cu area 100mm²)

(*2) Mounted on glass epoxy board. (76.2 × 114.3 × 1.6mm: based on EIA/JEDEC standard, 4Layers),

(For 4Layers: Applying 74.2 × 74.2mm inner Cu area and a thermal via hole to a board based on JEDEC standard JESD51-5)

■ RECOMMENDED OPERATING CONDITIONS

PARAMETER	SYMBOL	TEST CONDITIONS	MIN.	TYP.	MAX.	UNIT
Supply Voltage	V_{DD}		2.5	-	40	V
Output Current	I_{LED}		20	-	500	mA
Output Voltage	V_{LED}		-	-	40	V

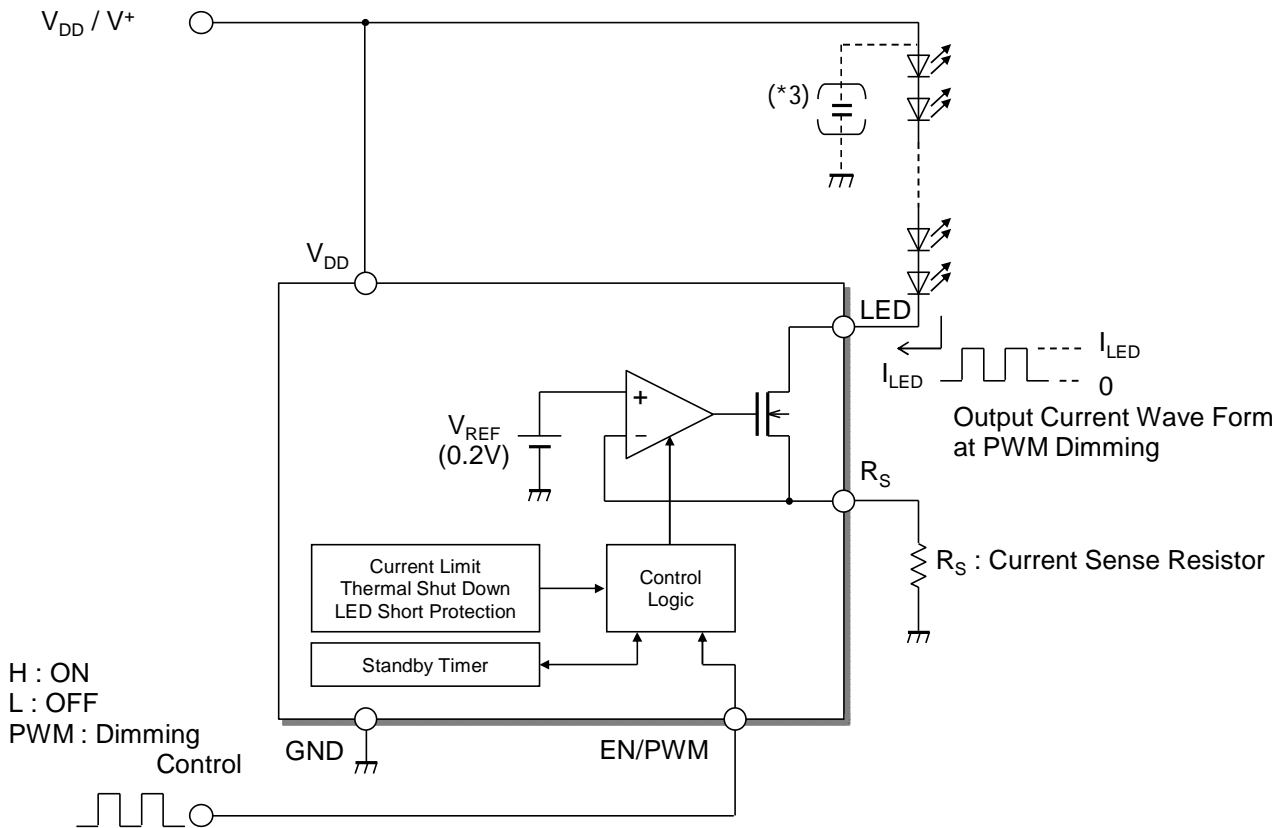
■ ELECTRICAL CHARACTERISTICS

(Unless otherwise noted, $V_{DD} = 12\text{V}$, $V_{LED} = 1\text{V}$, $R_S = 2\Omega$, $V_{ENPWM} = V_{DD}$, $T_a = 25^\circ\text{C}$)

PARAMETER	SYMBOL	TEST CONDITIONS	MIN	TYP	MAX	Unit
Quiescent Current	I_{DD}		-	330	450	μA
Quiescent Current at OFF State	I_{DD_OFF}	$V_{ENPWM} = \text{GND}$	-	-	0.1	μA
Output Current Accuracy	ΔI_{LED}		-1.5	-	+1.5	%
Output (LED) Pin Leak Current	I_{LEAK}	$V_{ENPWM} = \text{GND}$, $V_{DD} = V_{LED} = 40\text{V}$	-	-	0.1	μA
OFF Delay Time	t_{D_OFF}		10	25	45	ms
EN/PWM Pin ON Voltage1	V_{ENPWM_ON1}	$V_{DD} < 5\text{V}$, $I_{LED} = \text{OFF} \rightarrow \text{ON}$	$0.7V_{DD}$	-	V_{DD}	V
EN/PWM Pin ON Voltage2	V_{ENPWM_ON2}	$V_{DD} \geq 5\text{V}$, $I_{LED} = \text{OFF} \rightarrow \text{ON}$	3.5	-	V_{DD}	V
EN/PWM Pin OFF Voltage	V_{ENPWM_OFF}	$I_{LED} = \text{ON} \rightarrow \text{OFF}$	0	-	0.5	V
EN/PWM Pin Input Current	I_{ENPWM}		-	7	-	μA
R_S Pin Output Current	I_{OUT_RS}	LED = OPEN	-	4	-	μA
PWM Dimming ON Delay Time	t_{PWM_ON}	$R_S = 0.4\Omega$, $V_{ENPWM} = \text{L} \rightarrow \text{H}$	-	13	-	μs
PWM Dimming OFF Delay Time	t_{PWM_OFF}	$R_S = 0.4\Omega$, $V_{ENPWM} = \text{H} \rightarrow \text{L}$	-	1	-	μs
LED Short Protection Detect Voltage	V_{LED_SHORT}		18	21	24	V
Maximum Output Current	I_{LED_MAX}	$R_S = 0\Omega$	500	850	-	mA

NJW4617

■ TYPICAL APPLICATION

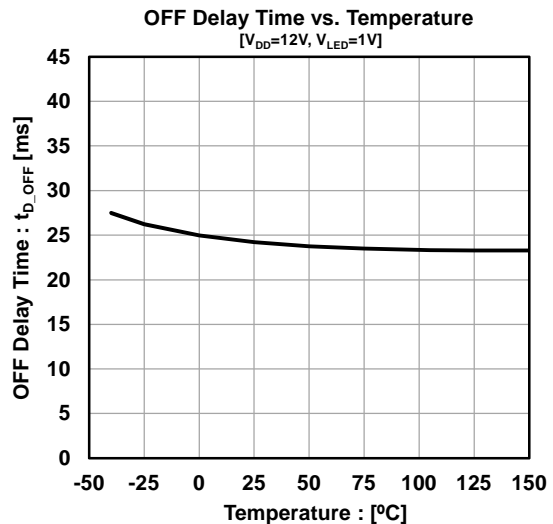
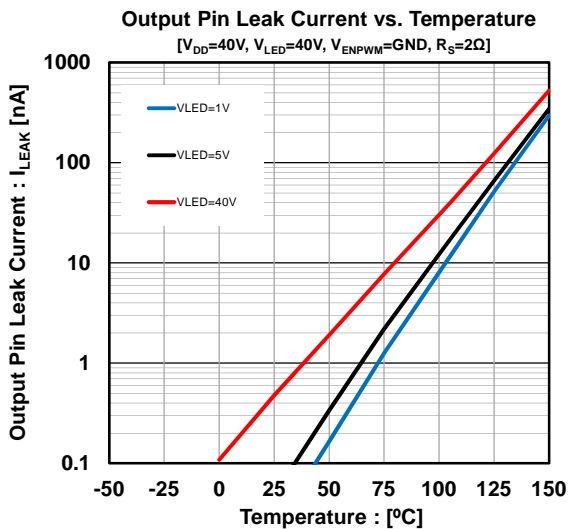
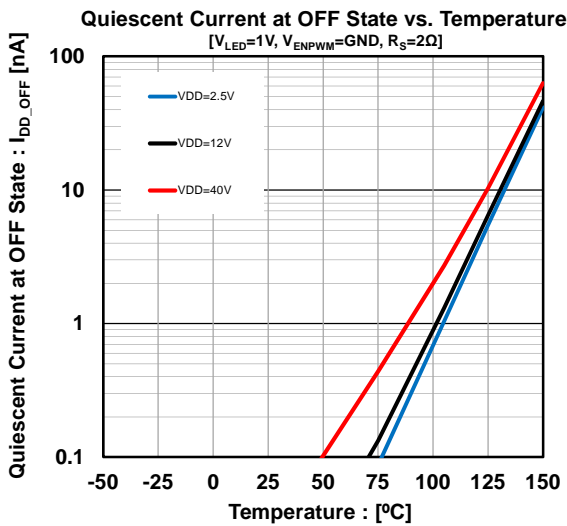
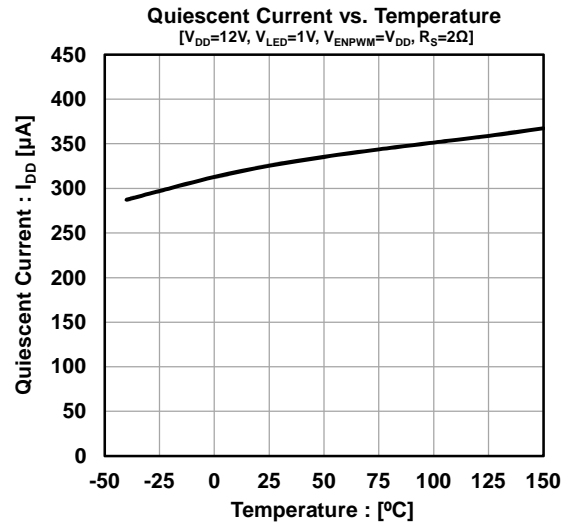
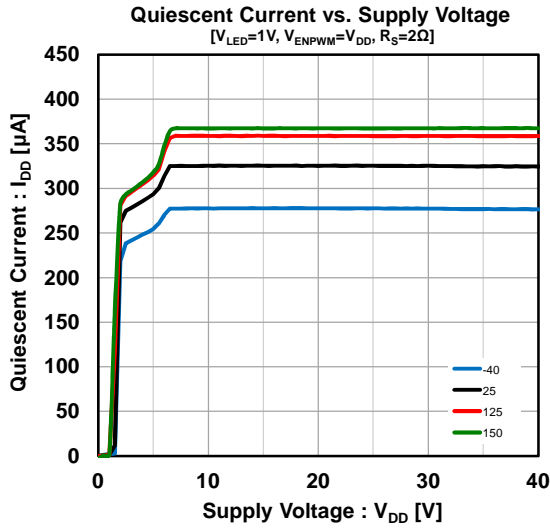


$$\text{The } R_S \text{ Resistance Setting formula: } R_S(\Omega) = \frac{0.2(V)}{I_{LED}(A)}$$

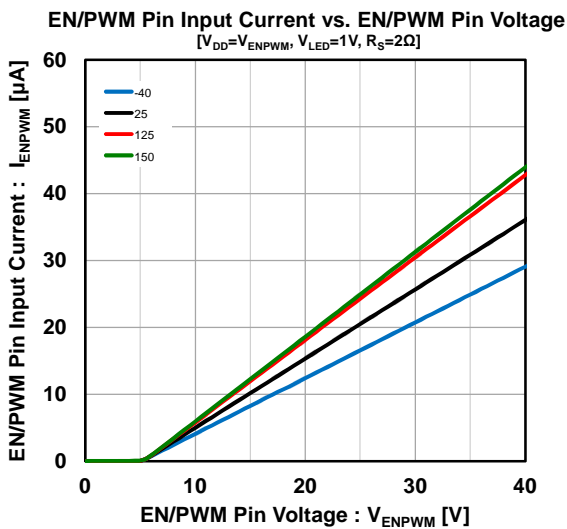
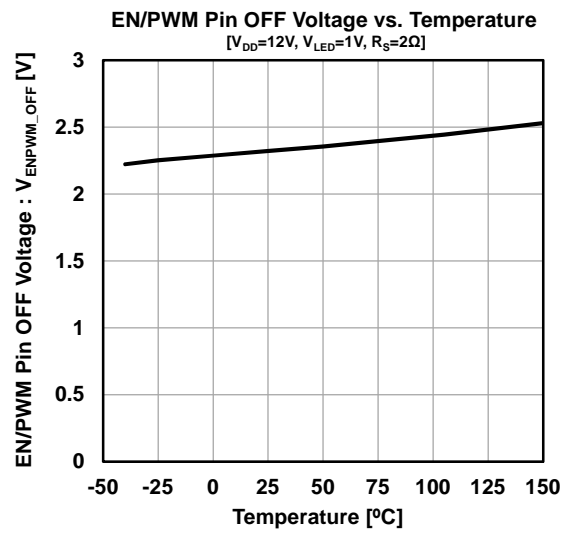
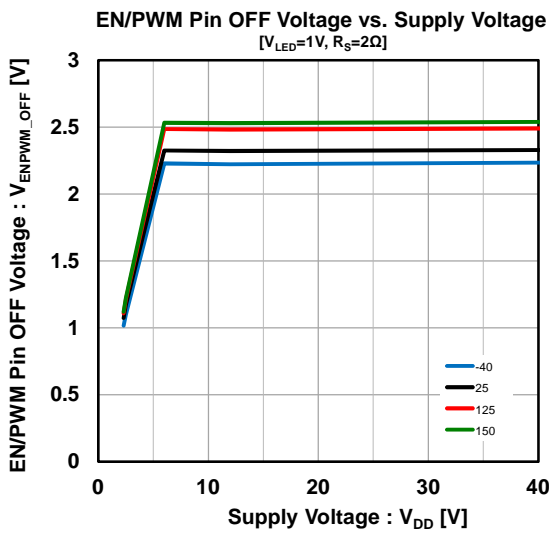
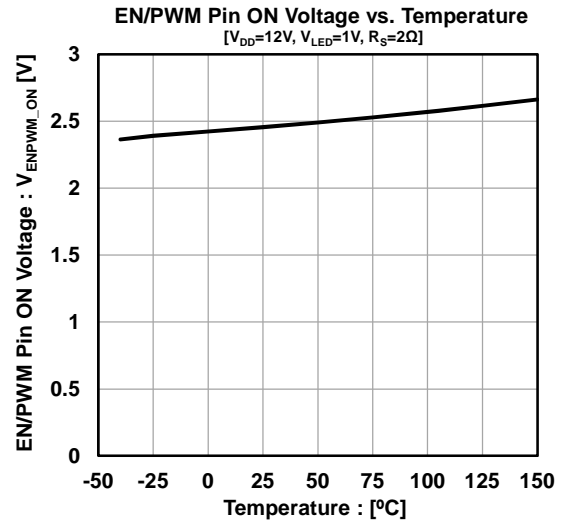
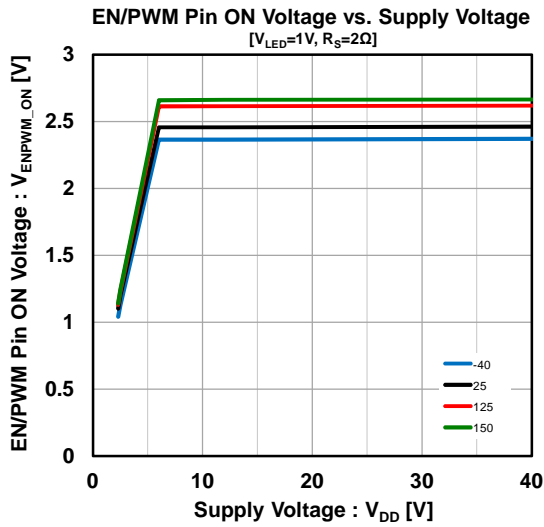
(*3) If the wiring from the power supply to the LED anode pin is long, the voltage may change due to the influence of the parasitic elements.

As the countermeasure, it should connect a decoupling capacitor as close to the LED as possible.

■ TYPICAL CHARACTERISTICS

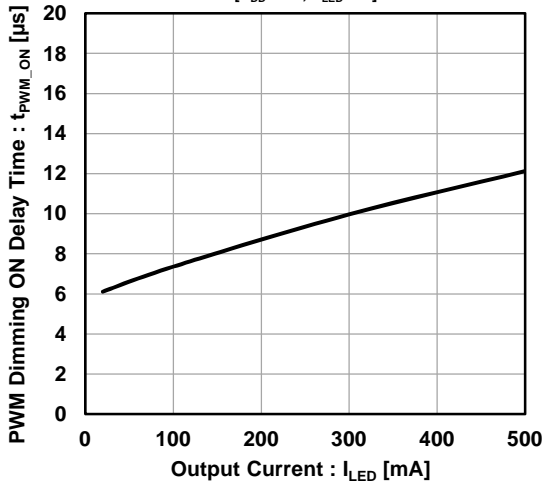


■ TYPICAL CHARACTERISTICS

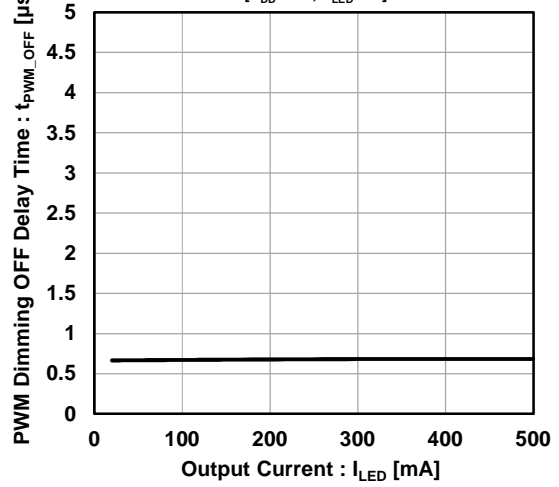


■ TYPICAL CHARACTERISTICS

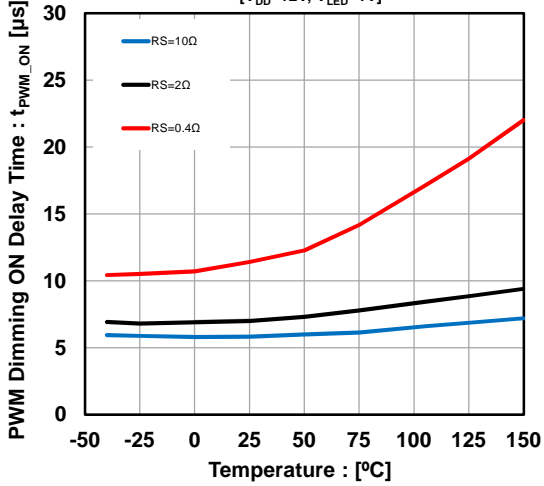
PWM Dimming ON Delay Time vs. Output Current
[$V_{DD}=12V, V_{LED}=1V$]



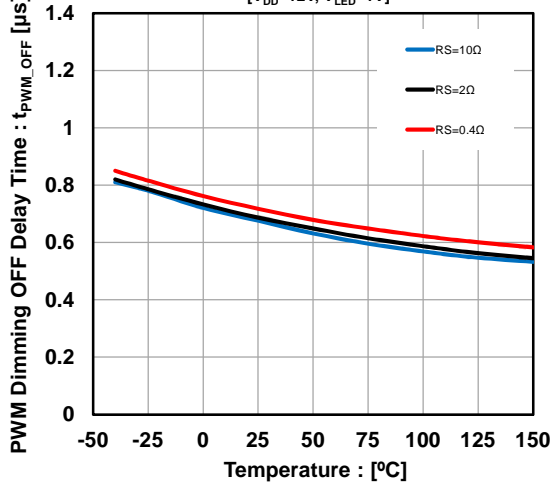
PWM Dimming OFF Delay Time vs. Output Current
[$V_{DD}=12V, V_{LED}=1V$]



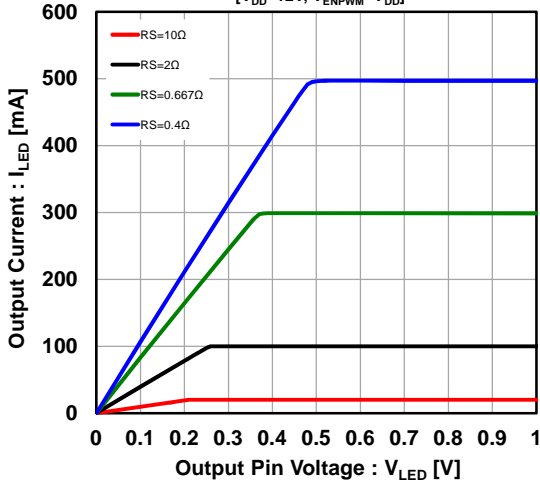
PWM Dimming ON Delay Time vs. Temperature
[$V_{DD}=12V, V_{LED}=1V$]



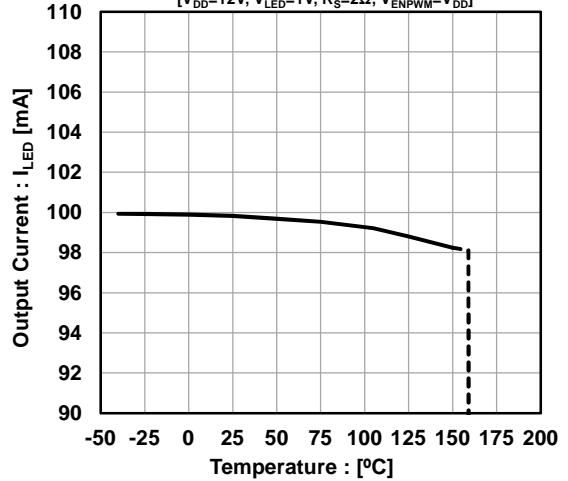
PWM Dimming OFF Delay Time vs. Temperature
[$V_{DD}=12V, V_{LED}=1V$]



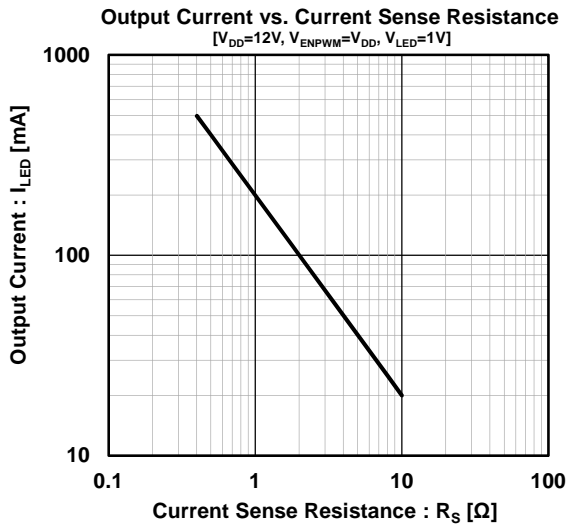
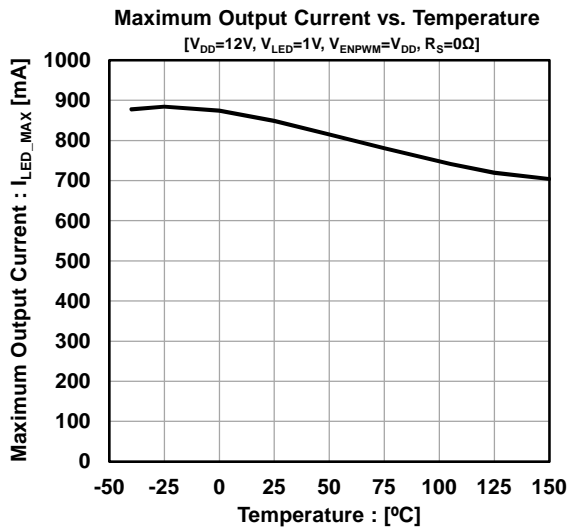
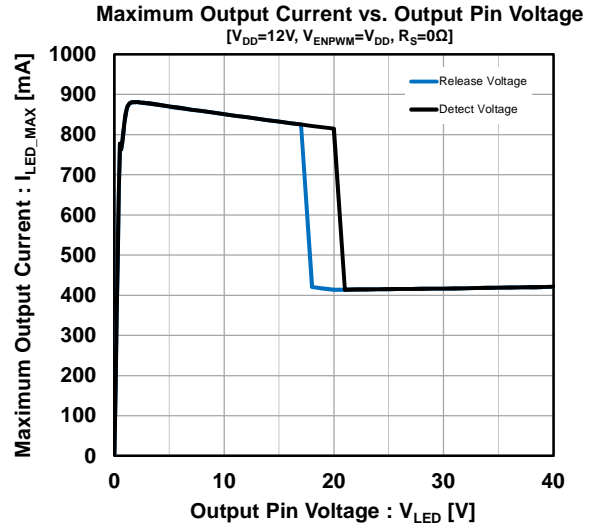
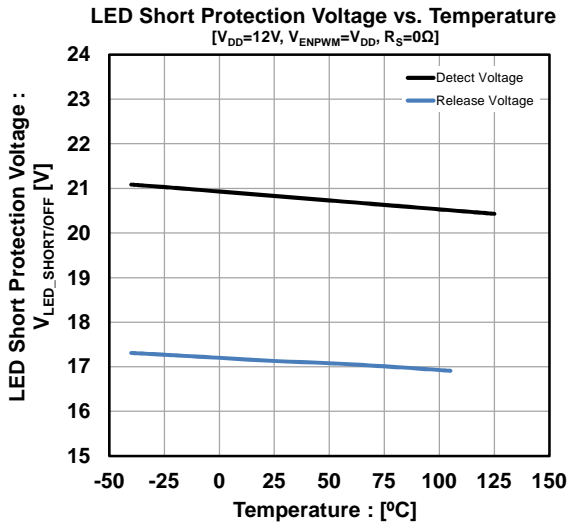
Output Current vs. Output Pin Voltage
[$V_{DD}=12V, V_{ENPWM}=V_{DD}$]



Output Current vs. Temperature
[$V_{DD}=12V, V_{LED}=1V, R_S=2Ω, V_{ENPWM}=V_{DD}$]



■ TYPICAL CHARACTERISTICS



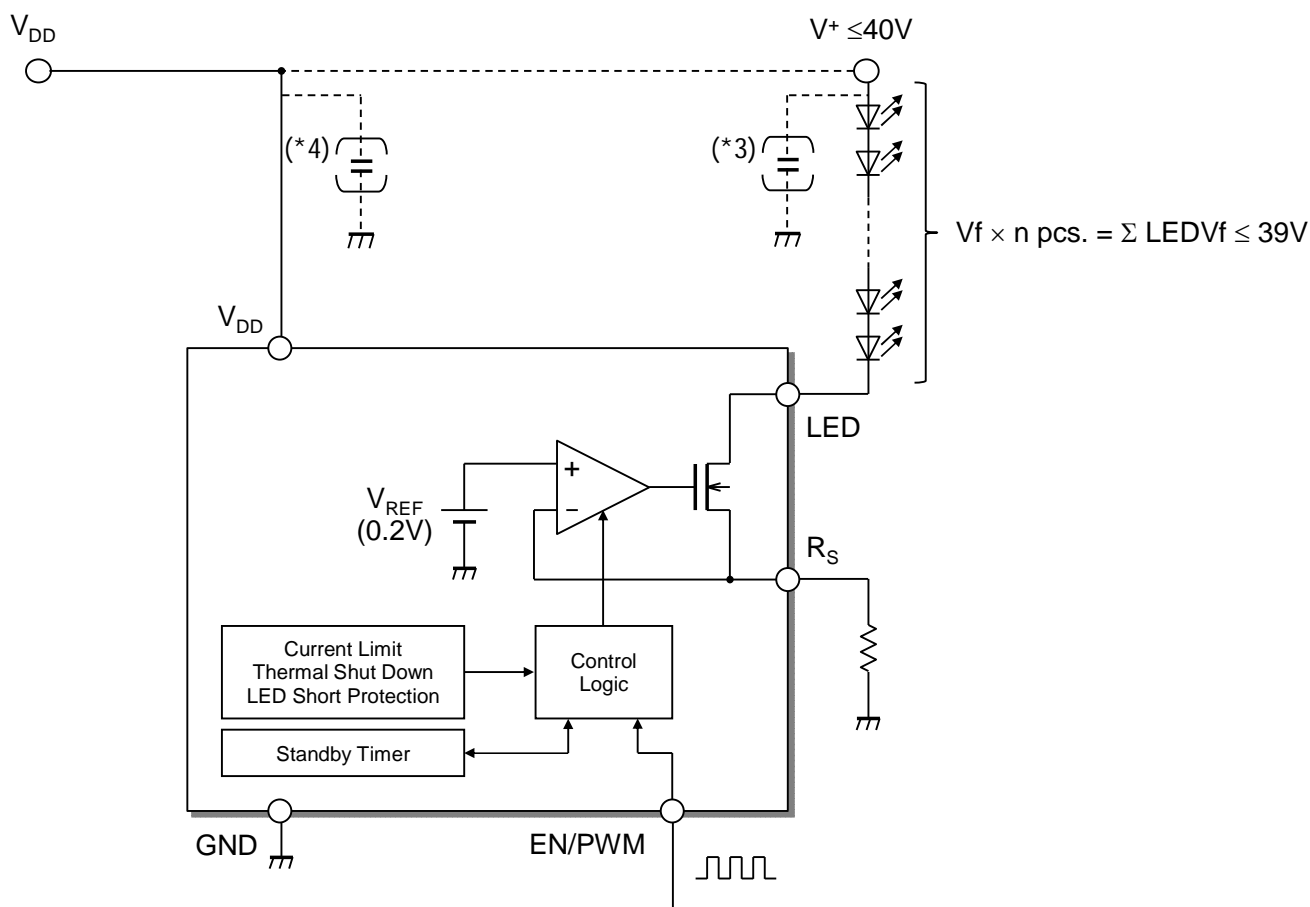
Application Manual

■ The number of LED series connection

It is necessary to drive LED that is the LED forward voltage (V_f) or more.
 When the LED was series connected, the supply voltage should be input sum of LED V_f ($\Sigma LED V_f$) the series connected or more. In NJW4617, it is necessary as minimum V^+ that is $\Sigma LED V_f + NJW4617$ output voltage ($V_{LED} = 1V$). The maximum LED connected number that NJW4617 can drive is limited by the recommended output voltage maximum value (40V). Moreover, it should be used with $\Sigma LED V_f$ within 39V that is subtracted the $V_{LED} = 1V$.

The table below shows maximum LED number at each V_f . (All LED V_f assumes ideally same)

LED V_f is up to 3.0V	...	up to 13 lights
LED V_f is up to 3.2V	...	up to 12 lights
LED V_f is up to 3.5V	...	up to 11 lights
LED V_f is up to 3.9V	...	up to 10 lights
LED V_f is up to 4.3V	...	up to 9 lights

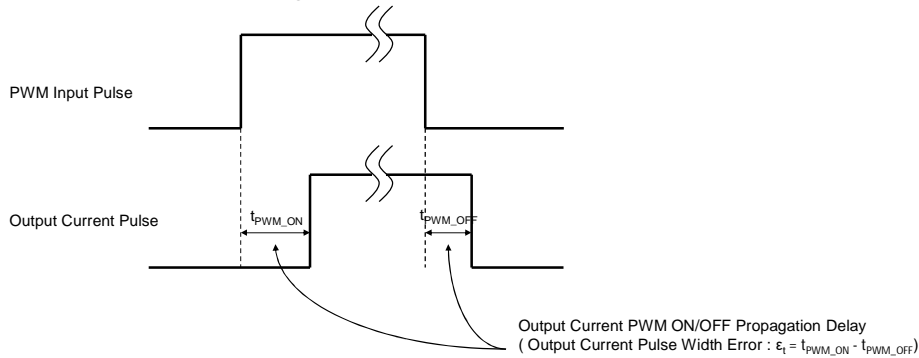


(*4) If the wiring from the power supply to the V_{DD} pin is long, the voltage may change due to the influence of the parasitic elements.

As the countermeasure, it should connect a decoupling capacitor as close to the V_{DD} pin as possible.

■ PWM input pulse and PWM dimming accuracy

The I_{LED} transient behavior corresponding to PWM input pulse has some delay at rise/fall time.



If enter a PWM signal with short pulse width, for the output current pulse width error becomes larger against the PWM input pulse width, it is incapable of accurate PWM dimming. The Output current pulse width error rate (ϵ_t) becomes the following value. ($\epsilon_t = t_{PWM_ON} - t_{PWM_OFF}$)

$$\epsilon_t = \text{approx. } 12\mu\text{s} \quad (\text{Output Current: } I_{LED}=500\text{mA}, T_a=25^\circ\text{C typ. } \langle\text{Reference Value}\rangle)$$

The actual value of the output current pulse width error rate can calculate by above error rate (ϵ_t) and the frequency and Duty of the PWM input pulse. (f_{PWM} : PWM input pulse frequency, D: PWM input pulse Duty)

Based on the allowable value of the output current pulse width error rate, you should determine the frequency and Duty of the PWM input pulse.

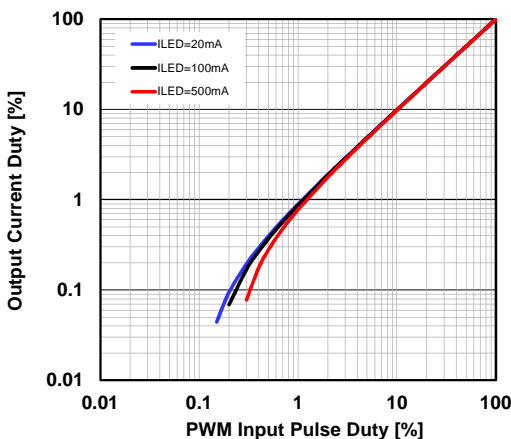
$$\begin{aligned} \text{PWM Input pulse width} &= D / 100 \times (1 / f_{PWM}) \\ \text{Output Current pulse width} &= \text{PWM Input pulse width} - \epsilon_t \\ \text{Output Current pulse width error rate} &= (\text{Output Current pulse width} - \text{PWM Input pulse width}) / \text{PWM Input pulse width} \times 100 \\ &= -\epsilon_t / \text{PWM Input pulse width} \times 100 [\%] \end{aligned}$$

[Output current pulse width error rate calculation example:

operation with PWM input pulse frequency 200Hz and Duty1%]

$$\begin{aligned} \text{PWM Input pulse width} &= 1 [\%] / 100 \times (1 / 200[\text{Hz}]) = 50 [\mu\text{s}] \\ \text{Output Current pulse width error rate} &= -12 [\mu\text{s}] / 50 [\mu\text{s}] \times 100 \\ &= -24 [\%] \end{aligned}$$

Output Current Duty vs. PWM Input Pulse Duty



[Measurement Conditions]

Output Current (I_{LED})	20mA	($R_S = 10\Omega$)
	100mA	($R_S = 2\Omega$)
	500mA	($R_S = 0.4\Omega$)
Supply Voltage	12V	
Output (LED) pin	Input Voltage at 1V	
PWM Input Pulse	200Hz, 0 to 5V	
Output Current I_{LED} Pulse Width	The time is more than 90% of set current.	
Ambient Temperature	$T_a = 25^\circ\text{C}$	

Application Manual

■ Protection Circuit

▪ Over Current Protection (Refer to Maximum Output Current vs. Output Pin Voltage)

This protection function limits the output current, when the R_S pin and GND pin was shorted. The limited current is dependence on output (LED) pin voltage.

When the output (LED) pin voltage is less than "LED Short Protection Detect Voltage", maximum output current is limited to approx. 850mA (output (LED) pin voltage=1V, Ta=25°C).

The output current returns to set current, when the short status is release.

▪ LED Short Protection (Refer to Maximum Output Current vs. Output Pin Voltage)

This protection function limits the output current, when the output (LED) pin rises as in LED shorten at output FET ON.

The output current is limited to approx. 400mA when the output (LED) pin voltage rose to approx. 21V.

▪ Thermal Shutdown Function (Refer to Output Current vs. Temperature)

When junction temperature of the NJW4617 exceeds the 160°C*, internal thermal shutdown circuit function stops the device function. When junction temperature decreases to 140°C* or less, the device operation returns to normal operation.

The purpose of this function is to prevent malfunctioning of IC at the high junction temperature. Therefore it is not something that urges positive use. It should make sure to operate within the junction temperature range rated ($\leq +150^{\circ}\text{C}$).

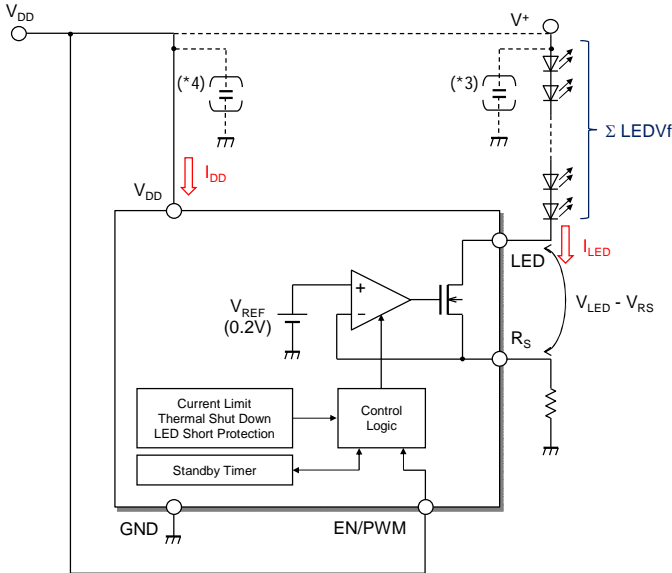
*) Design value

■ The Loss of Constant Current Driver

The power consumption of the LED lighting circuit is classified as "the power consumption of the constant current driver" "the power consumption of the LED" and "the power consumption of the current sense resistor (R_S)".

The loss of constant current driver is caused mainly by quiescent current (I_{DD}) and output current (I_{LED}).

The power dissipation of the device can calculate by follow equation.



$$P_D \approx V_{DD} \times I_{DD} + (V_{LED} - V_{RS}) \times I_{LED}$$

$$= V_{DD} \times I_{DD} + (V^+ - \Sigma LED Vf - 0.2) \times I_{LED} [W]$$

R_S pin voltage (V_{RS}): 0.2V

LED Vf represents the sum of the LED Vf of use.

e.g.)

$$V_{DD} = V^+ = 12[V], I_{DD} = 330[\mu A], \Sigma LED Vf = 9[V],$$

$$I_{LED} = 400[mA]$$

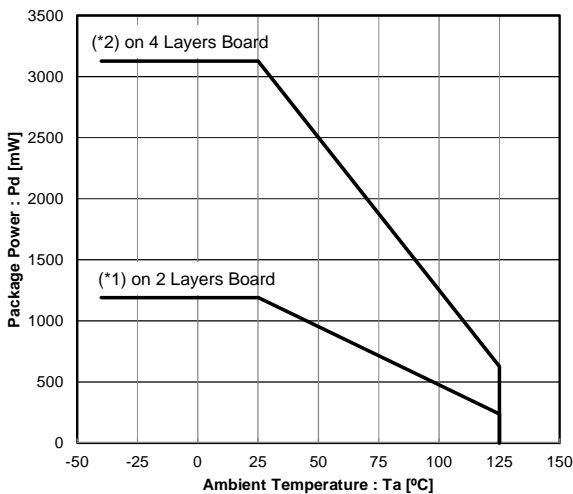
$$P_D \approx 12[V] \times 330[\mu A] + (12[V] - 9[V] - 0.2[V]) \times 400[mA]$$

$$\approx 1124[mW]$$

As shown in the above equation, the loss of constant current driver will increase in proportion to the voltage difference between the LED driving voltage V^+ and $\Sigma LED Vf$.

The device power dissipation must be below the power dissipation rate of the device package including thermal derating to ensure correct operation. It should set the LED operating Voltage (V^+) and output current (I_{LED}) with consideration of P_D .

NJW4617DL3 (TO-252-5)
Power Dissipation
 (Topr=-40°C to +125°C, Tj=150°C)



The device power dissipation must be below the power dissipation rate of the device package including thermal derating to ensure correct operation.

(*1): Mounted on glass epoxy board. (76.2 × 114.3 × 1.6mm: based on EIA/JEDEC standard size, 2Layers, Cu area 100mm²)

(*2): Mounted on glass epoxy board. (76.2 × 114.3 × 1.6mm: based on EIA/JEDEC standard, 4Layers),

(For 4Layers: Applying 74.2 × 74.2mm inner Cu area and a thermal via hole to a board based on JEDEC standard JESD51-5)

Application Manual

■ Parallel Drive of NJW4617

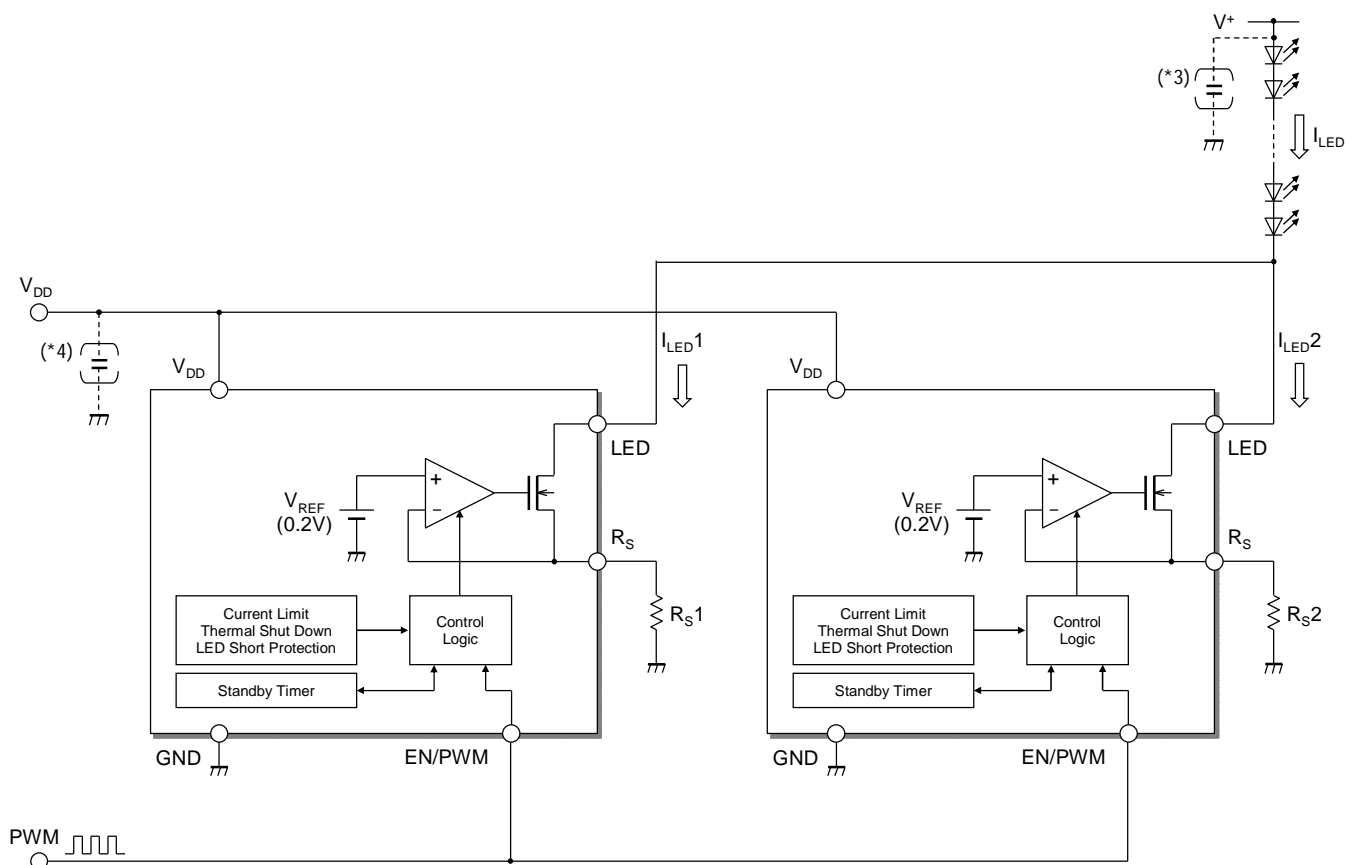
For applications that require more than 500mA, it can correspond by parallel connecting two or more NJW4617.

The LED current becomes sum of LED current of each NJW4617.

Each device accepts different set current.

$$I_{LED} [A] = I_{LED1} + I_{LED2} = 0.2 / R_{S1} [\Omega] + 0.2 / R_{S2} [\Omega]$$

(e.g. $I_{LED} = 750$ [mA] setting: $R_{S1} = 0.4$ [Ω], $R_{S2} = 0.8$ [Ω])



MEMO

[CAUTION]

The specifications on this databook are only given for information, without any guarantee as regards either mistakes or omissions. The application circuits in this databook are described only to show representative usages of the product and not intended for the guarantee or permission of any right including the industrial rights.

X-ON Electronics

Largest Supplier of Electrical and Electronic Components

Click to view similar products for [LED Lighting Drivers](#) category:

Click to view products by [Nisshinbo](#) manufacturer:

Other Similar products are found below :

[LV5235V-MPB-H](#) [MB39C602PNF-G-JNEFE1](#) [MIC2871YMK-T5](#) [AL1676-10BS7-13](#) [AL1676-20AS7-13](#) [AP5726WUG-7](#) [ICL8201](#)
[IS31BL3228B-UTLS2-TR](#) [IS31BL3506B-TTLS2-TR](#) [AL3157F-7](#) [AP5725FDCG-7](#) [AP5726FDCG-7](#) [LV52204MTTBG](#) [AP5725WUG-7](#)
[STP4CMPQTR](#) [NCL30086BDR2G](#) [CAT4004BHU2-GT3](#) [LV52207AXA-VH](#) [AP1694AS-13](#) [TLE4242EJ](#) [AS3688](#) [IS31LT3172-GRLS4-TR](#)
[TLD2311EL](#) [KTD2694EDQ-TR](#) [KTZ8864EJAA-TR](#) [IS32LT3174-GRLA3-TR](#) [MP2488DN-LF-Z](#) [NLM0010XTSA1](#) [AL1676-20BS7-13](#)
[ZXLD1370QESTTC](#) [MPQ7220GF-AEC1-P](#) [MPQ7220GR-AEC1-P](#) [MPQ4425BGJ-AEC1-P](#) [MPQ7220GF-AEC1-Z](#) [MPQ7220GR-AEC1-Z](#)
[MPQ4425BGJ-AEC1-Z](#) [NCL30486A2DR2G](#) [IS31FL3737B-QFLS4-TR](#) [IS31FL3239-QFLS4-TR](#) [KTD2058EUAC-TR](#) [KTD2037EWE-TR](#)
[DIO5662ST6](#) [IS31BL3508A-TTLS2-TR](#) [KTD2026BEWE-TR](#) [MAX20052CATC/V+](#) [MAX25606AUP/V+](#) [BD6586MUV-E2](#) [BD9206EFV-E2](#) [BD9416FS-E2](#) [LYT4227E](#)