

400mA Synchronous Step-down DC/DC Module with MODE pin and Inductor

No.EA-592-210906

OVERVIEW

The RM590L is a synchronous, step-down DC/DC converter which delivers up to 400mA of output current. The RM590L can be configured for either PWM/VFM automatic shift operation or forced PWM operation by controlling of MODE pin.

It has a built-in inductor and is available in 2.2 (mm) x 2.0 (mm) x 1.5 (mm) sized QFN2220-8 package for high density mounting. Therefore, it is possible to save space in the mounting area.

KEY BENEFITS

- Having an inductor built-in, it is possible to simplify the board design and reduce the mounting area.
- PWM/VFM automatic shift operation provides high efficiency at light loads.
- Having an inductor built-in, the number of parts can be reduced, and the man-hours for managing purchased parts can be reduced (concern about EOL).

KEY SPECIFICATIONS

- Input Voltage Range (Maximum Rating):
2.3 V to 5.5 V (6.5 V)
- Output Voltage (Fixed Output Voltages):
from 0.6V to 3.3V in 0.1V increments
 $\pm 1.5\%$ ($V_{SET} \geq 1.2$ V), ± 18 mV ($V_{SET} < 1.2$ V)
Output Voltage Accuracy
- Output Voltage (Adjustable Output Voltages):
0.6 V to 5.5 V
0.6V Reference (VFB), ± 9 mV Voltage Accuracy
- Selectable Oscillator Frequency: Typ. 6.0 MHz
- Oscillator Maximum Duty: Min. 100%
- MOSFET ON Resistance ($V_{IN} = 3.6$ V):
High Side MOSFET Typ. 0.245 Ω
Low Side MOSFET Typ. 0.225 Ω
- UVLO Detector Threshold: Typ. 2.0 V
- Soft-start Time: Typ. 0.15 ms
- Thermal Shutdown Function:
Detection Temperature 140°C
Release Temperature 100°C

PACKAGE

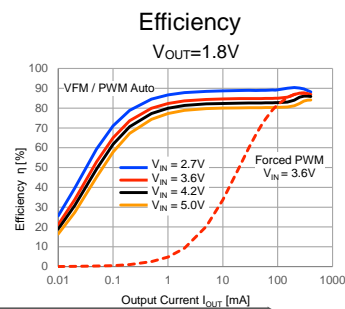


QFN2220-8
2.2 x 2.0 x 1.5 (mm)

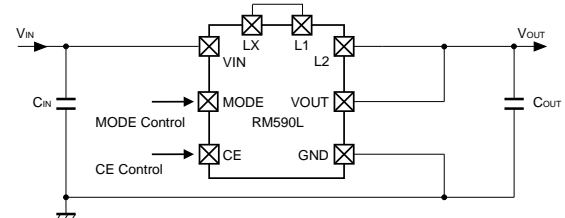
APPLICATIONS

- Devices need to be miniaturized such as wearables, hearables
- Phones, domestic LAN systems
- Communication modules, and applications for Industrial equipment
- Instrumentation equipment such as flow meters and pressure gauges

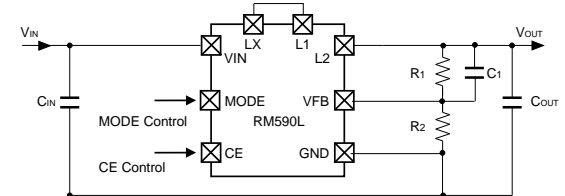
TYPICAL CHARACTERISTICS



TYPICAL APPLICATIONS



Fixed Output Voltage Type (RM590Lxx2A/B)



Adjustable Output Voltage Type (RM590L002C/D)

SELECTION GUIDE

The set output voltage, the output voltage type, and the auto-discharge function are user-selectable options.

Selection Guide

Product Name	Package	Quantity per Reel	Pb Free	Halogen Free
RM590Lxx2\$-TR	QFN2220-8	2,000	Yes	Yes

xx : Set Output Voltage (V_{SET})

Fixed Output Voltage Type : 06 to 33 (0.6 V to 3.3 V, 0.1 V steps)

The voltage in 0.05 V step is shown as follows.

Ex. 1.25 V: RM590L122\$5

Refer to *Product-specific Electrical Characteristics* for details.

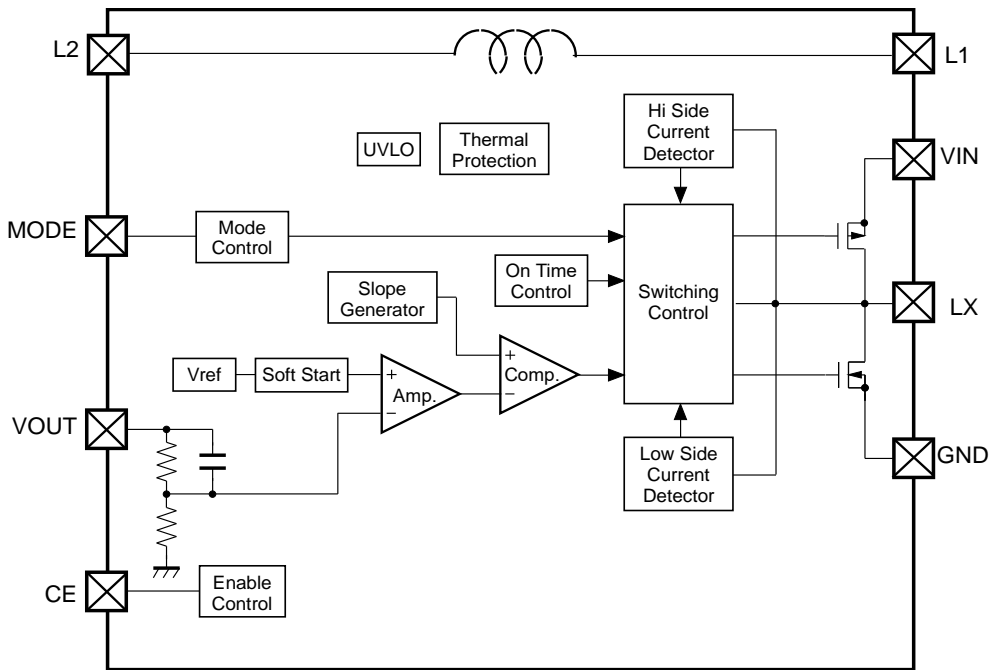
Adjustable Output Voltage Type : 00

\$: Versions

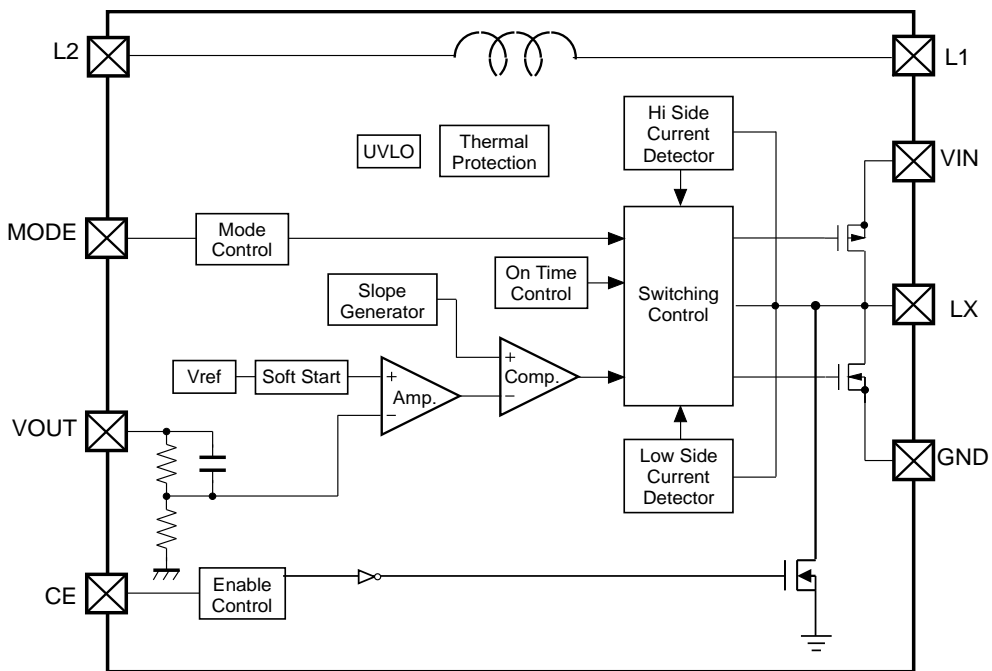
\$	Output Voltage Type	Auto-discharge Function	V_{SET}
A	Fixed	No	0.6 V to 3.3 V
B		Yes	
C	Adjustable	No	0.6 V to 5.5 V
D		Yes	

BLOCK DIAGRAMS

RM590Lxx2A/B (Fixed Output Voltage Type)

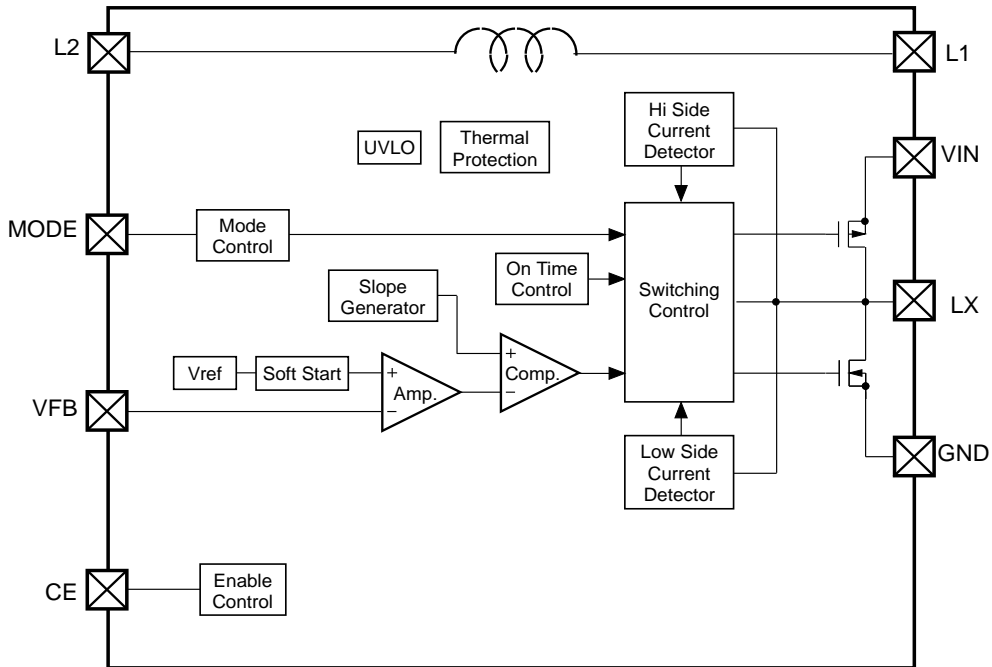


RM590Lxx2A Block Diagram

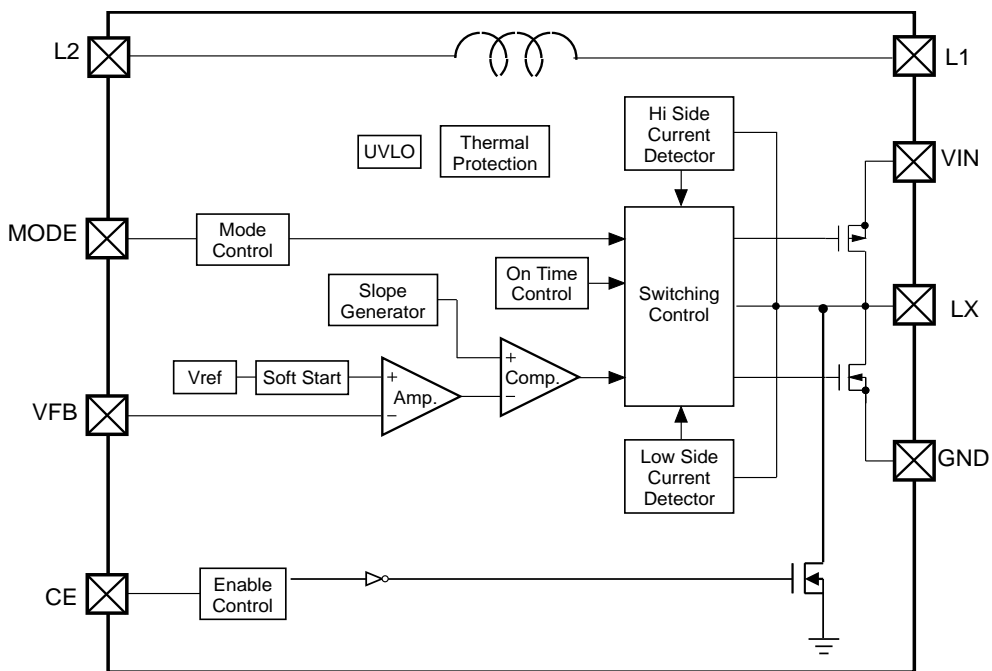


RM590Lxx2B Block Diagram

RM590L002C/D (Adjustable Output Voltage Type)

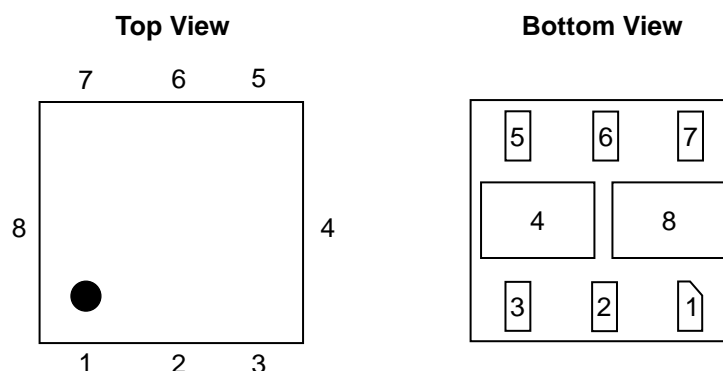


RM590L002C Block Diagram



RM590L002D Block Diagram

PIN DESCRIPTIONS



RM590L(QFN2220-8) Pin Configuration

RM590L (QFN2220-8) Pin Descriptions

Pin No.	Symbol	I/O	Description
1	VOUT/VFB	I	Output/Feedback Pin Fixed Output Voltage Type: Connect to V _{OUT} pin and L2 pin. Adjustable Output Voltage Type: Receives the feedback voltage from a Resistive divider connected across the output. Refer to “Adjustable Output Voltage Setting”
2	LX	O	Switch Node Connection to the Inductor. This pin connects to the drains of the internal Main and synchronous power MOSFET switches.
3	MODE	I	Mode Select Input. To select forced PWM, connect this pin to a voltage above designated "High". Connecting this pin to a voltage between 0 V and designated "Low" selects PWM/VFM automatic shift operation mode.
4	L1	I	Inductor Pin 1 (Input pin of inductor built-in.) Connect this pin to Lx pin.
5	VIN	I	Power Input Supply. Decouple this pin to GND with a capacitor.
6	CE	I	Forcing this pin below designated "Low" level shuts down the RM590L. In shutdown all functions are disabled except auto discharge function. (option)
7	GND	I	Ground Pin
8	L2	O	Inductor Pin 2 (This pin connects to built-in inductor) Connect a capacitor between this pin and GND.

ABSOLUTE MAXIMUM RATINGS

Symbol	Item	Ratings	Unit
V_{IN}	Input Voltage	-0.3 to 6.5	V
V_{LX}	LX / L1 / L2 Pin Voltage	-0.3 to $V_{IN} + 0.3$	V
V_{CE}	CE Pin Voltage	-0.3 to 6.5	V
V_{MODE}	MODE Pin Voltage	-0.3 to 6.5	V
V_{OUT}/V_{FB}	VOOUT / VFB Pin Voltage	-0.3 to 6.5	V
I_{LX}	LX / L1 / L2 Pin Input / Output Current	1.6	A
P_D	Power Dissipation	Refer to Appendix "POWER DISSIPATION"	
T_j	Junction Temperature Range	-40 to 125	°C
T_{stg}	Storage Temperature Range	-55 to 125	°C

ABSOLUTE MAXIMUM RATINGS

Electronic and mechanical stress momentarily exceeded absolute maximum ratings may cause permanent damage and may degrade the lifetime and safety for both device and system using the device in the field. The functional operation at or over these absolute maximum ratings are not assured.

ELECTROSTATIC DISCHARGE (ESD) RATINGS

Symbol	Conditions	Ratings	Unit
V_{HBM}	HBM C = 100pF, R = 1.5k Ω	-750 / +2000	V
V_{CDM}	CDM	± 1000	V

ELECTROSTATIC DISCHARGE RATINGS

The electrostatic discharge test is done based on JESD47.
In the HBM method, ESD is applied using the power supply pin and GND pin as reference pins.

RECOMMENDED OPERATING CONDITIONS

Symbol	Item	Ratings	Unit
V_{IN}	Input Voltage	2.3 to 5.5	V
T_a	Operating Temperature Range	-40 to 85	°C

RECOMMENDED OPERATING CONDITIONS

All of electronic equipment should be designed that the mounted semiconductor devices operate within the recommended operating conditions. The semiconductor devices cannot operate normally over the recommended operating conditions, even if they are used over such ratings by momentary electronic noise or surge. And the semiconductor devices may receive serious damage when they continue to operate over the recommended operating conditions.

ELECTRICAL CHARACTERISTICS

The specifications surrounded by are guaranteed by design engineering at $-40^{\circ}\text{C} \leq T_a \leq 85^{\circ}\text{C}$.

RM590Lxx2A/B Electrical Characteristics

($T_a = 25^{\circ}\text{C}$)

Symbol	Parameter	Conditions	Min.	Typ.	Max.	Unit	
V_{OUT}	Output Voltage	$V_{\text{IN}} = V_{\text{CE}} = 3.6\text{ V}$ ($V_{\text{SET}} \leq 2.6\text{ V}$), $V_{\text{IN}} = V_{\text{CE}} = V_{\text{SET}} + 1\text{ V}$ ($V_{\text{SET}} > 2.6\text{ V}$)	$V_{\text{SET}} \geq 1.2\text{ V}$	x 0.985		x 1.015	V
			$V_{\text{SET}} < 1.2\text{ V}$	-0.018		+0.018	
f_{OSC}	Oscillator Frequency	$V_{\text{IN}} = V_{\text{CE}} = 3.6\text{ V}$, $V_{\text{SET}} = 1.8\text{ V}$, "Closed Loop Control"	4.8	6.0	7.2	MHz	
I_{DD}	Supply Current	$V_{\text{IN}} = V_{\text{CE}} = V_{\text{OUT}} = 3.6\text{ V}$, $V_{\text{MODE}} = 0\text{ V}$		15		μA	
I_{STANDBY}	Standby Current	$V_{\text{IN}} = 5.5\text{ V}$, $V_{\text{CE}} = 0\text{ V}$		0	5	μA	
I_{CEH}	CE "High" Input Current	$V_{\text{IN}} = V_{\text{CE}} = 5.5\text{ V}$	-1	0	1	μA	
I_{CEL}	CE "Low" Input Current	$V_{\text{IN}} = 5.5\text{ V}$, $V_{\text{CE}} = 0\text{ V}$	-1	0	1	μA	
I_{MODEH}	MODE "High" Input Current	$V_{\text{IN}} = V_{\text{MODE}} = 5.5\text{ V}$, $V_{\text{CE}} = 0\text{ V}$	-1	0	1	μA	
I_{MODEL}	MODE "Low" Input Current	$V_{\text{IN}} = 5.5\text{ V}$, $V_{\text{CE}} = V_{\text{MODE}} = 0\text{ V}$	-1	0	1	μA	
I_{VOUTH}	V_{OUT} "High" Input Current	$V_{\text{IN}} = V_{\text{OUT}} = 5.5\text{ V}$, $V_{\text{CE}} = 0\text{ V}$	-1	0	1	μA	
I_{VOUTL}	V_{OUT} "Low" Input Current	$V_{\text{IN}} = 5.5\text{ V}$, $V_{\text{CE}} = V_{\text{OUT}} = 0\text{ V}$	-1	0	1	μA	
R_{DISTR}	Auto-discharge MOSFET On-resistance ⁽¹⁾	$V_{\text{IN}} = 3.6\text{ V}$, $V_{\text{CE}} = 0\text{ V}$		40		Ω	
I_{LXLEAKH}	LX "High" Leakage Current	$V_{\text{IN}} = V_{\text{LX}} = 5.5\text{ V}$, $V_{\text{CE}} = 0\text{ V}$	-1	0	5	μA	
I_{LXLEAKL}	LX "Low" Leakage Current	$V_{\text{IN}} = 5.5\text{ V}$, $V_{\text{CE}} = V_{\text{LX}} = 0\text{ V}$	-5	0	1	μA	
V_{CEH}	CE "High" Input Voltage	$V_{\text{IN}} = 5.5\text{ V}$	1.0			V	
V_{CEL}	CE "Low" Input Voltage	$V_{\text{IN}} = 2.3\text{ V}$			0.4	V	
V_{MODEH}	MODE "High" Input Voltage	$V_{\text{IN}} = V_{\text{CE}} = 5.5\text{ V}$	1.0			V	
V_{MODEL}	MODE "Low" Input Voltage	$V_{\text{SET}} \leq 2.3\text{ V}$, $V_{\text{IN}} = V_{\text{CE}} = 2.3\text{ V}$ $V_{\text{SET}} > 2.3\text{ V}$, $V_{\text{IN}} = V_{\text{SET}}$			0.4	V	
R_{ONP}	On-resistance of High Side MOSFET	$V_{\text{IN}} = 3.6\text{ V}$, $I_{\text{LX}} = -100\text{ mA}$		0.245		Ω	
R_{ONN}	On-resistance of Low Side MOSFET	$V_{\text{IN}} = 3.6\text{ V}$, $I_{\text{LX}} = -100\text{ mA}$		0.225		Ω	
Maxduty	Maximum Duty Cycle		100			%	
t_{START}	Soft-start Time	$V_{\text{IN}} = V_{\text{CE}} = 3.6\text{ V}$ ($V_{\text{SET}} \leq 2.6\text{ V}$), $V_{\text{IN}} = V_{\text{CE}} = V_{\text{SET}} + 1\text{ V}$ ($V_{\text{SET}} > 2.6\text{ V}$)		150	300	μs	
I_{LXLIM}	LX Current Limit	$V_{\text{IN}} = V_{\text{CE}} = 3.6\text{ V}$ ($V_{\text{SET}} \leq 2.6\text{ V}$), $V_{\text{IN}} = V_{\text{CE}} = V_{\text{SET}} + 1\text{ V}$ ($V_{\text{SET}} > 2.6\text{ V}$)	600	1000		mA	
V_{UVLO1}	UVLO Threshold Voltage	$V_{\text{IN}} = V_{\text{CE}}$, Falling	1.85	2.00	2.20	V	
V_{UVLO2}		$V_{\text{IN}} = V_{\text{CE}}$, Rising	1.90	2.05	2.25	V	

All test items listed under Electrical Characteristics are done under the pulse load condition ($T_j \approx T_a = 25^{\circ}\text{C}$).

Test circuit is operated with "Open Loop Control" ($\text{GND} = 0\text{ V}$), unless otherwise specified.

⁽¹⁾ RM590Lxx2B only

The specifications surrounded by are guaranteed by design engineering at $-40^{\circ}\text{C} \leq T_a \leq 85^{\circ}\text{C}$.

RM590L002C/D Electrical Characteristics

(Ta = 25°C)

Symbol	Parameter	Conditions	Min.	Typ.	Max.	Unit
V _{FB}	Feedback Voltage	V _{IN} = V _{CE} = 3.6 V	0.591	0.600	0.609	V
f _{OSC}	Oscillator Frequency	V _{IN} = V _{CE} = 3.6 V, V _{SET} = 1.8 V, "Closed Loop Control"	4.8	6.0	7.2	MHz
I _{DD}	Supply Current	V _{IN} = V _{CE} = V _{OUT} = 3.6 V, V _{MODE} = 0 V		15		μA
I _{STANDBY}	Standby Current	V _{IN} = 5.5 V, V _{CE} = 0 V		0	5	μA
I _{CEH}	CE "High" Input Current	V _{IN} = V _{CE} = 5.5 V	-1	0	1	μA
I _{CEL}	CE "Low" Input Current	V _{IN} = 5.5 V, V _{CE} = 0 V	-1	0	1	μA
I _{MODEH}	MODE "High" Input Current	V _{IN} = V _{MODE} = 5.5 V, V _{CE} = 0 V	-1	0	1	μA
I _{MODEL}	MODE "Low" Input Current	V _{IN} = 5.5 V, V _{CE} = V _{MODE} = 0 V	-1	0	1	μA
I _{VOUTH}	V _{OUT} "High" Input Current	V _{IN} = V _{OUT} = 5.5 V, V _{CE} = 0 V	-1	0	1	μA
I _{VOUTL}	V _{OUT} "Low" Input Current	V _{IN} = 5.5 V, V _{CE} = V _{OUT} = 0 V	-1	0	1	μA
R _{DISTR}	Auto-discharge MOSFET On-resistance ⁽¹⁾	V _{IN} = 3.6 V, V _{CE} = 0 V		40		Ω
I _{LXLEAKH}	LX "High" Leakage Current	V _{IN} = V _{LX} = 5.5 V, V _{CE} = 0 V	-1	0	5	μA
I _{LXLEAKL}	LX "Low" Leakage Current	V _{IN} = 5.5 V, V _{CE} = V _{LX} = 0 V	-5	0	1	μA
V _{CEH}	CE "High" Input Voltage	V _{IN} = 5.5 V	1.0			V
V _{CEL}	CE "Low" Input Voltage	V _{IN} = 2.3 V			0.4	V
V _{MODEH}	MODE "High" Input Voltage	V _{IN} = V _{CE} = 5.5 V	1.0			V
V _{MODEL}	MODE "Low" Input Voltage	V _{SET} ≤ 2.3 V, V _{IN} = V _{CE} = 2.3 V V _{SET} > 2.3 V, V _{IN} = V _{SET}			0.4	V
R _{ONP}	On-resistance of High Side MOSFET	V _{IN} = 3.6 V, I _{LX} = -100 mA		0.245		Ω
R _{ONN}	On-resistance of Low Side MOSFET	V _{IN} = 3.6 V, I _{LX} = -100 mA		0.225		Ω
Maxduty	Maximum Duty Cycle		100			%
t _{START}	Soft-start Time	V _{IN} = V _{CE} = 3.6 V (V _{SET} ≤ 2.6 V), V _{IN} = V _{CE} = V _{SET} + 1 V (V _{SET} > 2.6 V)		150	300	μs
I _{LXLIM}	LX Current Limit	V _{IN} = V _{CE} = 3.6 V (V _{SET} ≤ 2.6 V), V _{IN} = V _{CE} = V _{SET} + 1 V (V _{SET} > 2.6 V)	600	1000		mA
V _{UVLO1}	UVLO Threshold Voltage	V _{IN} = V _{CE} , Falling	1.85	2.00	2.20	V
V _{UVLO2}		V _{IN} = V _{CE} , Rising	1.90	2.05	2.25	V

All test items listed under Electrical Characteristics are done under the pulse load condition (T_J ≈ T_a = 25°C).

Test circuit is operated with "Open Loop Control" (GND = 0 V), unless otherwise specified.

⁽¹⁾ RM590L002D only

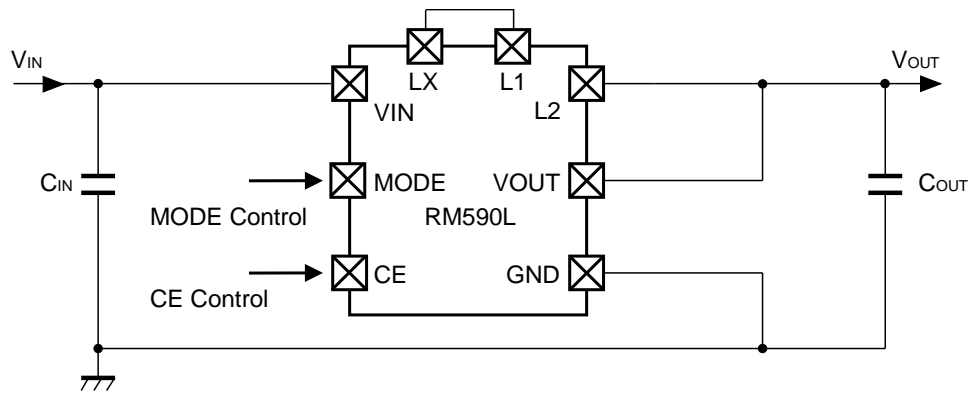
The specifications surrounded by are guaranteed by Design Engineering at $-40^{\circ}\text{C} \leq T_a \leq 85^{\circ}\text{C}$

RM590L series (Fixed Output Voltage Type) Product-specific Electrical Characteristics

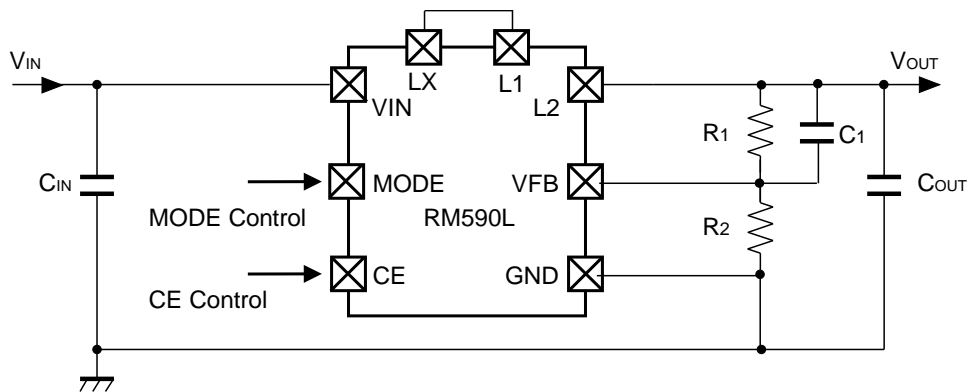
($T_a = 25^{\circ}\text{C}$)

Product Name	V_{OUT} [V]		
	Min.	V_{SET}	Max.
RM590L062x	0.582	0.600	0.618
RM590L072x	0.682	0.700	0.718
RM590L082x	0.782	0.800	0.818
RM590L092x	0.882	0.900	0.918
RM590L102x	0.982	1.000	1.018
RM590L102x5	1.032	1.050	1.068
RM590L112x	1.082	1.100	1.118
RM590L112x5	1.132	1.150	1.168
RM590L122x	1.182	1.200	1.218
RM590L132x	1.281	1.300	1.319
RM590L142x	1.379	1.400	1.421
RM590L152x	1.478	1.500	1.522
RM590L162x	1.576	1.600	1.624
RM590L172x	1.675	1.700	1.725
RM590L182x	1.773	1.800	1.827
RM590L192x	1.872	1.900	1.928
RM590L202x	1.970	2.000	2.030
RM590L212x	2.069	2.100	2.131
RM590L222x	2.167	2.200	2.233
RM590L232x	2.266	2.300	2.334
RM590L242x	2.364	2.400	2.436
RM590L252x	2.463	2.500	2.537
RM590L262x	2.561	2.600	2.639
RM590L272x	2.660	2.700	2.740
RM590L282x	2.758	2.800	2.842
RM590L292x	2.857	2.900	2.943
RM590L302x	2.955	3.000	3.045
RM590L312x	3.054	3.100	3.146
RM590L322x	3.152	3.200	3.248
RM590L332x	3.251	3.300	3.349

TYPICAL APPLICATION CIRCUIT



RM590Lxx2A/B (Fixed Output Voltage Type)



RM590L002C/D (Adjustable Output Voltage Type)

Recommended External Components

Symbol	Descriptions
C _{IN}	4.7 μF and more, Ceramic Capacitor
C _{OUT}	10 μF, Ceramic Capacitor

Precautions for the Selection of External Parts

Choose a low ESR ceramic capacitor. The capacitance of C_{IN} between VIN and GND should be more than or equal to 4.7 μ F. The capacitance of a ceramic capacitor (C_{OUT}) should be 10 μ F. Also, choose the capacitor with consideration for bias characteristics and input/output voltages.

OPERATION

Chip Enable Function

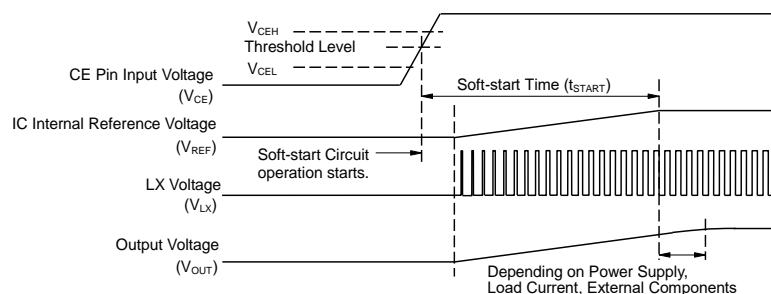
Forcing above designated "High" voltage to CE pin, the RM590L becomes active. Forcing below designated "Low" voltage to CE pin shuts down the RM590L. In shutdown (Standby) condition, all functions are disabled except Auto Discharge function. (Option) With Auto-Discharge option, the MOSFET to discharge the output capacitor turns on and the output is pulled down to GND. Without Auto-Discharge option, the output becomes "Hi-Z". CE pin can accept input range voltage regardless of the input of VIN pin. If Chip Enable function is not necessary, tie CE pin to VIN pin or other designated "High" voltage node at start-up.

Soft-start Time

Starting-up with CE Pin

The IC starts to operate when the CE pin voltage (V_{CE}) exceeds the threshold voltage. The threshold voltage is preset between CE "High" input voltage (V_{CEH}) and CE "Low" input voltage (V_{CEL}). After the start-of the start-up of the IC, soft-start circuit starts to operate. Then, after a certain period of time, the reference voltage (V_{REF}) in the IC gradually increases up to the specified value.

Notes: Soft start time (t_{START})⁽¹⁾ is not always equal to the turn-on speed of the step-down DC/DC module. Please note that the turn-on speed could be affected by the power supply capacity, the output current, the inductance value and the C_{OUT} value.



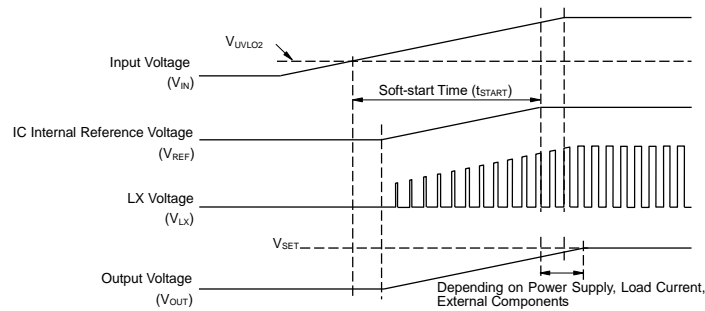
Timing Chart when Starting-up with CE Pin

⁽¹⁾ Soft-start time (t_{START}) indicates the duration until the reference voltage (V_{REF}) reaches the specified voltage after soft-start circuit's activation.

Starting-up with Power Supply

After the power-on, when V_{IN} exceeds the UVLO released voltage (V_{UVLO2}), the IC starts to operate. Then, soft-start circuit starts to operate and after a certain period of time, V_{REF} gradually increases up to the specified value.

Notes: Please note that the turn-on speed of V_{OUT} could be affected by the power supply capacity, the output current, the inductance value, the C_{OUT} value and the turn-on speed of V_{IN} determined by C_{IN} .



Timing Chart when Starting-up with Power Supply

Auto Discharge Function

When turned off, the V_{out} voltage drops rapidly to near 0V by discharging the charge stored in the output capacitor through the MOSFET connected between the LX and GND pins. The auto discharge function is enabled when the CE pin = "low" or the thermal shutdown detection or the UVLO detection. On-resistance of MOSFET is Typ. 40Ω. This function may be required to meet the required sequence for electronic components powered by this device.

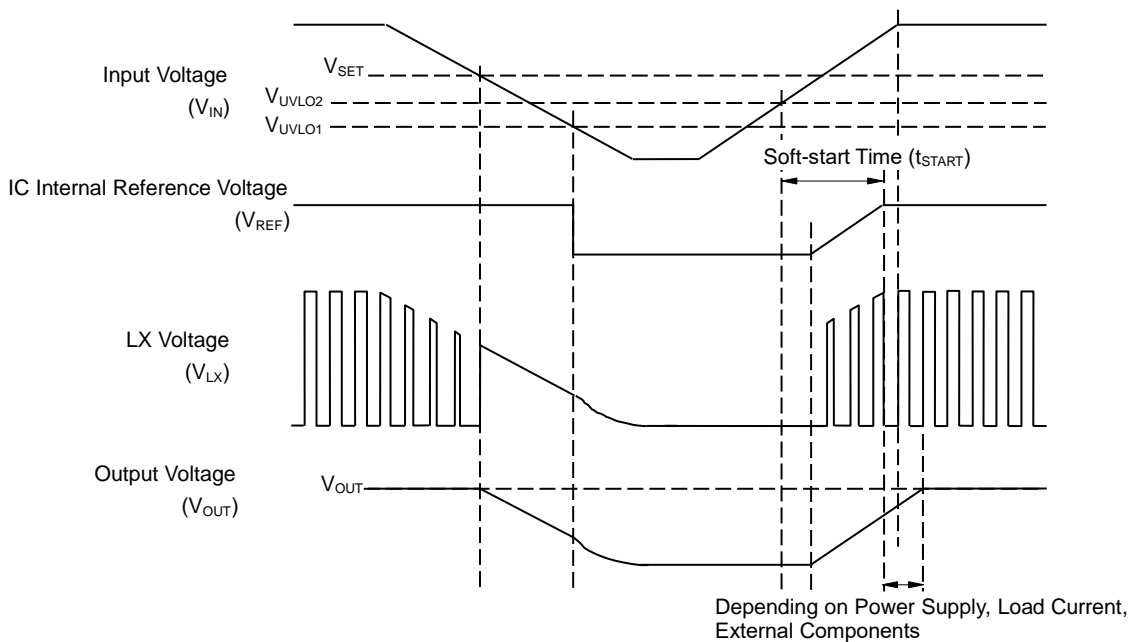
Undervoltage Lockout (UVLO) Circuit

If V_{IN} becomes lower than V_{SET} , the step-down DC/DC module stops the switching operation and ON duty becomes 100%, and then V_{OUT} gradually drops according to V_{IN} .

If the V_{IN} drops more and becomes lower than the UVLO detector threshold (V_{UVLO1}), the UVLO circuit starts to operate, V_{REF} stops, and High Side and Low Side built-in MOSFETs turn "OFF". As a result, V_{OUT} drops according to the C_{OUT} capacitance value and the load.

To restart the operation, V_{IN} needs to be higher than V_{UVLO2} . The timing chart below shows the voltage shifts of V_{REF} , V_{LX} and V_{OUT} when V_{IN} value is varied.

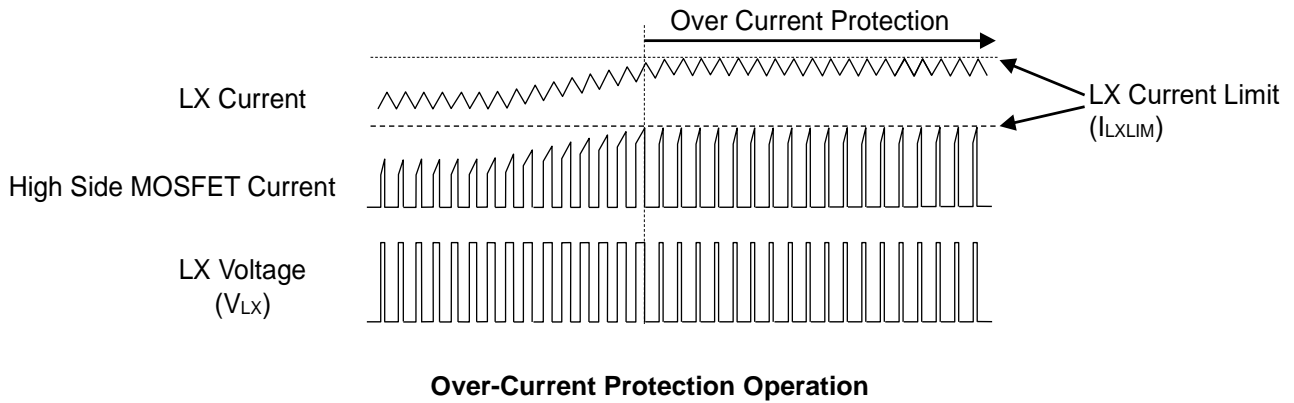
Notes: Falling edge (operating) and rising edge (releasing) waveforms of V_{OUT} could be affected by the initial voltage of C_{OUT} and the output current of V_{OUT} .



Timing Chart with Variations in Input Voltage (V_{IN})

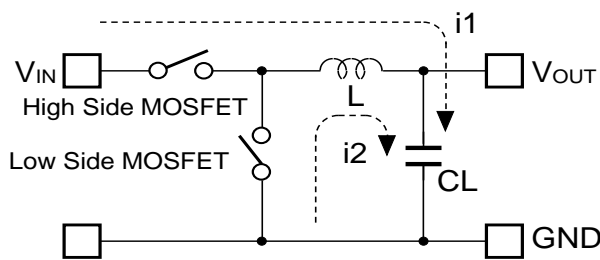
Current limiting circuit

Current limit circuit supervises the inductor peak current (the peak current flowing through High Side MOSFET) in each switching cycle, and if the current exceeds the LX current limit (I_{LXLIM}), it turns off High Side MOSFET. I_{LXLIM} of the RM590L is set to Typ.1.0 A.

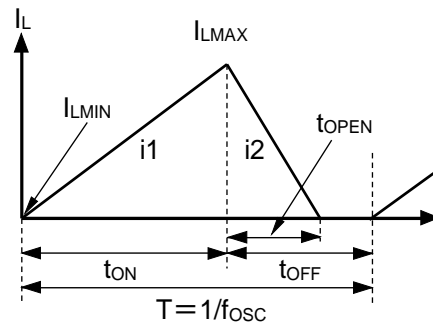


Operation of Step-down DC/DC module and Output Current

The step-down DC/DC module charges energy in the inductor when LX MOSFET turns “ON”, and discharges the energy from the inductor when LX MOSFET turns “OFF” and controls with less energy loss, so that a lower output voltage (V_{OUT}) than the input voltage (V_{IN}) can be obtained. The operation of the step-down DC/DC module is explained in the following figures.



Basic Circuit



Inductor Current (I_L) flowing through Inductor (L)

- Step1.** High Side MOSFET turns “ON” and I_L ($i1$) flows, L is charged with energy. At this moment, $i1$ increases from the minimum inductor current (I_{LMIN}), which is 0 A, and reaches the maximum inductor current (I_{LMAX}) in proportion to the on-time period (t_{ON}) of High Side MOSFET.
- Step2.** When High Side MOSFET turns “OFF”, L tries to maintain I_L at I_{LMAX} , so L turns Low Side MOSFET “ON” and I_L ($i2$) flows into L.
- Step3.** $i2$ decreases gradually and reaches I_{LMIN} after the open-time period (t_{OPEN}) of Low Side MOSFET, and then Low Side MOSFET turns “OFF”. This is called discontinuous current mode.
As the output current (I_{OUT}) increases, the off-time period (t_{OFF}) of High Side MOSFET runs out before I_L reaches I_{LMIN} . The next cycle starts, and High Side MOSFET turns “ON” and Low Side MOSFET turns “OFF”, which means I_L starts increasing from I_{LMIN} . This is called continuous current mode.

In PWM mode, V_{OUT} is maintained by controlling t_{ON} . The oscillator frequency (f_{OSC}) is maintained constant during PWM mode.

When the step-down DC/DC operation is constant, I_{LMIN} and I_{LMAX} during t_{ON} of High Side MOSFET would be same as during t_{OFF} of High Side MOSFET. The current differential between I_{LMAX} and I_{LMIN} is described as ΔI , as the following equation (1).

$$\Delta I = I_{LMAX} - I_{LMIN} = V_{OUT} \times t_{OPEN} / 0.5 = (V_{IN} - V_{OUT}) \times t_{ON} / 0.5 \dots \dots \dots (1)$$

The above equation is predicated on the following requirements.

$$T = 1 / f_{OSC} = t_{ON} + t_{OFF}$$

$$\text{duty (\%)} = t_{ON} / T \times 100 = t_{ON} \times f_{OSC} \times 100$$

$$t_{OPEN} \leq t_{OFF}$$

In Equation 1, “ $V_{OUT} \times t_{OPEN} / 0.5$ ” shows the amount of current change in “OFF” state. Also, “ $(V_{IN} - V_{OUT}) \times t_{ON} / L0.5$ ” shows the amount of current change at “ON” state.

Discontinuous Mode and Continuous Mode

As illustrated in Figure A., when I_{OUT} is relatively small, $t_{OPEN} < t_{OFF}$. In this case, the energy charged into L during t_{ON} will be completely discharged during t_{OFF} , as a result, $I_{LMIN} = 0$. This is called discontinuous mode. When I_{OUT} is gradually increased, eventually $t_{OPEN} = t_{OFF}$ and when I_{OUT} is increased further, eventually $I_{LMIN} > 0$ as illustrated in Figure B. This is called continuous mode.

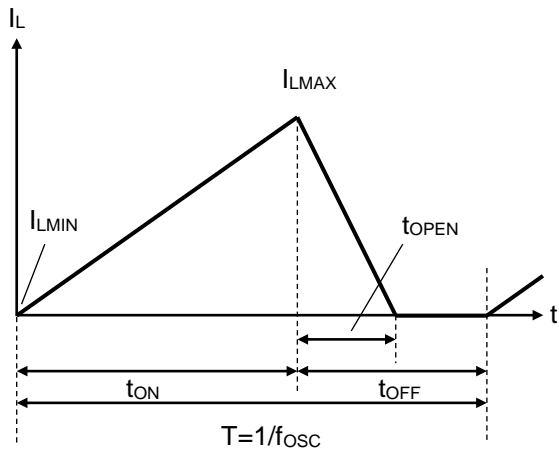


Figure A. Discontinuous Mode

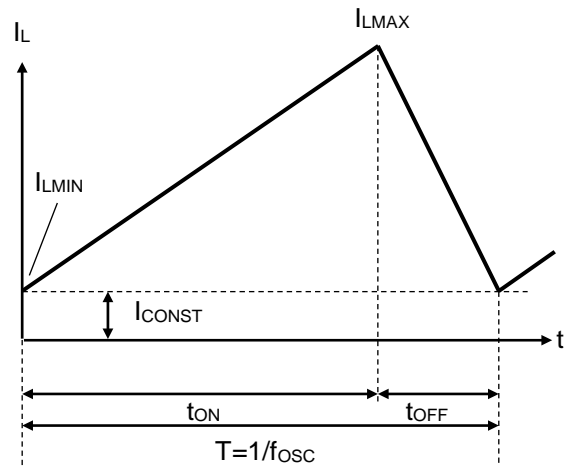


Figure B. Continuous Mode

In the continuous mode, the solution of Equation (1) is described as t_{ONC} .

$$t_{ONC} = T \times V_{OUT} / V_{IN} \dots \dots \dots (2)$$

When $t_{ON} < t_{ONC}$, it is discontinuous mode, and when $t_{ON} = t_{ONC}$, it is continuous mode.

Forced PWM Mode and VFM Mode

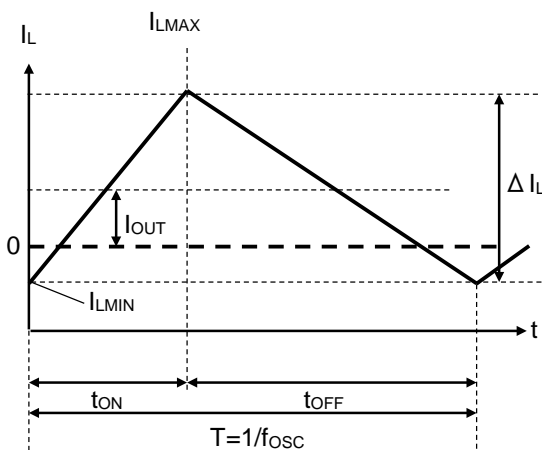
Output voltage controlling method is selectable between a forced PWM control type and a PWM/VFM auto-switching control type, and can be set by the MODE pin. The forced PWM control switches at fixed frequency rate in order to reduce noise in low output current. The PWM/VFM auto-switching control automatically switches from PWM mode to VFM mode in order to achieve high efficiency in low output current.

Forced PWM Mode

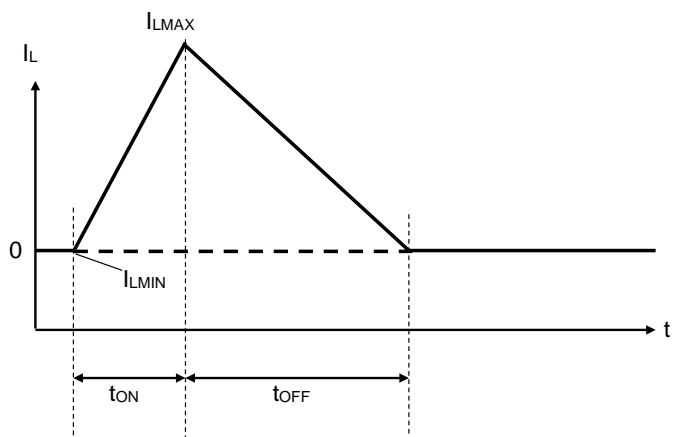
By setting the MODE pin to "High", the IC switches the frequency at the fixed rate to reduce noise even when the output load is light. Therefore, when I_{OUT} is $\Delta I_L/2$ or less, I_{LMIN} becomes less than "0". That is, the accumulated electricity in CL is discharged through the IC side while I_L is increasing from I_{LMIN} to "0" during t_{ON} , and also while I_L is decreasing from "0" to I_{LMIN} during t_{OFF} .

VFM Mode

By setting the MODE pin to "Low", in low output current, the IC automatically switches into VFM mode in order to achieve high efficiency. In VFM mode, t_{ON} is determined depending on V_{IN} and V_{OUT} .



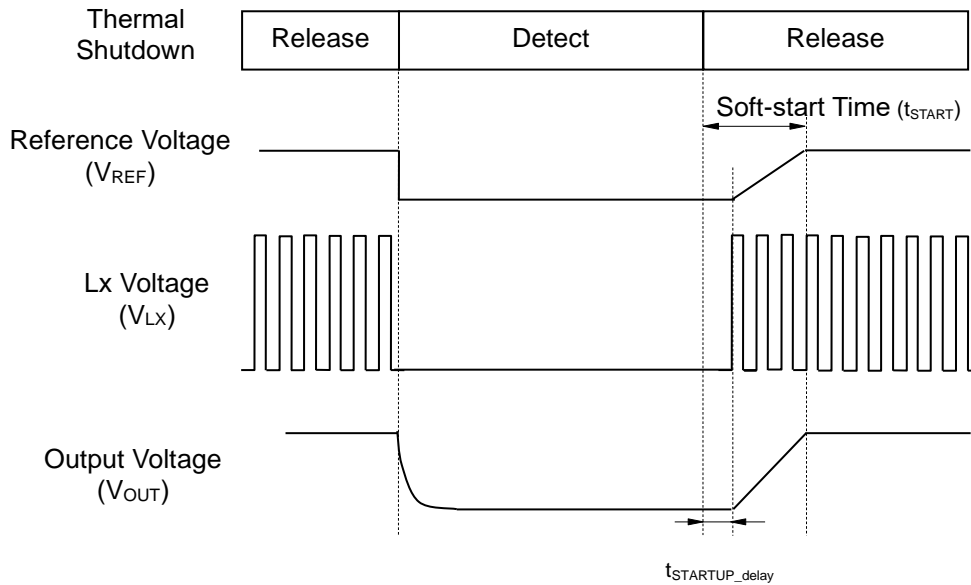
Forced PWM Mode



VFM Mode

Thermal Shutdown Function

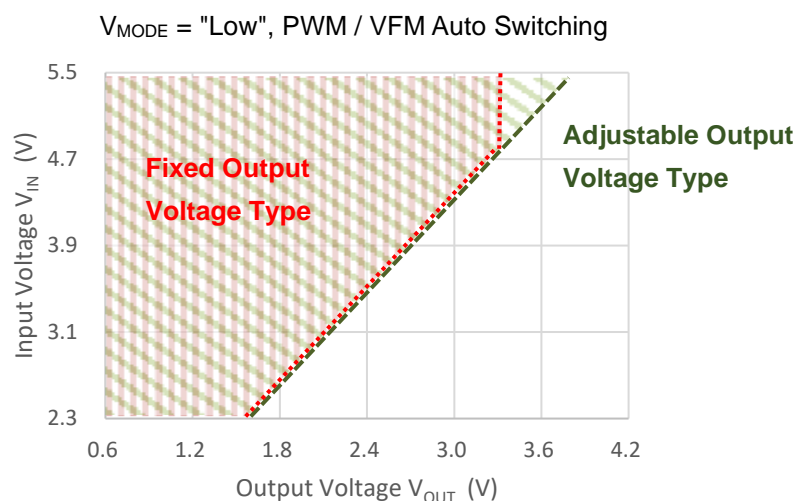
When the junction temperature exceeds the thermal shutdown detection temperature (Typ. 140°C), this IC cuts off the output and suppresses the self-heating. When the junction temperature falls below the thermal shutdown release temperature (Typ. 100°C), this IC will restart with the soft start operation.



TECHNICAL NOTES

The performance of a power source circuit using this device is highly dependent on a peripheral circuit. A peripheral component or the device mounted on PCB should not exceed its rated voltage, rated current or rated power. When designing a peripheral circuit, please be fully aware of the following points.

- Set the external components as close as possible to the IC and minimize the wiring between the components and the IC. Especially, place a capacitor (C_{IN}) as close as possible to the VIN pin and GND.
- Ensure the VIN and GND lines are sufficiently robust. If their impedance is too high, noise pickup or unstable operation may result.
- A large switching current flows through the VIN line, GND line, VOUT line, inductor, LX, L1 and L2. Make the wirings short and wide.
- For any setting type of output voltage, the input/output voltage ratio must meet the following requirement to achieve a stable VFM mode at light load when the MODE pin is "Low" (at PWM/VFM Auto Switching) : $V_{OUT} / V_{IN} < 0.7$



- The thermal shutdown function is to prevent smoke and ignition of the IC, not to ensure the reliability of the IC or to keep it below the absolute maximum rating. In addition, it is not effective against heat generated when the IC is not operating normally, such as latch-up and overvoltage application.
- Do not design with depending on the thermal shutdown function of this IC as the system protection. The thermal shutdown function is designed for this IC.
- ESD Control
Take appropriate precautions when handling this product or PCB included this product.
Ex.
 - Use of an antistatic wrist band
 - Use of an ionizer

APPLICATION INFORMATION

Adjustable Output Voltage Setting (RM590L002C/D)

By connecting divider resistors (R1, R2) to the VFB pin, the set output voltage (V_{SET}) can be set using the following equation.

$$V_{SET} = V_{FB} \times (R1 + R2) / R2$$

The reference voltage (V_{FB}) of this IC is set to 0.6 V, and the accuracy of V_{FB} and the output voltage setting range are as follows.

$$V_{SET}: 0.6V \leq V_{SET} \leq 5.5 V$$

$$V_{FB}: 0.6 V \pm 9mV$$

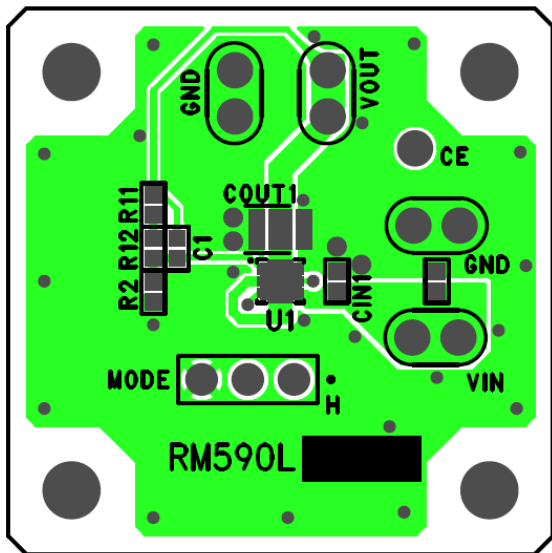
Refer to the following table for the recommended values for R1, R2 and C1.

Set Output Voltage (V_{SET}) vs. R1 / R2 / C1 (Adjustable Output Voltage Type)

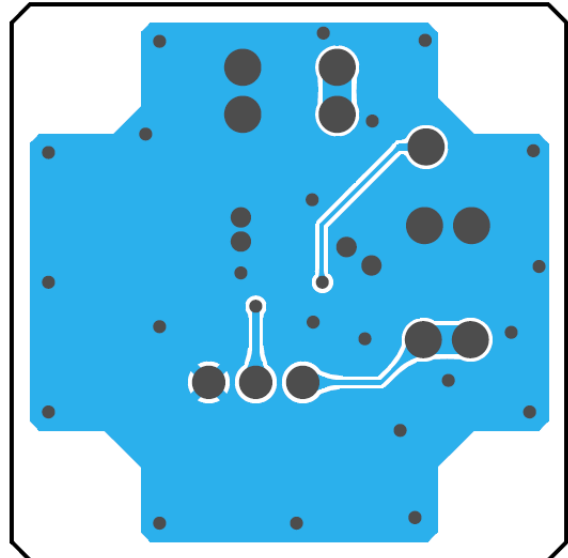
V_{SET} [V]	R1 [kΩ]	R2 [kΩ]	C1 [pF]
0.6	0	220	Open
$0.6 < V_{SET} \leq 0.9$	$R1 = (V_{SET} / V_{FB} - 1) \times R2$	220	47
$0.9 < V_{SET} \leq 1.8$		220	33
$1.8 < V_{SET} \leq 2.1$		150	10
$2.1 < V_{SET} \leq 2.4$		100	10
$2.4 < V_{SET} \leq 2.7$		68	10
$2.7 < V_{SET} \leq 3.0$		47	10
$3.0 < V_{SET} \leq V_{IN}$		47	6.8

PCB Layout

RM590L (QFN2220-8) Board Diagram



Top Layer



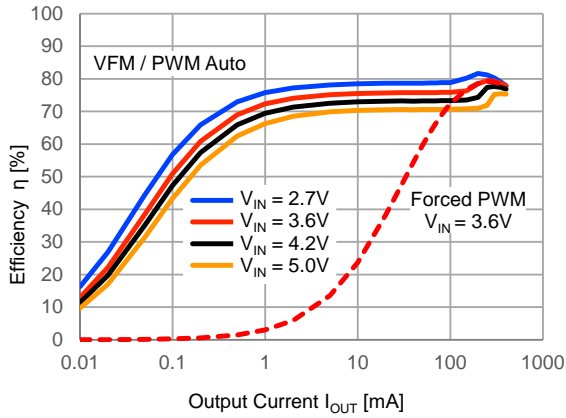
Bottom Layer

TYPICAL CHARACTERISTICS

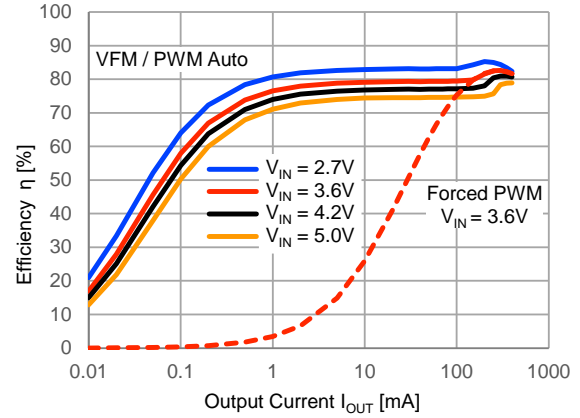
Note: Typical Characteristics are intended to be used as reference data; they are not guaranteed.

1) Efficiency vs. Output Current

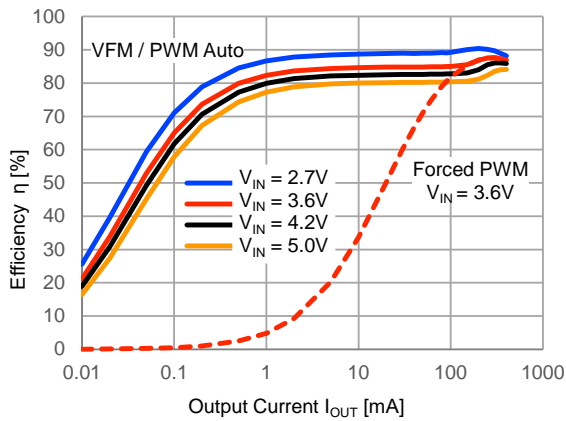
$V_{OUT}=0.9V$



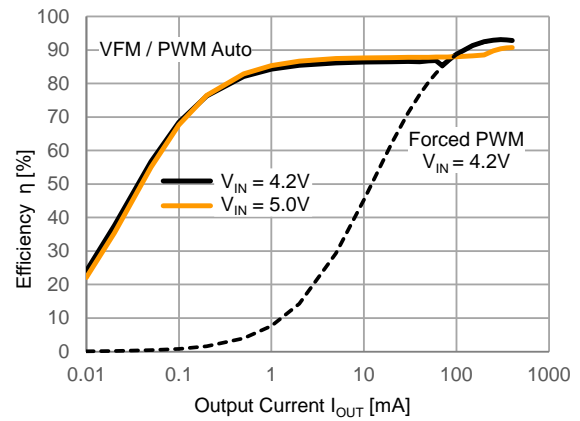
$V_{OUT}=1.2V$



$V_{OUT}=1.8V$



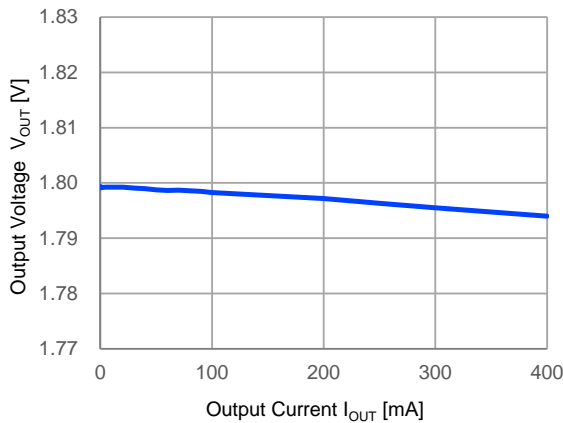
$V_{OUT}=3.3V$



2) Output Voltage vs. Output Current

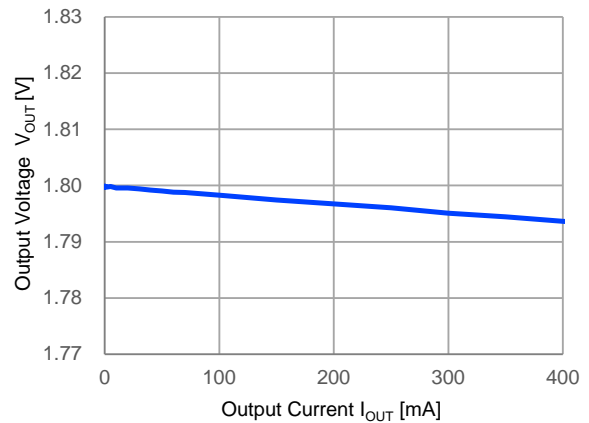
$V_{IN}=3.6V, V_{OUT}=1.8V$

MODE = "H" Forced PWM Mode



$V_{IN}=3.6V, V_{OUT}=1.8V$

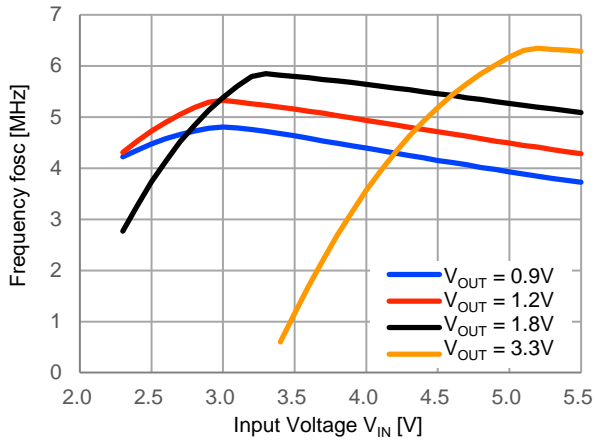
MODE = "L" PWM/VFM Auto Switching



3) Oscillator Frequency vs. Input Voltage

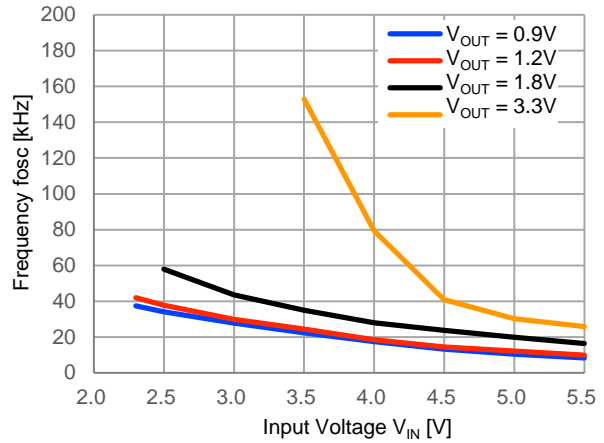
$I_{OUT}=1mA$

MODE = "H" Forced PWM Mode



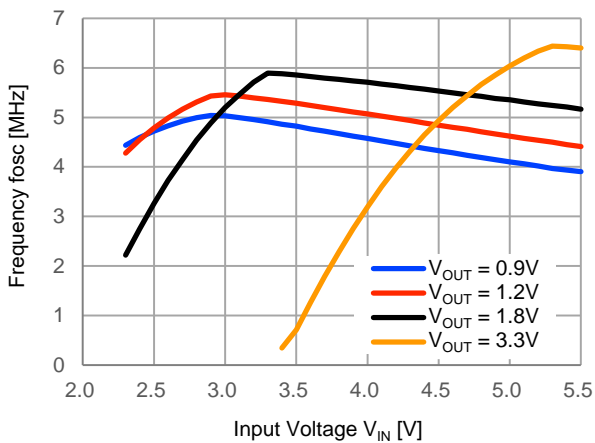
$I_{OUT}=1mA$

MODE = "L" PWM/VFM Auto Switching



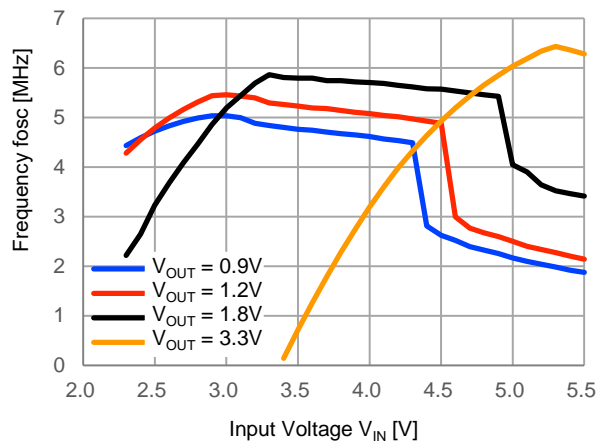
$I_{OUT}=200mA$

MODE = "H" Forced PWM Mode



$I_{OUT}=200mA$

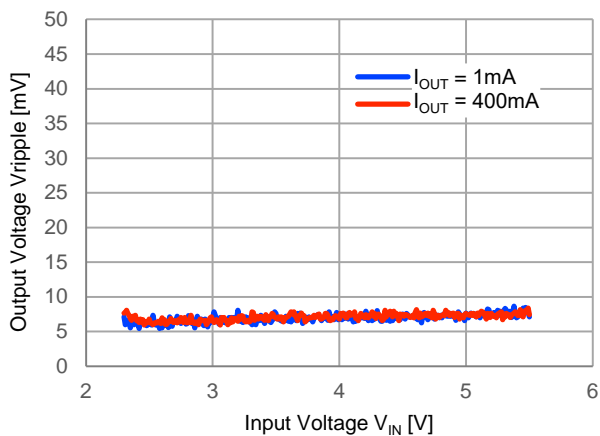
MODE = "L" PWM/VFM Auto Switching



4) Ripple Voltage vs. Input Voltage

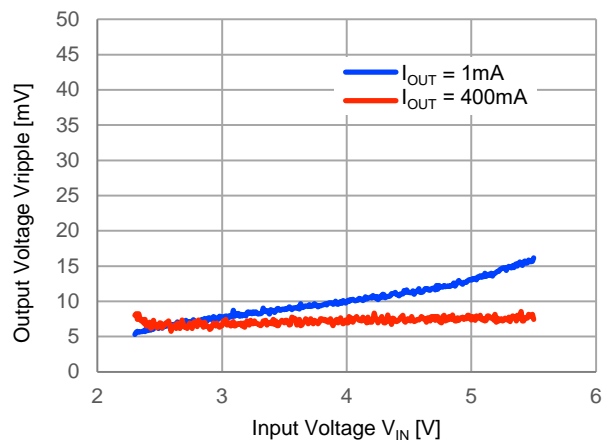
$V_{IN}=3.6V, V_{OUT}=1.8V$

MODE = "H" Forced PWM Mode



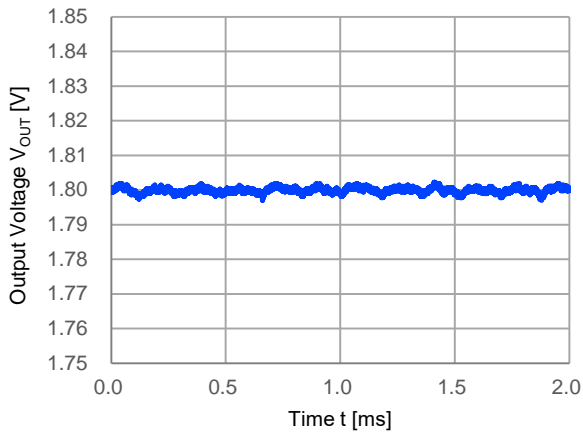
$V_{IN}=3.6V, V_{OUT}=1.8V$

MODE = "L" PWM/VFM Auto Switching

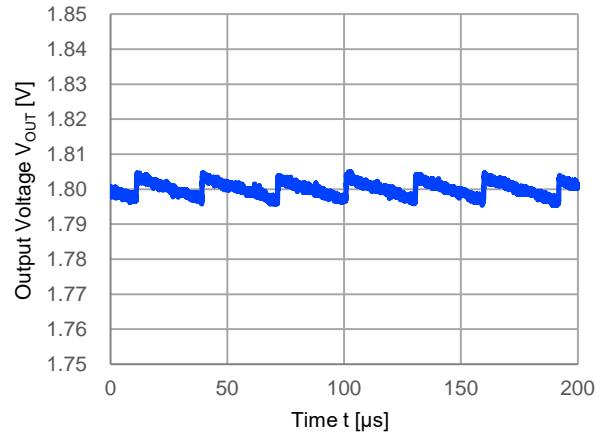


5) Output Voltage Waveform

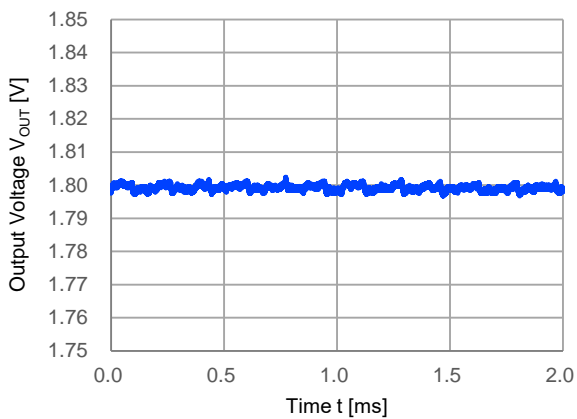
$V_{IN}=3.6V$, $V_{OUT}=1.8V$, $I_{OUT}=1mA$
 MODE = "H" Forced PWM Mode



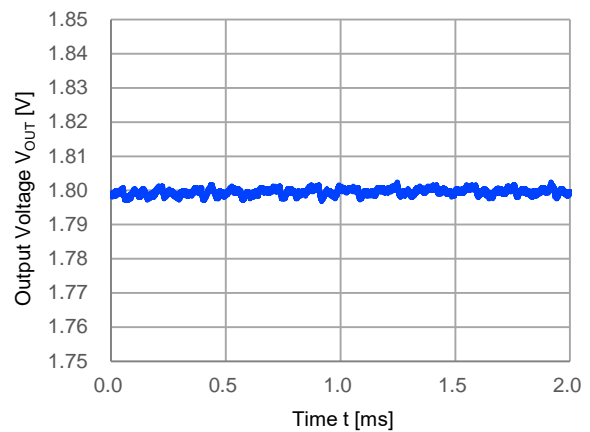
$V_{IN}=3.6V$, $V_{OUT}=1.8V$, $I_{OUT}=1mA$
 MODE = "L" PWM/VFM Auto Switching



$V_{IN}=3.6V$, $V_{OUT}=1.8V$, $I_{OUT}=400mA$
 MODE = "H" Forced PWM Mode

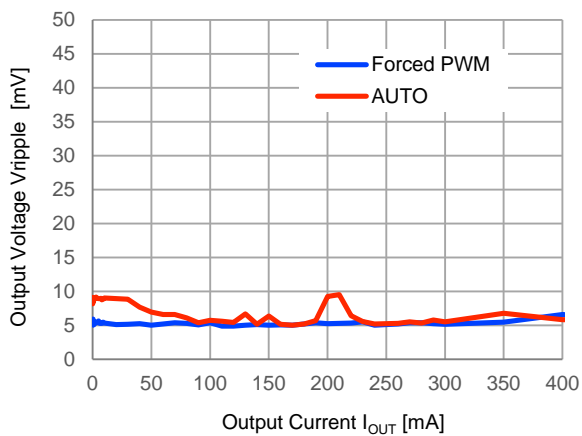


$V_{IN}=3.6V$, $V_{OUT}=1.8V$, $I_{OUT}=400mA$
 MODE = "L" PWM/VFM Auto Switching



6) Ripple Voltage vs. Output Current

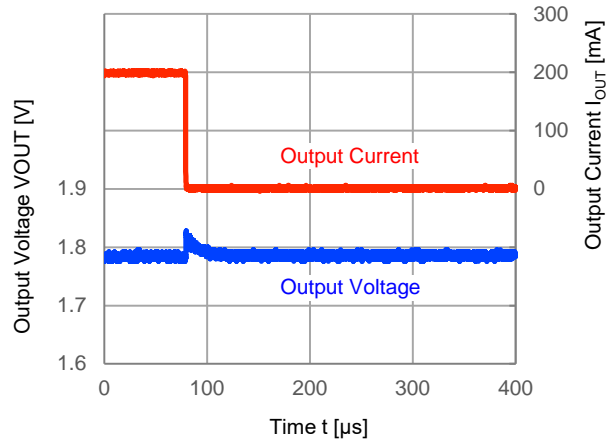
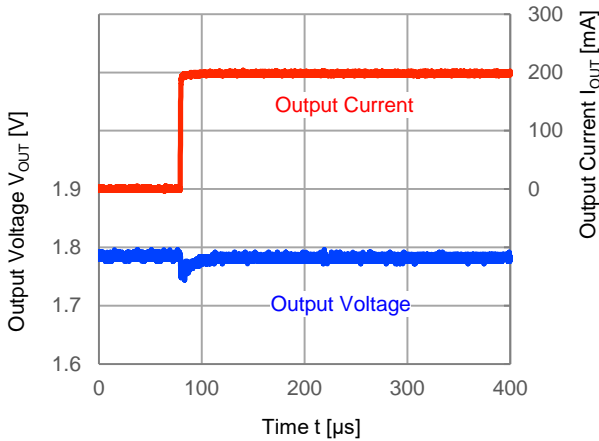
$V_{IN}=3.6V$, $V_{OUT}=1.8V$
 MODE = "L" PWM/VFM Auto Switching, MODE = "H"
 Forced PWM Mode



7) Load Transient Response Waveform

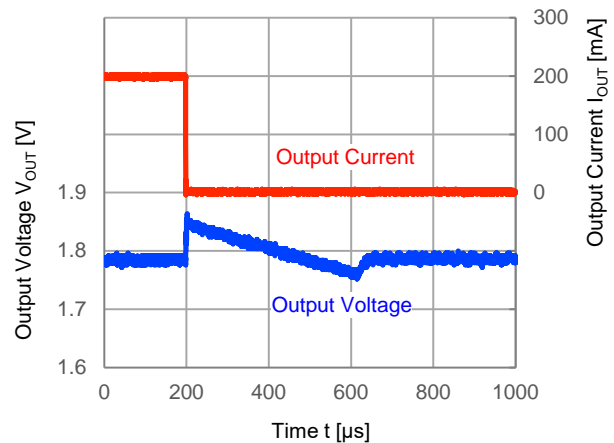
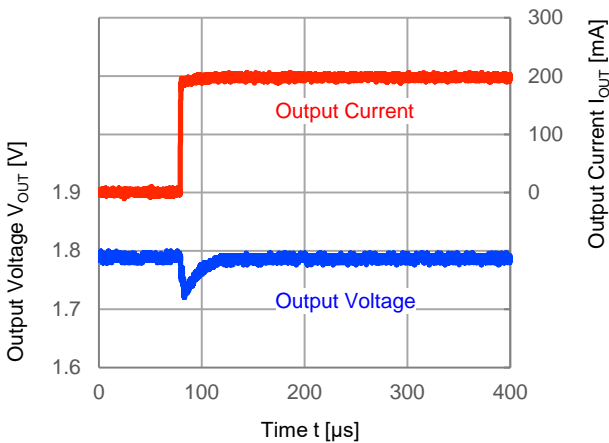
$V_{IN}=3.6V$, $V_{OUT}=1.8V$, $I_{OUT}=1mA \rightarrow 200mA$
 MODE = "H" Forced PWM Mode

$V_{IN}=3.6V$, $V_{OUT}=1.8V$, $I_{OUT}=200mA \rightarrow 1mA$
 MODE = "H" Forced PWM Mode



$V_{IN}=3.6V$, $V_{OUT}=1.8V$, $I_{OUT}=1mA \rightarrow 200mA$
 MODE = "L" PWM/VFM Auto Switching

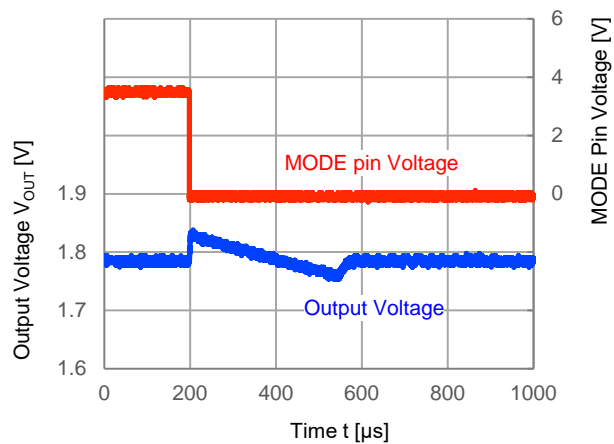
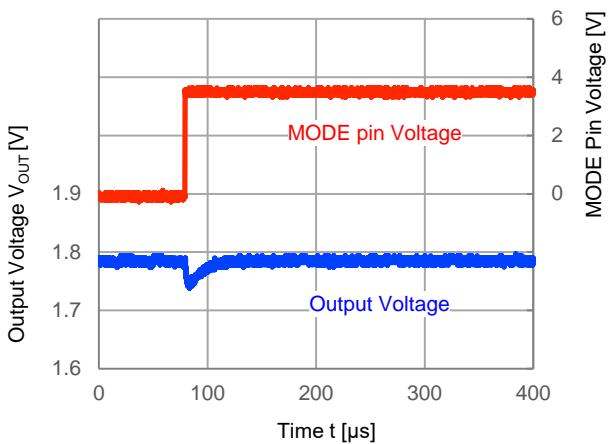
$V_{IN}=3.6V$, $V_{OUT}=1.8V$, $I_{OUT}=200mA \rightarrow 1mA$
 MODE = "L" PWM/VFM Auto Switching



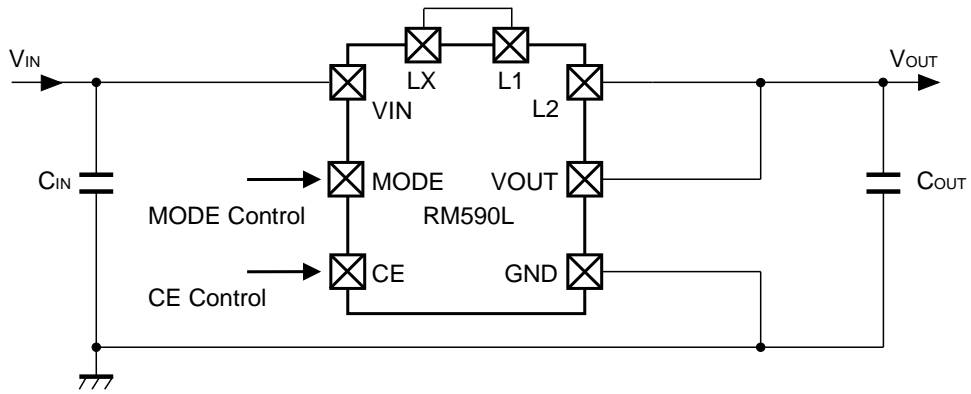
8) Mode Switching Waveform

$V_{IN}=3.6V$, $V_{OUT}=1.8V$, $I_{OUT}=1mA$
 MODE = "L" -> "H"

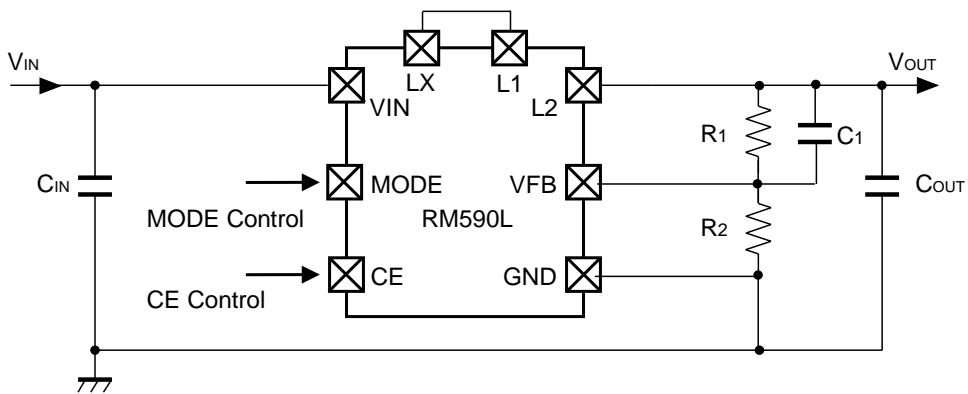
MODE = "H" -> "L"



Test Circuit



RM590Lxx2A/B (Fixed Output Voltage Type)



RM590L002C/D (Adjustable Output Voltage Type)

Components list for our evaluation

Symbol	Specification	Maximum Ratings	Model
C _{IN}	4.7μF	6.3V	C1005X5R0J475M050BC
C _{OUT}	10uF	6.3V	GRM155R60J106ME44D

The power dissipation of the package is dependent on PCB material, layout, and environmental conditions. The following measurement conditions are based on JEDEC STD. 51.

Measurement Conditions

Item	Measurement Conditions
Environment	Mounting on Board (Wind Velocity = 0 m/s)
Board Material	Glass Cloth Epoxy Plastic (Four-Layer Board)
Board Dimensions	76.2 mm × 114.3 mm × 1.6 mm
Copper Ratio	Outer Layer (First Layer): More than 90% of 74.2 mm Square Inner Layers (Second and Third Layers): Approx. 100% of 74.2 mm Square Outer Layer (Fourth Layer): More than 90% of 74.2 mm Square
Through-holes	φ 0.3 mm × 4 pcs

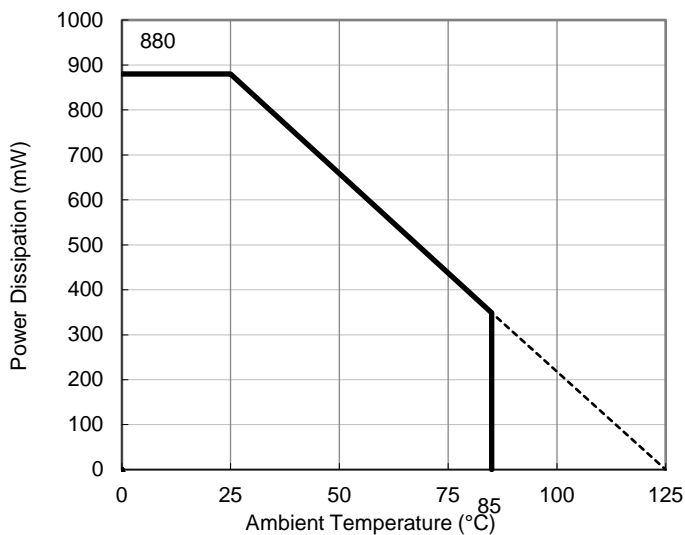
Measurement Result

(Ta = 25°C, Tjmax = 125°C)

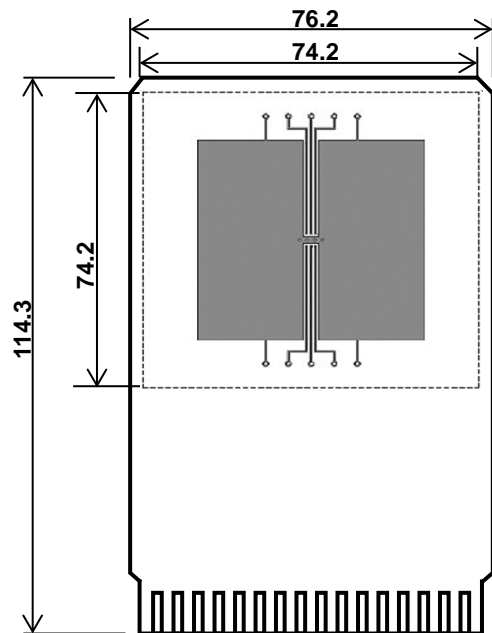
Item	Measurement Result
Power Dissipation	880 mW
Thermal Resistance (θja)	θja = 113°C/W
Thermal Characterization Parameter (ψjt)	ψjt = 55°C/W

θja: Junction-to-Ambient Thermal Resistance

ψjt: Junction-to-Top Thermal Characterization Parameter



Power Dissipation vs. Ambient Temperature

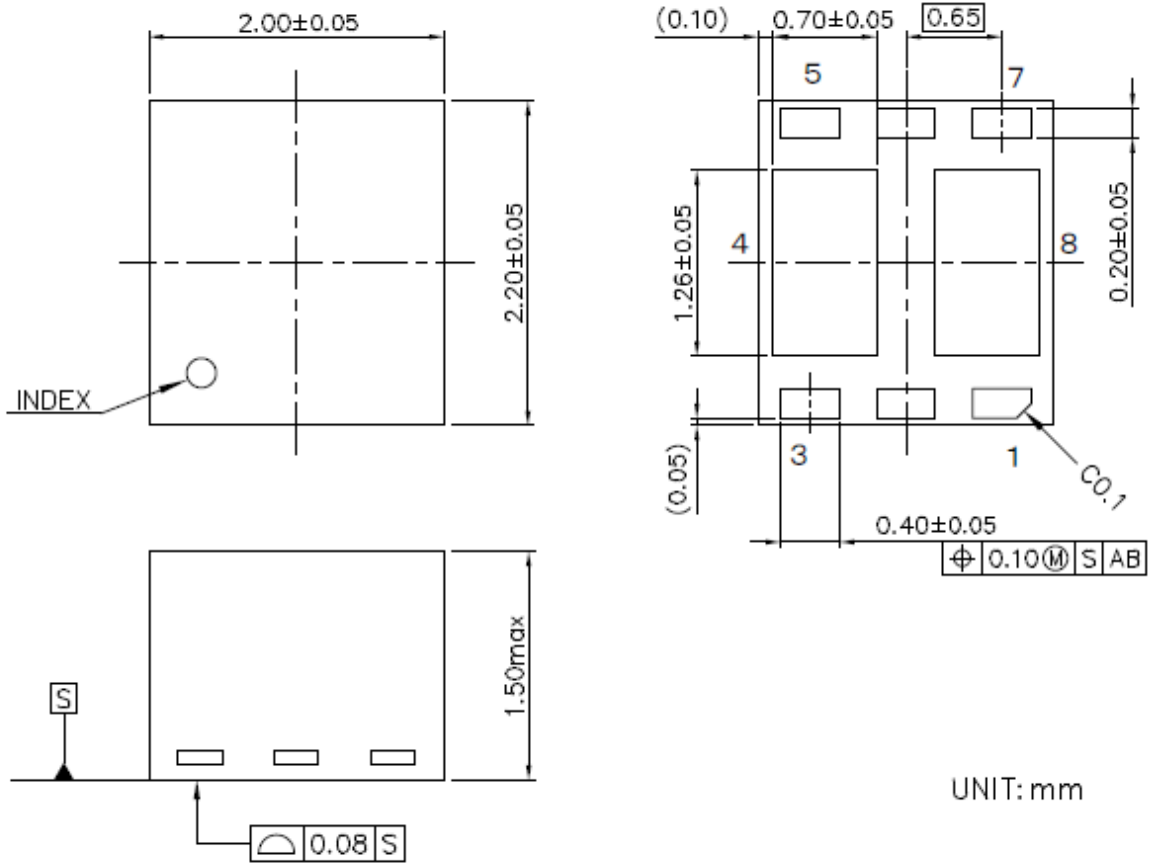


Measurement Board Pattern

PACKAGE DIMENSIONS

QFN2220-8

DM-QFN2220-8-JE-A



QFN2220-8 Package Dimensions



1. The products and the product specifications described in this document are subject to change or discontinuation of production without notice for reasons such as improvement. Therefore, before deciding to use the products, please refer to our sales representatives for the latest information thereon.
2. The materials in this document may not be copied or otherwise reproduced in whole or in part without prior written consent of our company.
3. Please be sure to take any necessary formalities under relevant laws or regulations before exporting or otherwise taking out of your country the products or the technical information described herein.
4. The technical information described in this document shows typical characteristics of and example application circuits for the products. The release of such information is not to be construed as a warranty of or a grant of license under our company's or any third party's intellectual property rights or any other rights.
5. The products listed in this document are intended and designed for use as general electronic components in standard applications (office equipment, telecommunication equipment, measuring instruments, consumer electronic products, amusement equipment etc.). Those customers intending to use a product in an application requiring extreme quality and reliability, for example, in a highly specific application where the failure or misoperation of the product could result in human injury or death (aircraft, spacevehicle, nuclear reactor control system, traffic control system, automotive and transportation equipment, combustion equipment, safety devices, life support system etc.) should first contact us.
6. We are making our continuous effort to improve the quality and reliability of our products, but semiconductor products are likely to fail with certain probability. In order to prevent any injury to persons or damages to property resulting from such failure, customers should be careful enough to incorporate safety measures in their design, such as redundancy feature, fire containment feature and fail-safe feature. We do not assume any liability or responsibility for any loss or damage arising from misuse or inappropriate use of the products.
7. Anti-radiation design is not implemented in the products described in this document.
8. The X-ray exposure can influence functions and characteristics of the products. Confirm the product functions and characteristics in the evaluation stage.
9. WLCSP products should be used in light shielded environments. The light exposure can influence functions and characteristics of the products under operation or storage.
10. There can be variation in the marking when different AOI (Automated Optical Inspection) equipment is used. In the case of recognizing the marking characteristic with AOI, please contact our sales or our distributor before attempting to use AOI.
11. Please contact our sales representatives should you have any questions or comments concerning the products or the technical information.



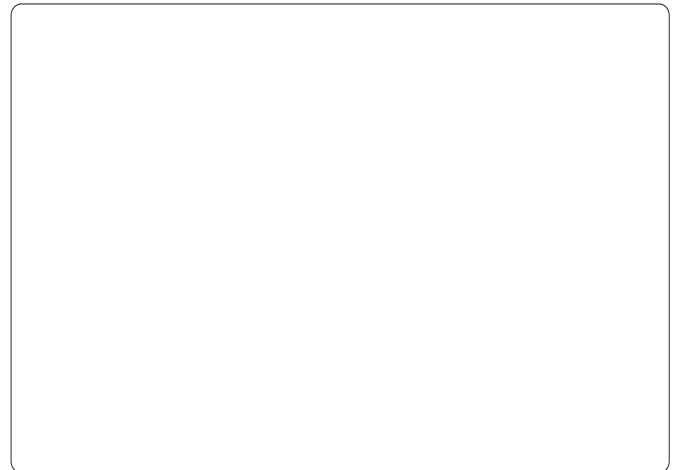
Nisshinbo Micro Devices Inc.

Official website

<https://www.nisshinbo-microdevices.co.jp/en/>

Purchase information

<https://www.nisshinbo-microdevices.co.jp/en/buy/>



X-ON Electronics

Largest Supplier of Electrical and Electronic Components

Click to view similar products for [Switching Voltage Regulators](#) category:

Click to view products by [Nisshinbo](#) manufacturer:

Other Similar products are found below :

[FAN53610AUC33X](#) [FAN53611AUC123X](#) [MP2374DS-LF-Z](#) [EN6310QA](#) [NCP81108MNTXG](#) [NCP81109BMNTXG](#) [R3](#) [LV5710GP-TE-L-H](#) [KE177614](#) [MPQ4423GQ-AEC1-Z](#) [FAN53611AUC12X](#) [MAX809TTR](#) [NCV891234MW50R2G](#) [AST1S31PUR](#) [NCP81103MNTXG](#) [NCP81203PMNTXG](#) [NCP81208MNTXG](#) [NCP81109GMNTXG](#) [SCY1751FCCT1G](#) [NCP81109JMNTXG](#) [MP2161AGJ-Z](#) [NCP81241MNTXG](#) [MP2388GQEU-Z](#) [MPQ4481GU-AEC1-P](#) [MP8756GD-P](#) [MPQ2171GJ-P](#) [MPQ2171GJ-AEC1-P](#) [MP2171GJ-P](#) [NCV1077CSTBT3G](#) [MP28160GC-Z](#) [MPM3509GQVE-AEC1-P](#) [XCL207A123CR-G](#) [XDPE132G5CG000XUMA1](#) [MP5461GC-P](#) [MP28301GG-P](#) [ISL95338IRTZ](#) [MP3416GJ-P](#) [BD9S201NUX-CE2](#) [ISL9113AIRAZ-T](#) [MP5461GC-Z](#) [MPQ2172GJ-AEC1-Z](#) [MPQ4590GS-Z](#) [IR3888AMTRPBFAUMA1](#) [MPQ4409GQBE-AEC1-P](#) [S-19903DA-A8T1U7](#) [S-19903CA-A6T8U7](#) [S-19915BA-A8T1U7](#) [S-19903CA-S8T1U7](#) [S-19902BA-A6T8U7](#) [S-19914AA-A8T1U7](#)