

VOLTAGE CONVERTER

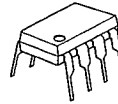
■ GENERAL DESCRIPTION

The NJU7662 is a voltage converter incorporated CR oscillator, voltage-level-shifter and power-MOS, which generates a polarity-converted negative voltage or twofold voltage of an operating voltage ranging from +1.5 to +10V.

The application circuit of negative voltage converter requires only two capacitors, and positive twofold voltage converter requires two capacitors, two resistors and one diode as external components.

The oscillation frequency of the internal oscillator is 10kHz and the negative voltage converter (on no-load condition) achieves extremely high-efficiency voltage conversion rate of 99.9%.

■ PACKAGE OUTLINE



NJU7662D

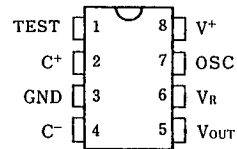


NJU7662M

■ FEATURES

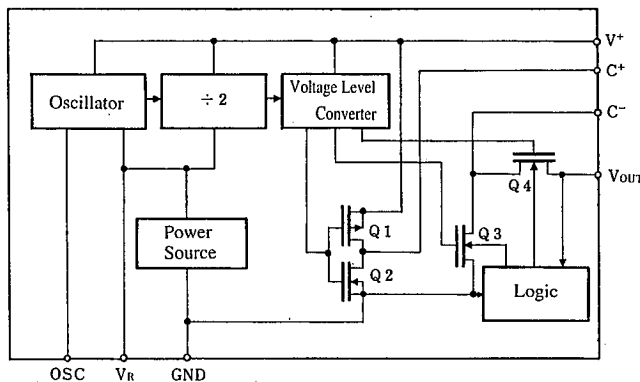
- Polarity-converted Negative Voltage Output
- Twofold Positive Voltage Output
- Operating Voltage --- + 4.5 to +20.0V
- High-efficiency Voltage Conversion Rate-- 99.9%
(No-load, Negative Voltage Converter)
- High-efficiency Power Conversion Rate-- 96%
(Negative Voltage Converter)
- Cascade Connection Available
2n-1 times voltage outputs for negative voltage
2n times voltage outputs for positive voltage
- Few External Components
--- 2 Capacitors, (Negative Voltage Converter)
--- 2 Capacitors, 2 Resistors and 1 Diode
(Positive Voltage Converter)
- Package Outline DIP / DMP 8
- C-MOS Technology

■ PIN CONFIGURATION



NJU7662

■ BLOCK DIAGRAM



■ TERMINAL DESCRIPTION

| NO. | SYMBOL | FUNCTION |
|-----|------------------|---|
| 1 | TEST | Testing Terminal (Normally, non connection) |
| 2 | C ⁺ | Charge Pump Capacitor (+) Connecting Terminal |
| 3 | GND | Ground Terminal |
| 4 | C ⁻ | Charge Pump Capacitor (-) Connecting Terminal |
| 5 | V _{OUT} | Voltage Output Terminal |
| 6 | V _R | Voltage Regulator Control Terminal |
| 7 | OSC | Oscillation Capacitor Connecting Terminal |
| 8 | V ⁺ | Power Supply Terminal (+) |

■ ABSOLUTE MAXIMUM RATINGS

(T_a=25°C)

| PARAMETER | SYMBOL | RATINGS | UNIT |
|-----------------------------|------------------|---|------|
| Supply Voltage | V ⁺ | 22 | V |
| Input Voltage | V _{IN} | -0.3 ~ (V ⁺ +0.3) @ V ⁺ <7 (V ⁺ -7) ~ (V ⁺ +0.3) @ V ⁺ >7 | V |
| Output Short | | CONTINUITY @ V ⁺ <5.5 | |
| Power Dissipation | P _D | (DIP-8) 500 (DMP-8) 300 | mW |
| Operating Temperature Range | T _{opr} | -40 ~ 85 | °C |
| Storage Temperature Range | T _{stg} | -65 ~ +150 | °C |

■ ELECTRICAL CHARACTERISTICS (Negative Voltage Output)

(T_a=25°C, V⁺=15V, C_{OSC}=0)

| PARAMETER | SYMBOL | CONDITIONS | MIN. | TYP. | MAX. | UNIT |
|---------------------------------------|------------------------------|--|------|------|------|------|
| Operating Current | I ⁺ ₁ | R _L =∞, V _R =OPEN | | 250 | 600 | μA |
| | I ⁺ ₂ | V ⁺ =5V, R _L =∞ V _R =GND | | 20 | 150 | μA |
| Operating Voltage | V ⁺ _{HI} | R _L =10kΩ V _R =OPEN | 5.5 | | 20 | V |
| | V ⁺ _{LO} | V _R =GND | 4.5 | | 6 | V |
| Output Resistance (Note 1) | R _{o1} | I _{OUT} =20mA V _R =OPEN | | 60 | 100 | Ω |
| | R _{o2} | V ⁺ =5V, I _{OUT} =3mA, V _R =GND | | 125 | 200 | Ω |
| Oscillation Frequency | F _O | | | 10 | | kHz |
| Power Conversion Rate | P _{EF} | R _L =2kΩ | 93 | 96 | | % |
| Voltage Conversion Rate | V _{EF} | R _L =∞ | 97 | 99.9 | | % |
| Oscillation Terminal Input Current | I _{osc1} | V ⁺ =15V, (V _{OSC} =8~15V) | | 4.0 | | μA |
| | I _{osc2} | V ⁺ =5V, (V _{OSC} =0~5) | | 0.5 | | μA |

(Note 1) The twofold positive converter requires 100Ω series resistor on power source terminal, therefore the output resistance increases to 200Ω.

■ MEASUREMENT CIRCUIT

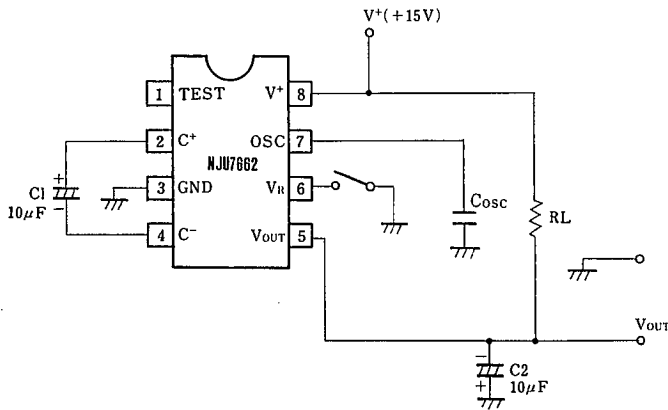
The measurement circuit diagram of negative voltage converter is shown below.

No. 6 terminal must connect to GND or Open according to the operating voltage as follows :

$V^+ < 6V$Connect to GND

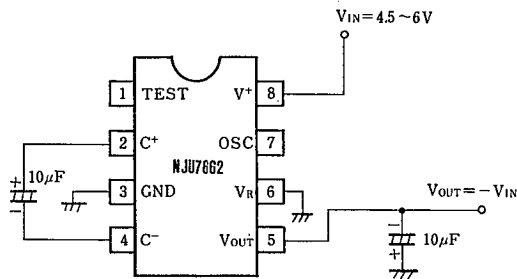
$V^+ \geq 6V$OPEN

The oscillation frequency can be lowered by connecting external capacitor on the No.7 terminal, furthermore it can be also driven by external clock generator.

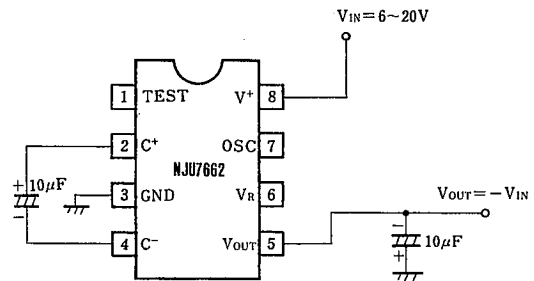


■ APPLICATION CIRCUITS

(1-1) Negative Voltage Output 1
4.5 to 6.0V operation



(1-2) Negative Voltage Output 2
6.0 to 20.0V operation



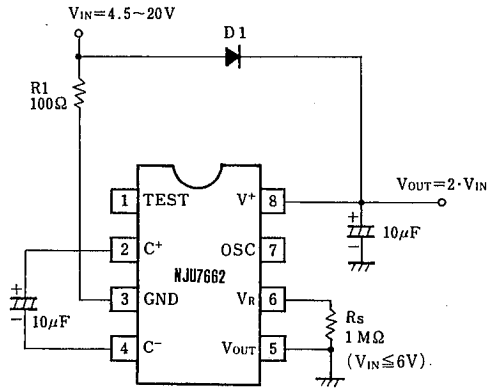
(Note 2) No.6 terminal must connect to GND or Open according to the operating voltage as follows :

$V^+ < 6V$Connect to GND

$V^+ \geq 6V$OPEN

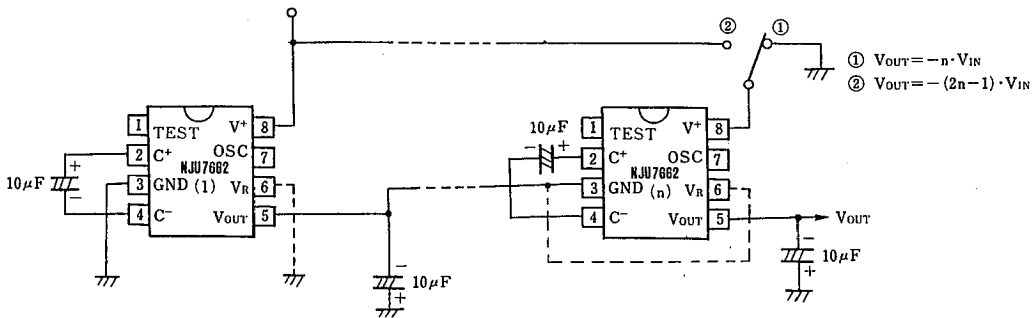
6

(2) Twofold Positive Voltage Output



(Note 3) In the twofold positive voltage output application, R₁, R_S and D₁ are required for start-up.

(3) Cascade Connection (Negative Voltage Output)



(Note 4) No.6 terminal must connect to GND or Open according to the operating voltage as follows :

$V^+ < 6V$Connect to GND

$V^+ \geq 6V$OPEN

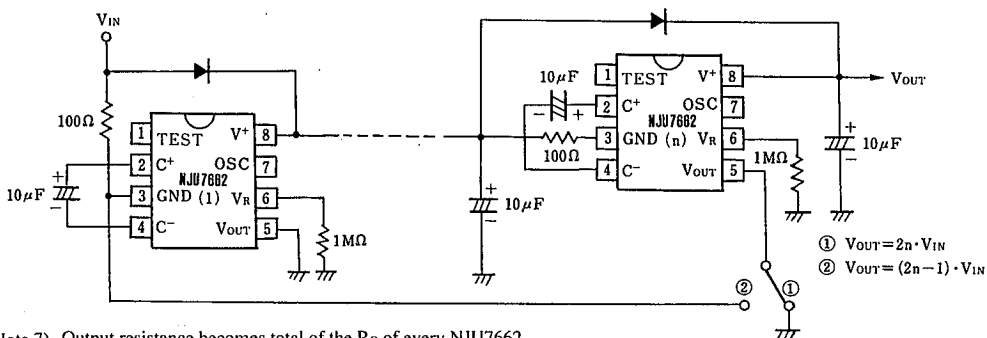
(Note 5) Output resistance becomes total of the R_o of every NJU7662.

(Note 6) In case of the cascade connection (Negative Voltage Output), No.6 terminals (after second IC's) must connect as follows, according to V⁺ - GND Voltage.

$V^+ - GND < 6.0V$GND

$V^+ - GND \geq 6.0V$OPEN

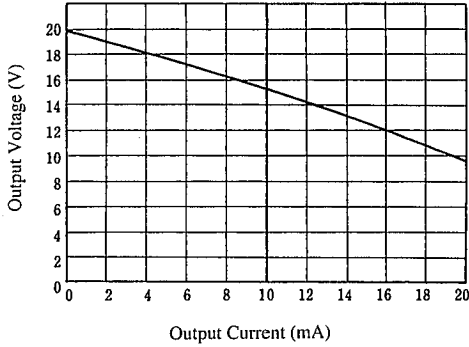
(4) Cascade Connection (Positive Voltage Output)



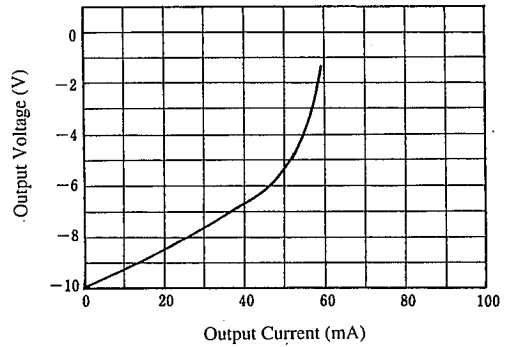
(Note 7) Output resistance becomes total of the R_o of every NJU7662.

■ TYPICAL CHARACTERISTICS

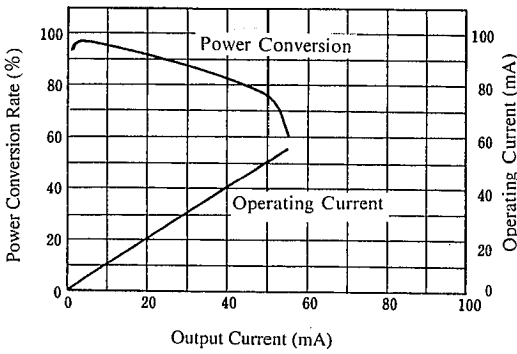
Output Voltage vs. Output Current
 $V_{IN}=10V$ (Twofold Voltage)



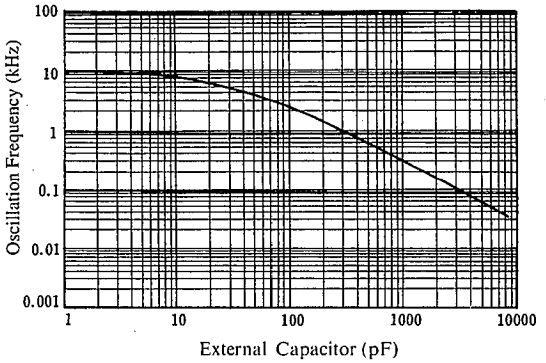
Output Voltage vs. Output Current
 $V_{IN}=10V$ (Negative Voltage)



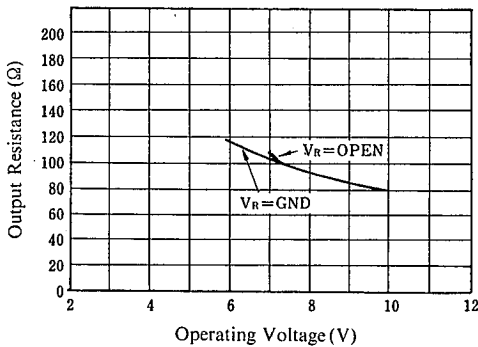
Power Conversion Rate vs. Output Current
 $V_{IN}=10V$



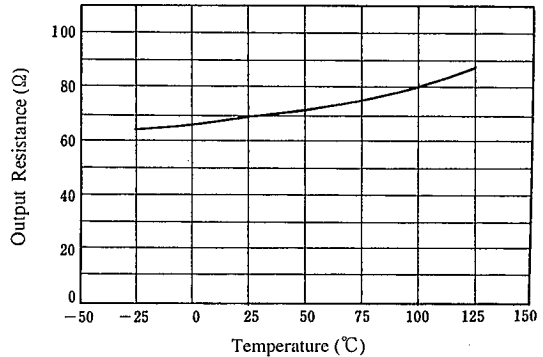
Oscillation Frequency vs. External Capacitor
 $V_{DD}=15V$



Output Resistance vs. Operating Voltage
 $I_O=20mA$



Output Resistance vs. Temperature
 $V_{DD}=15V, I_O=20mA$



MEMO

[CAUTION]

The specifications on this databook are only given for information , without any guarantee as regards either mistakes or omissions. The application circuits in this databook are described only to show representative usages of the product and not intended for the guarantee or permission of any right including the industrial rights.

X-ON Electronics

Largest Supplier of Electrical and Electronic Components

Click to view similar products for [Voltage Regulators - Switching Regulators](#) category:

Click to view products by [NJR](#) manufacturer:

Other Similar products are found below :

[LX7186A](#) [622616F](#) [632259F](#) [FAN53610AUC33X](#) [MP2148GQD-33-P](#) [MP2374DS-LF-Z](#) [EN6310QA](#) [NCP81108MNTXG](#)
[NCP81109BMNTXG](#) [L79M05TL-E](#) [FAN48610BUC45X](#) [R3](#) [LV5710GP-TE-L-H](#) [430464BB](#) [455605G](#) [AZ7500BMTR-E1](#) [MIC23156-](#)
[0YML-T5](#) [MIC4930YFL-T5](#) [MP8763GLE-P](#) [KE177614](#) [418569H](#) [455596X](#) [511087D](#) [030908C](#) [063375FB](#) [067501FB](#) [099508GB](#)
[EP5358LUA](#) [NCP81102MNTXG](#) [715715H](#) [FAN48611UC53X](#) [FAN53611AUC12X](#) [MAX809TTR](#) [MAX77596ETBC+T](#)
[MAX77596ETBB+T](#) [MAX16905AUE/V+](#) [NCP6332CMTAATBG](#) [NCV890203MWTXG](#) [LX7176A](#) [ISL8018IRAJZ](#) [MP2162AGQH-Z](#)
[MAX17544ATP+T](#) [EN6360QI](#) [MCP1623T-IMC](#) [MCP1642B-18IMC](#) [MCP1642BT-30I/MS](#) [MCP1642D-50IMC](#) [MCP1642D-50IMS](#)
[MCP1642D-ADJIMC](#) [MC34063LBBGEVB](#)