

DISTINCTIVE CHARACTERISTICS

Standard with Enhanced LED Illumination:

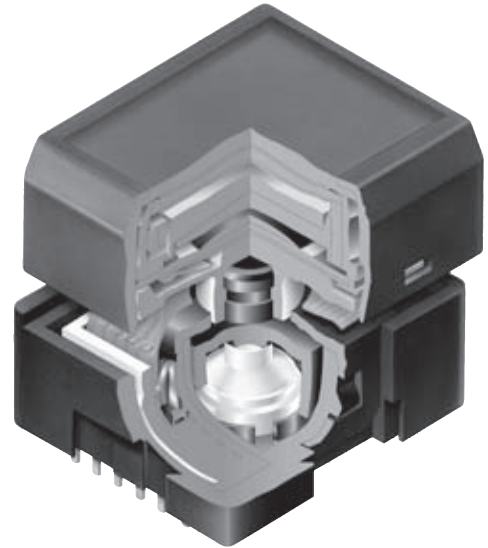
- Broad and even light diffusion
- Consistent backlighting
- Low energy consumption

Programmable LCD

Variety of LED Backlighting Colors

Rubber Dome

Epoxy Sealed Straight PC Terminals



RGB backlighting provides infinite color availability.

Programmable to display graphics, alphanumeric characters and animated sequences.

Integrated liquid crystal display provides wide viewing angle with high contrast and clarity.

Wider viewing area of 17.0mm x 13.0mm (horizontal x vertical) at 36 x 24 pixels.

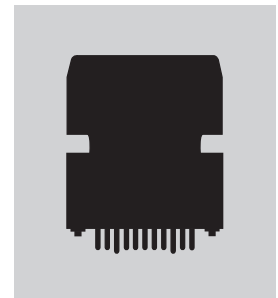
Dome gives crisp tactile feedback to positively indicate circuit transfer.

High reliability and long life of one million actuations minimum.

Epoxy sealed terminals prevent entry of solder flux and other contaminants.

Optional accessories available to enhance panel design and simplify production process.

Actual Size



PART NUMBER & DESCRIPTION



Part Number	Switch Description	LCD Mode	LED Color
IS15BBFP4RGB	SPST Momentary ON Gold Contacts Straight PC Terminals	Black & White FSTN Positive	* Red/Green/Blue

* Simultaneous RGB illumination achieves infinite colors.

SWITCH SPECIFICATIONS

Circuit	SPST normally open
Electrical Capacity (Resistive Load)	100mA @ 12V DC
Contact Resistance	200 milliohms max @ 20mV 10mA
Insulation Resistance	100 megohms min @ 100V DC
Dielectric Strength	125V AC for 1 minute minimum
Mechanical Endurance	1,000,000 operations minimum
Electrical Endurance	1,000,000 operations minimum
Operating Force	2.2 ± 0.5 Newtons
Total Travel	1.8mm (.071")
Operating Temp. Range	-20°C ~ +60°C (-4°F ~ +140°F)
Storage Temp. Range	-30°C ~ +70°C (-22°F ~ +158°F)

Absolute Maximum Ratings (Temperature at 25°C)

Items	Symbols	Ratings
Supply Voltage for Logics	V _{DD}	-0.3V to +7.0V
Supply Voltage for LCD	V _{LC}	-0.3V to +12.0V
Input Voltage	V _I	-0.3V to V _{DD} +0.3V
Output Voltage	V _O	-0.3V to V _{DD} +0.3V

DC Characteristics of LCD Drive (Temperature at -20°C to +60°C and V_{DD} = 5.0V ±10%)

Items	Symbols	Test Conditions	Minimum	Typical	Maximum	Unit
High Level Input Voltage	V _{IH}		0.7V _{DD}		V _{DD}	V
Low Level Input Voltage	V _{IL}		0		0.3V _{DD}	V
High Level Input Leakage Current	I _{LIH}	V _I = V _{DD}			10	μA
Low Level Input Leakage Current	I _{LIL}	V _I = 0V			-10	μA
High Level Output Voltage	V _{OH}	I _{OH} = -500μA	V _{DD} -0.5			V
Low Level Output Voltage	V _{OL}	I _{OL} = 500μA			0.5	V
High Level Output Leakage Current	I _{LOH}	V _O = V _{DD}			10	μA
Low Level Output Leakage Current	I _{LOL}	V _O = 0V			-10	μA
Supply Current	I _{DD}	f _{SCP} = 1.0MHz			500	μA
LCD Drive Current	I _{LC}	f _{LP} = 2.4kHz V _{LC} = 7.3V		500	2,000	μA

Timing Characteristics of LCD Drive IC

(Temperature at -20°C to +60°C and V_{DD} = 5.0V ±10%)

Items	Symbols	Minimum	Maximum
Clock Operation Frequency	f _{SCP}		6.0MHz
Latch Pulse Frequency	f _{LP}		50kHz
Clock High Level Pulse Width	t _{CWH}	70ns	
Clock Low Level Pulse Width	t _{CWL}	70ns	
Data Setup Time	t _{DSD}	45ns	
Data Hold Time	t _{DHD}	50ns	
Data Output Delay Time	t _{PDO}		25ns
Latch Setup Time	t _{DSL}	50ns	
Latch Hold Time	t _{DHL}	50ns	
Latch High Level Width	t _{LWH}	200ns	
FLM Setup Time	t _{DSF}	50ns	
FLM Hold Time	t _{DHF}	50ns	
SCP, LP Rise/Fall Time	t _r /t _f		15ns

LCD SPECIFICATIONS

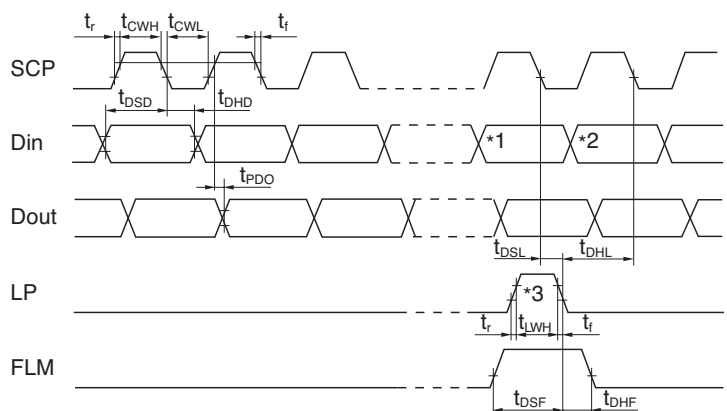
Characteristics of Display

Display Operation Mode	FSTN positive
Display Condition	Transflective with built-in LED backlight
Viewing Angle	6 o'clock
Driving Method	1/24 duty, 1/5 bias (built-in driving circuit)
Viewing Area	17.0mm x 13.0mm (horizontal x vertical)
Pixel Format	36 x 24 pixels (horizontal x vertical)
Pixel Size	0.440mm x 0.495mm (horizontal x vertical)
Backlight LED	RGB: red/green/blue

Recommended Operating Conditions (Temperature at 25°C)

Items	Symbols	Minimum	Typical	Maximum
Supply Voltage for Logics	V _{DD}	4.5V	5.0V	5.5V
Supply Voltage Black/White	V _{LC}	7.1V	7.3V	7.5V
Input Voltage	V _I	0V	—	V _{DD}
Driving Frequency	f _{FLM}	—	150Hz: black/white	—

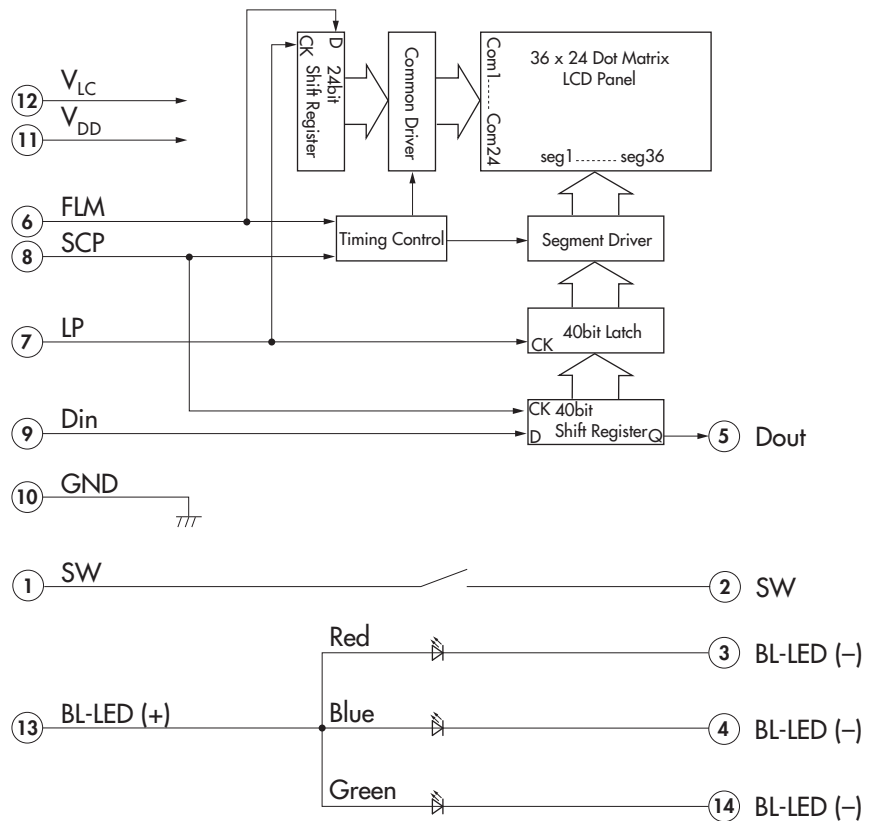
Timing Diagram



- *1 Last data on first line
- *2 Beginning data on second line
- *3 Location of LP signal on first line



IS15BBFP4RGB
RGB LED Backlight
Black and White LCD



Pin No.	Symbol	Name	Function
①	SW	Terminal of Switch	Normally open
②	SW	Terminal of Switch	Normally open
③	BL-LED (-)	Terminal of Backlight LED	Cathode for red
④	BL-LED (-)	Terminal of Backlight LED	Cathode for blue
⑤	Dout	Data Output	Display serial output. Can be used to connect to Din of the next SMARTSWITCH. As a result, many SMARTSWITCHES can be controlled with one clock and data signal.
⑥	FLM	First Line Marker	The marking signal for the first line data of LCD display. The first line of LCD will be selected by the falling edge of LP signal during the high level (FLM).
⑦	LP	Latch Pulse	Line data latch pulse will latch content of internal 40-bit shift register at falling edge for one line of display. LP will also increment the display line by one.
⑧	SCP	Serial Clock Pulse	Clock used by 40-bit internal shift register of the switch, shifting the display data bit presented at Din at falling edge.
⑨	Din	Data Input	Display serial data bit. Note: to map the display data, because of the difference between the number of internal shift register data (40) and the single line of LCD pixels (36), the first four bits of data shifted will be dummy bits.
⑩	GND	Ground	
⑪	V _{DD}	Power	Power source for logic circuit
⑫	V _{LC}	Power	Power source for LCD drive
⑬	BL-LED (+)	Terminal of Backlight LED	Anode for common
⑭	BL-LED (-)	Terminal of Backlight LED	Cathode for green

SUPER BRIGHT RGB LED SPECIFICATIONS

Typical Electrical Characteristics (Temperature at 25°C)

Backlight Color	Symbols	Red	Green	Blue	Unit
Forward Current	I_F	10	8.5	8.0	mA
Forward Voltage	V_F	2.0	2.8	2.8	V

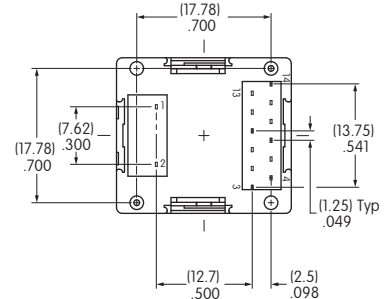
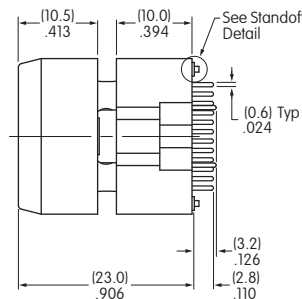
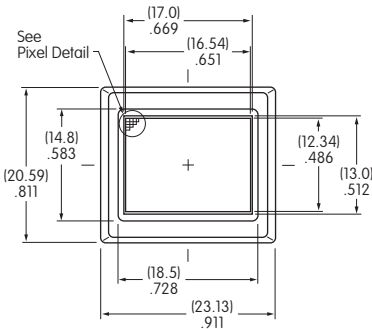
ABSOLUTE MAXIMUM FOR RGB LED

Electrical Characteristics (Temperature at 25°C)

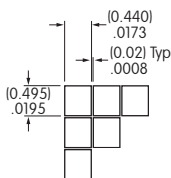
Backlight Color	Symbols	Red	Green	Blue	Unit
Forward Current	I_F	20	20	20	mA
Forward Voltage	V_F	2.0 ($I_F = 10\text{mA}$)	2.8 ($I_F = 8.5\text{mA}$)	2.8 ($I_F = 8.0\text{mA}$)	V
Reverse Voltage	V_R	4.0	4.0	4.0	V
Current Reduction Rate Above 25°C	$\Delta I_F(\text{DC})$	-0.33	-0.33	-0.33	mA/°C
*Power Dissipation (LED Overall 115mW)	P_D	40	60	60	mW

*For uniform light emission, Power Dissipation should not exceed the Absolute Maximum Rating, and the Forward Current should not exceed the derated Absolute Forward Current.

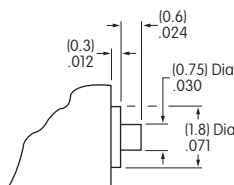
TYPICAL SWITCH DIMENSIONS WITH RGB LED



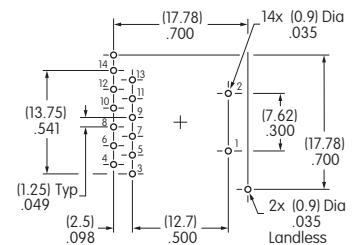
Terminal numbers are not on the switch.



Pixel Detail



Standoff Detail



Footprint

PRECAUTIONS FOR HANDLING & STORAGE OF LCD 36 x 24 DEVICES

Handling



1. The IS Series devices are electrostatic sensitive.
2. Limit operating force to keytop to 100.0N maximum, as excessive pressure may damage the LCD device.
3. The IS series devices are not process sealed.
4. If the LCD is accidentally broken, avoid contact with the liquid and wash off any liquid spills to the skin or clothing.
5. Clean cap surface with dry cloth. If further cleaning is needed, wipe with dampened cloth using neutral cleanser and dry with clean cloth. Do not use organic solvent.
6. Recommended soldering time and temperature limits:
Do not exceed 70°C at the LCD level.
Wave Soldering: see Profile B in the Supplement section.
Manual Soldering for Switch: see Profile A in the Supplement section.
Manual Soldering for Display: see Profile B in the Supplement section.
7. Recommendation for backlight color uniformity: Use constant current driver. For current limiting resistor method, the power source should be at least twice the backlight LED forward voltage.
8. The VLC voltage should not be applied before logic voltage. If VLC voltage is present before logic voltage, it may cause the driver logic to freeze and damage the LCD, and the driver logic may become damaged.
9. Backlight Forward Current should not exceed the derated Absolute Maximum Forward Current based on the temperature.
10. Excessive images may result after the same image is emitted continuously for an extended period of time.

Storage

1. Store in original container and away from direct sunlight.
2. Keep away from static electricity.
3. Avoid extreme temperatures, high humidity, gaseous substances, and all forms of chemical contamination.

X-ON Electronics

Largest Supplier of Electrical and Electronic Components

Click to view similar products for [Display Switches](#) category:

Click to view products by [NKK Switches](#) manufacturer:

Other Similar products are found below :

[CTHS15CIC07ARROW](#) [CTHS15CIC04ONOFF](#) [CTHS15CIC07ALARM](#) [CTHS15CIC01ONOFF](#) [CTHS15CIC01ARROW](#) [CTHS15CIC07](#)
[CTHS15CIC04ARROW](#) [CTHS15CIC07ONOFF](#) [CTHS15CIC06ARROW](#) [CTHS15CIC05ONOFF](#) [CTHS15CIC05ARROW](#)
[CTHS15CIC05ALARM](#) [CTHS15CIC05](#) [CTHS15CIC01](#) [CSMS15CIC04](#) [IS01BBFRGB](#) [IS01EBFRGB](#) [IS15BBFP4RGB](#) [IS15EBFP4RGB](#)
[IS15EBFP4RGB-09YN](#) [IS15ESBFP4RGB](#) [IS18WWC1W](#) [ISC15ANP4](#) [ISF15ACP4](#) [CSMS15CIC01](#) [CSMS15CIC05](#) [CSMS15CIC06](#)
[CSMS15CIC07](#) [CTHS15CIC01ALARM](#) [CTHS15CIC06ONOFF](#) [CTHS15CIC06ALARM](#) [CTHS15CIC06](#) [CTHS15CIC04ALARM](#)
[IS15SBCP4EF](#) [IS15SBFP4B](#) [IS15SBCP4CF](#)