

# General Specifications

Toggles

Rockers  
B

Pushbuttons

Illuminated PB

Programmable

Keylocks

Rotaries

Slides

Tactiles

Tilt

Touch

Indicators

Accessories

Supplement

## Electrical Capacity

**Power Level:** 5A @ 125V AC, 3A @ 250V AC, & 3A @ 30V DC

## Other Ratings

**Contact Resistance:** 10 milliohms maximum

**Insulation Resistance:** 200 megohms minimum @ 500V DC

**Dielectric Strength:** 1,000V AC minimum between contacts for 1 minute minimum;  
1,500V AC minimum between contacts & case for 1 minute minimum

**Mechanical Life:** 30,000 operations minimum

**Electrical Life:** 10,000 operations minimum

**Nominal Operating Force:** 9.94N for rockers & 4.41N for paddles

**Angle of Throw:** 24° for On-None-(On); 28° for all other circuits

## Materials & Finishes

**Housing:** Stainless steel

**Movable Contacts:** Silver alloy

**Stationary Contacts:** Silver

**Base:** Phenolic resin

**Common Terminal:** Copper with silver plating

**End Terminals:** Copper with silver plating

**Lamp Terminals:** Phosphor bronze with nickel plating

## Environmental Data

**Operating Temperature Range:** -10°C through +50°C (+14°F through +122°F)

**Humidity:** 90 ~ 95% humidity for 96 hours @ 40°C (104°F)

**Vibration:** 10 ~ 55Hz with peak-to-peak amplitude of 1.5mm traversing the frequency range & returning in 1 minute; 3 right angled directions for 2 hours

**Shock:** 50G (490m/s<sup>2</sup>) acceleration (tested in 3 right angled directions, with 3 shocks in each direction)

## Installation

**Cap Installation Force:** 9.80N (2.2 lbf) for rockers;

19.61N (4.4 lbf) for paddle

**Soldering Time & Temperature:** Manual Soldering: See Profile A in Supplement section.

## Standards & Certifications

**UL:** File No. E44145 - Recognized only when ordered with marking on switch.

Add "/U" or "/CUL" before first dash in part number to order UL recognized switch.

All models recognized at 5A @ 125V AC & 3A @ 250V AC.

# Distinctive Characteristics

Industry's first miniature snap-in, lighted rocker switch.

Actuators in various styles operate with firm, well-defined movements.

Interlocking actuator prevents switch failure due to jamming or window locking.

Two bezel sizes adapt to varied panel cutouts.

Unique stainless steel retaining clips securely hold switches over a range of panel thicknesses, even when exposed to vibration.

Space conserving front panel mounting with minimum behind panel dimension of .902" (22.9mm).

Durable stainless steel housing prevents corrosion.

Isolated lamp circuit for incandescent, LED, and neon lamps. Front panel relamping.

Built-in protective cover shields contacts from dust.

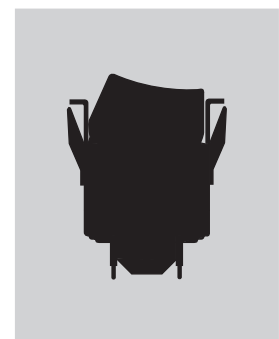
Epoxy sealed solder lug terminals lock out flux, dust, and other contaminants.

Extended lamp terminal for ease of wiring.

Matching indicators available.



Actual Size



- Supplement
- Accessories
- Indicators
- Touch
- Tilt
- Tactiles
- Slides
- Rotaries
- Keylocks
- Programmable
- Illuminated PB
- Pushbuttons
- B** Rockers
- Toggle

### TYPICAL SWITCH ORDERING EXAMPLE

**MLW30**

**2**

**5**

**12**

**DC**

**1A**

#### Poles

|   |              |
|---|--------------|
| 1 | SPDT         |
| 2 | SP3T<br>DPDT |

#### Circuits

|   |      |      |      |
|---|------|------|------|
| 2 | ON   | NONE | ON   |
| 3 | ON   | OFF  | ON   |
| 5 | ON   | NONE | (ON) |
| 8 | (ON) | OFF  | (ON) |
| 9 | ON   | OFF  | (ON) |
| 0 | ON   | ON   | ON   |

( ) = Momentary

#### Lamps

##### Incandescent & Neon Lamps

|    |   |
|----|---|
| 00 | No Lamp                                   |
| 06 | 6-volt                                    |
| 12 | 12-volt                                   |
| 18 | 18-volt                                   |
| 24 | 24-volt                                   |
| 28 | 28-volt                                   |
| N  | 110-volt (not suitable with green & blue) |

##### Single Element LED Colors

|   |        |
|---|--------|
| C | Red    |
| E | Yellow |
| F | Green  |

#### Cap Types & Colors

##### Rocker

|    |        |
|----|--------|
| RA | Black  |
| RB | White  |
| RC | Red    |
| RD | Orange |
| RE | Yellow |
| RF | Green  |
| RG | Blue   |

##### Paddle

|    |        |
|----|--------|
| PA | Black  |
| PB | White  |
| PC | Red    |
| PD | Orange |
| PE | Yellow |
| PF | Green  |
| PG | Blue   |

##### Design Rocker

|    |        |
|----|--------|
| DB | White  |
| DC | Red    |
| DD | Orange |
| DF | Green  |
| DG | Blue   |

##### LED Rocker

|    |        |
|----|--------|
| LB | White  |
| LC | Red    |
| LE | Yellow |
| LF | Green  |

##### Sculptured Rocker

|    |        |
|----|--------|
| SB | White  |
| SC | Red    |
| SE | Yellow |
| SF | Green  |

#### Bezels/Colors

##### Standard

|    |        |
|----|--------|
| 1A | Black  |
| 1B | White  |
| 1C | Red    |
| 1D | Orange |
| 1E | Yellow |
| 1F | Green  |
| 1G | Blue   |
| 1H | Gray   |

##### Large

|    |        |
|----|--------|
| 2A | Black  |
| 2B | White  |
| 2C | Red    |
| 2D | Orange |
| 2E | Yellow |
| 2F | Green  |
| 2G | Blue   |
| 2H | Gray   |

#### DESCRIPTION FOR TYPICAL ORDERING EXAMPLE

**MLW3025-12-DC-1A**

Design Cap  
(Black Rocker Base  
with Red Filter)

DPDT  
ON-NONE-(ON)  
Circuit



12-volt  
Incandescent Lamp  
Black .787"  
(20.0mm)  
Wide Bezel

#### IMPORTANT:



Switches are supplied without UL & cULus markings unless specified.  
**UL & cULus recognized only when ordered with marking on the switch.**  
Specific models and ratings noted on the General Specifications page.

## POLES & CIRCUITS

| Pole | Model   | Rocker Position<br>( ) = Momentary |                                   |                                  | Connected Terminals |        |         | Throw & Power/Lamp Schematics   |
|------|---|------------------------------------|-----------------------------------|----------------------------------|---------------------|--------|---------|---|
|      |   | Down                               | Center                            | Up                               | Down                | Center | Up      |   |
| SP   | MLW3012<br>MLW3013<br>MLW3015<br>MLW3018<br>MLW3019 | ON<br>ON<br>ON<br>(ON)<br>ON       | NONE<br>OFF<br>NONE<br>OFF<br>OFF | ON<br>ON<br>(ON)<br>(ON)<br>(ON) | 2-3                 | OPEN   | 2-1     | Notes: Terminal numbers are not actually on switch. Lamp circuit is isolated and requires an external power source.<br><br>SPDT<br> |
| DP   | MLW3022<br>MLW3023<br>MLW3025<br>MLW3028<br>MLW3029 | ON<br>ON<br>ON<br>(ON)<br>ON       | NONE<br>OFF<br>NONE<br>OFF<br>OFF | ON<br>ON<br>(ON)<br>(ON)<br>(ON) | 2-3 5-6             | OPEN   | 2-1 5-4 | DPDT<br>  |

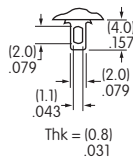
### For 3 Throw (3-On)

| Pole                        | Model   | Down | Center | Up | Connected Terminals & Schematics |         |         | External Connection  |
|-----------------------------|---------|------|--------|----|----------------------------------|---------|---------|--|
| SP                          | MLW3020 | ON   | ON     | ON |                                  |         |         | The SP3T model utilizes a double pole base.<br><br>External connection must be made during field installation.<br> |
| With External Connection    |         |      |        |    | 2-6                              | 2-4     | 2-1     |  |
| Without External Connection |         |      |        |    | 2-3 5-6                          | 2-3 5-4 | 2-1 5-4 |  |

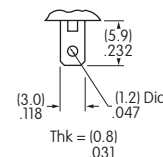
## TERMINALS

### Switch Terminals

Center terminal is .020" (0.5mm) longer



### Lamp Terminals



## LAMP CODES & SPECIFICATIONS

Electrical specifications are determined at a basic temperature of 25°C. Lamp circuit is independent of switch operation. For dimension drawings of lamps see Accessories & Hardware section. For neon, if the source voltage is greater than rated voltage, a ballast resistor is required. The ballast resistor calculation and more lamp detail are shown in the Supplement.

### Incandescent & Neon Lamps for Solid & Design Caps

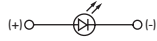
| AT602 Incandescent   | AT602N Neon              |  | 06    | 12            | 18     | 24     | 28     | N      |         |                |
|--|--------------------------|--|-------|---------------|--------|--------|--------|--------|---------|----------------|
| <br>   | T-1 1/2 Pilot Slide Base | Voltage  | V     | 6V AC         | 12V AC | 18V AC | 24V AC | 28V AC | 110V AC |                |
|  |                          | Current  | I     | 80mA          | 50mA   | 35mA   | 25mA   | 22mA   | 1.5mA   |                |
|  |                          | MSCP   |       | .159          | .215   | .398   | .215   | .247   | NA      |                |
|  |                          | Endurance  | Hours | 2,000 Average |        |        |        |        |         | 15,000 Average |
|  |                          | Ambient Temperature Range  |       | -10°C ~ +50°C |        |        |        |        |         | -10°C ~ +50°C  |
|  |                          | Recommended Resistor for Neon: 33K ohms for 110V AC; 100K ohms for 220V AC |       |               |        |        |        |        |         |                |
| <div style="border: 1px solid black; padding: 2px; display: inline-block;">00</div> <b>No Lamp</b> Code 00 indicates that no lamp is used. |                          |  |       |               |        |        |        |        |         |                |

Toggles  
 Rockers  
 Pushbuttons  
 Illuminated PB  
 Programmable  
 Keylocks  
 Rotaries  
 Slides  
 Tactiles  
 Tilt  
 Touch  
 Indicators  
 Accessories  
 Supplement

## LED COLOR CODES & SPECIFICATIONS

### Single Element LED

| AT622 LED                         | Resistor value calculation is shown in the Supplement. | Color         | <b>C</b> Red            | <b>E</b> Yellow | <b>F</b> Green |
|-----------------------------------|--|---------------|-------------------------|-----------------|----------------|
|                                   |  |               | Maximum Forward Current | $I_{FM}$        | 30mA           |
| Typical Forward Current           | $I_F$  | 20mA          | 20mA                    | 20mA            |                |
| Forward Voltage                   | $V_F$  | 1.85V         | 2.0V                    | 2.1V            |                |
| Maximum Reverse Voltage           | $V_{RM}$   | 5V            | 5V                      | 5V              |                |
| Current Reduction Rate Above 25°C | $\Delta I_F$   | 0.40mA/°C     | 0.40mA/°C               | 0.40mA/°C       |                |
| T-1¼ Pilot Slide Base             | Ambient Temperature Range                              | -10°C ~ +50°C |                         |                 |                |

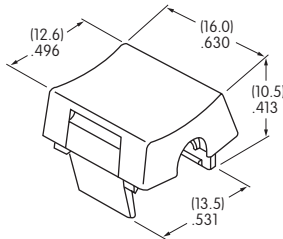


## CAP TYPES & COLORS

### For Incandescent or Neon Lamps

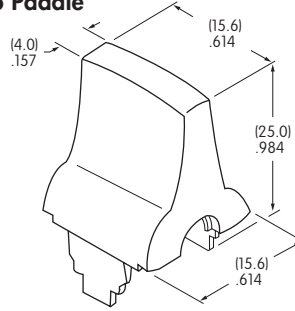
#### RA AT405 Rocker

- RB** **RE**
- RC** **RF**
- RD** **RG**



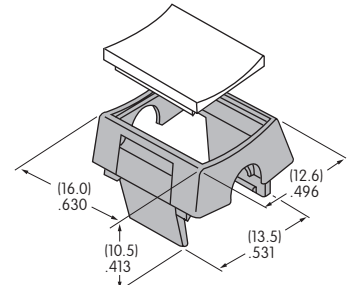
#### PA AT426 Paddle

- PB** **PE**
- PC** **PF**
- PD** **PG**



#### DB AT438 Design Rocker

- DC**
- DD**
- DF**
- DG**



Material: Translucent Polycarbonate Standard Finish: Glossy  
Black Rocker/Paddle not for use with lamp

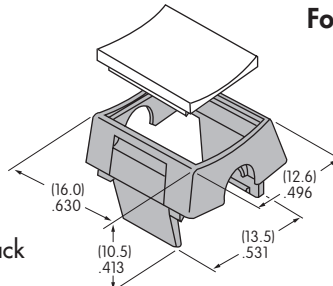
Translucent Colored Filter  
Opaque Black Rocker Base

### For LED

#### LB AT4125 LED Rocker

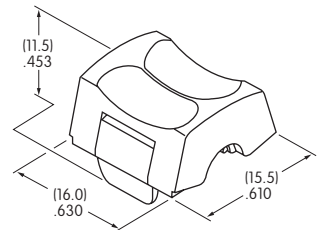
- LC**
- LE**
- LF**

Translucent Colored Diffuser  
and Opaque Black  
Rocker Base



#### SB AT4127 Sculptured Rocker

- SC**
- SE**
- SF**



Material: Translucent Polycarbonate Standard Finish: Glossy

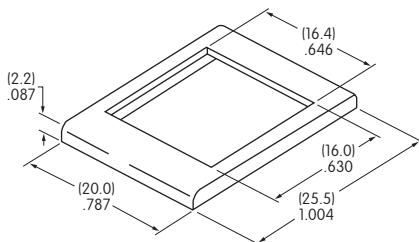
Color Codes:

- A** Black
- B** White
- C** Red
- D** Orange
- E** Yellow
- F** Green
- G** Blue

## OPTIONAL BEZELS

### AT204 Standard Bezel .787" (20.0mm) Wide

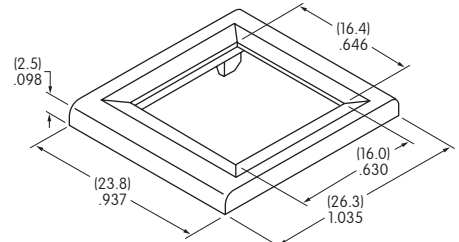
- 1A** **1E**
- 1B** **1F**
- 1C** **1G**
- 1D** **1H**



Material: Polycarbonate Standard Finish: Glossy

### AT9201 Large Bezel .937" (23.8mm) Wide

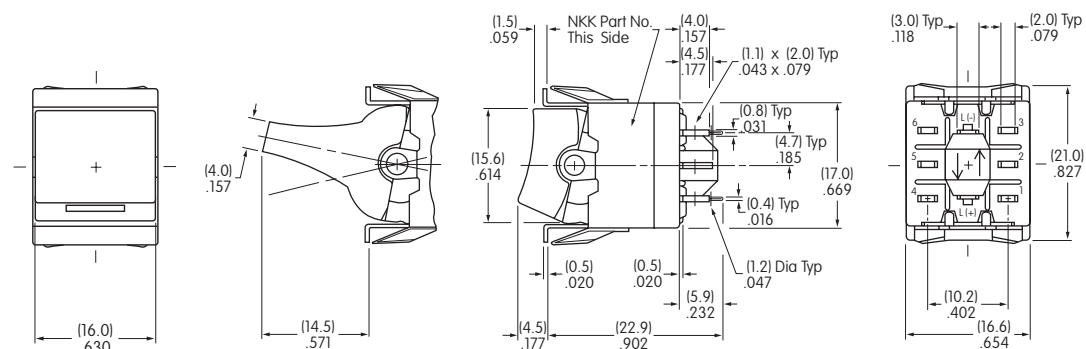
- 2A** **2E**
- 2B** **2F**
- 2C** **2G**
- 2D** **2H**



Material: Polycarbonate Standard Finish: Glossy

Toggles  
Rockers  
Pushbuttons  
Illuminated PB  
Programmable  
Keylocks  
Rotaries  
Slides  
Tactiles  
Tilt  
Touch  
Indicators  
Accessories  
Supplement

## TYPICAL SWITCH DIMENSIONS



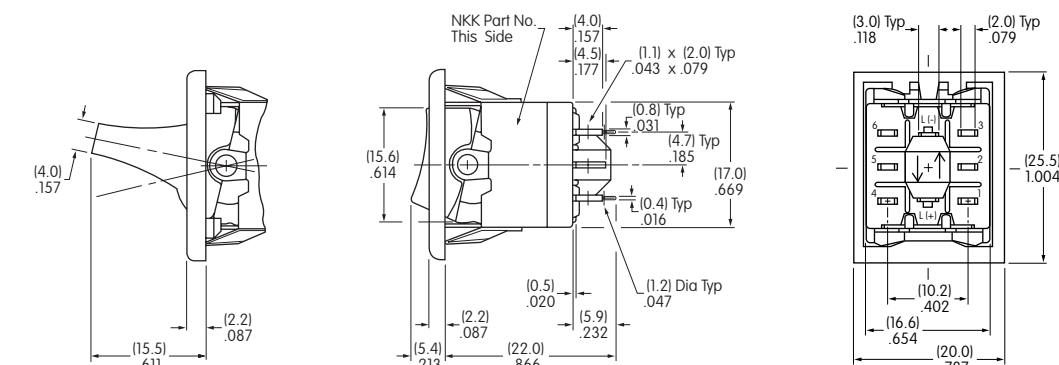
Actuator in UP position

Terminals 4, 5, & 6 are not on single pole models

Without Bezel  
Single & Double Pole



MLW3022-12-PC



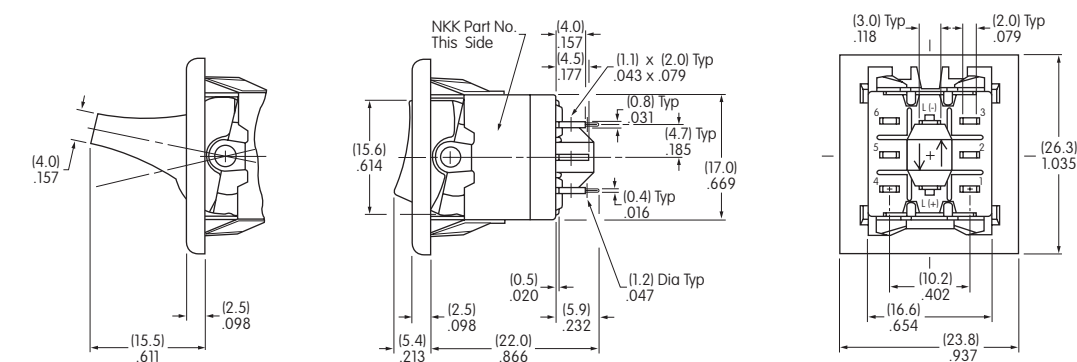
Actuator in UP position

Terminals 4, 5, & 6 are not on single pole models

Standard Bezel  
Single & Double Pole



MLW3022-12-RC-1A



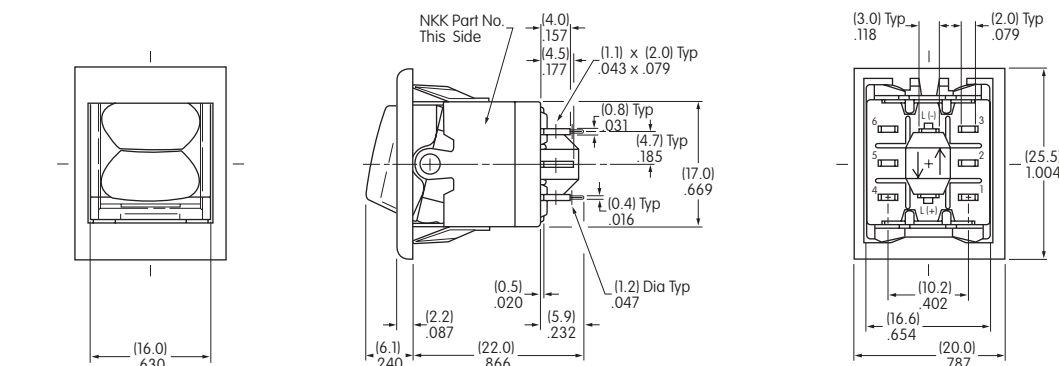
Actuator in UP position

Terminals 4, 5, & 6 are not on single pole models

Large Bezel  
Single & Double Pole



MLW3022-12-PC-2A



Actuator in UP position

Terminals 4, 5, & 6 are not on single pole models

Sculptured Cap  
Single & Double Pole



MLW3022-C-SC-1A

### PANEL CUTOUTS & THICKNESSES



Without Bezel  
.039" ~ .157" (1.0mm ~ 4.0mm)



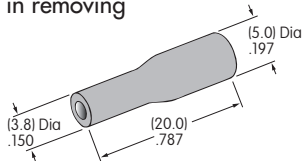
With Standard Bezel AT204  
.039" ~ .118" (1.0mm ~ 3.0mm)



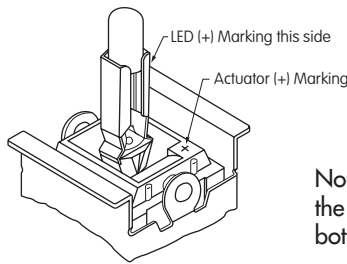
With Large Bezel AT9201  
.039" ~ .118" (1.0mm ~ 3.0mm)

### INSTALLATION & MAINTENANCE

Lamps and LEDs can be changed without removing the switch from the panel. The lamp extractor AT107 assists in removing lamps and LEDs.



**AT107**  
Lamp Extractor



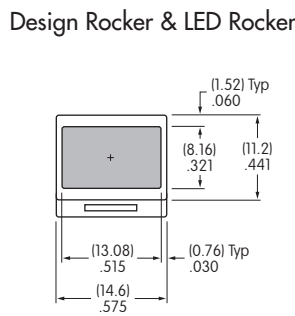
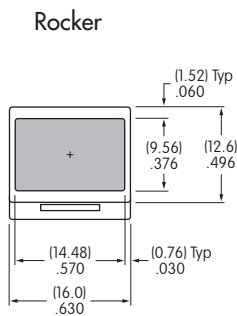
Note: When changing LEDs, match the positive polarity markings on both lamp base and actuator block.

### LEGENDS

NKK Switches can provide custom legends for caps. Contact factory for more information.



**Recommended Print Method:**  
Pad Print  
Epoxy based ink is recommended



Shaded areas are printable areas.

## X-ON Electronics

Largest Supplier of Electrical and Electronic Components

*Click to view similar products for [Rocker Switches](#) category:*

*Click to view products by [NKK Switches](#) manufacturer:*

Other Similar products are found below :

[VKD2GHNB-00000-000](#) [VSD2GNNB-00000-000](#) [6-1571986-5](#) [6-1571986-9](#) [632422-4B-KD](#) [7036WWCDBX653+U622](#) [8055K52Z7V](#)  
[8138K20E6M50](#) [FMC18A2200002](#) [84206L](#) [84312LX](#) [PREDD4-07F-BB0FW](#) [PREDD5-07F-BB0GW](#) [PRFDD1-16F-BB000](#) [PRFDD3-16F-](#)  
[BB000](#) [1-1634201-0](#) [999-16702-001](#) [A101J2ZQ004](#) [A101J4ZQ004](#) [A101J51CB0004](#) [A107J51ZQ0004](#) [A201J1AQ004](#) [A201J1AV2Q004](#)  
[A201J3ZB004](#) [A201J50ZQ004](#) [A203J51ZQ0004](#) [A226L11YZQ](#) [A22L11A](#) [A435S1YZQ](#) [H8500XBBBBL-A](#) [H8653VBBG2577W](#)  
[HB130CHNWWNAAC](#) [1251.0303](#) [AE205J60V3B004](#) [RH110C2NBB](#) [1352.0107](#) [1363.0201](#) [AML25GBF2AA03GR](#) [1571099-3](#) [1571987-4](#)  
[1571987-5](#) [1571989-7](#) [B123J77V7B2](#) [B226J50W4Q22P](#) [B433J37ZQ22M](#) [160212E](#) [1801.1164](#) [1831.1102](#) [1833.3402](#) [1837.1118](#)