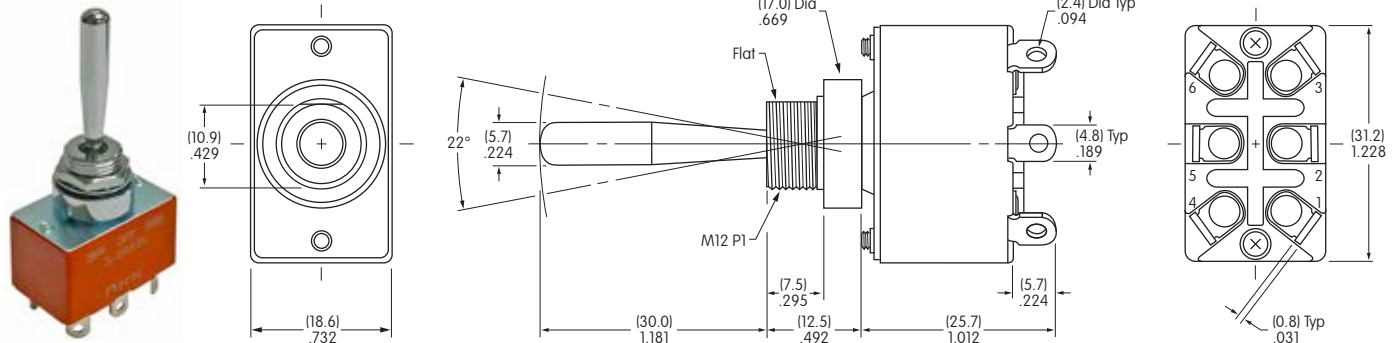


S28AW30

Bushing Mount • Double Pole • Solder Lug

Dimensions in mm/inch

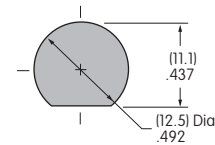


BASE SWITCH

PANEL CUTOUT

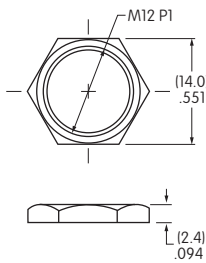
Part Number  
**S28AW**

Maximum Panel Thickness:  
.158" (4.0mm) Maximum



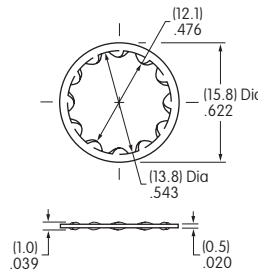
STANDARD HARDWARE

Hexagon Face Nut



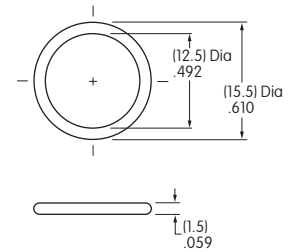
1 included with each switch  
Material: Brass with tin-cobalt alloy plating

Internal Tooth Lockwasher



1 included with each switch  
Material: Phosphor bronze with chrome plating

AT537 O-ring



1 included with each switch  
Material: Nitrile butadiene rubber

POLE & CIRCUIT

		Toggle Position/ Connected Terminals ( ) = Momentary			Throw & Schematics	
Pole	Model	Down	Center	Up		
DP	S28AW	(ON)	OFF	(ON)	Note: Terminal numbers are actually on the switch. 	

CONTACT MATERIALS & RATINGS

Silver over Silver

Power Level

15A @ 125V AC & 6A @ 250V AC

# Base Switch Specifications

## Electrical Capacity (Resistive & Inductive Load)

**Power Level:** 15A @ 125V AC & 6A @ 250V AC; 20A @ 30V DC

## Other Ratings

**Contact Resistance:** 10 milliohms maximum  
**Insulation Resistance:** 1,000 megohms minimum @ 500V DC  
**Dielectric Strength:** 2,000V AC minimum for 1 minute minimum  
**Mechanical Life:** 30,000 operations minimum  
**Electrical Life:** 25,000 operations minimum  
**Angle of Throw:** 22°

## Materials & Finishes

**Toggle:** Brass with chrome plating  
**Bushing:** Brass with chrome plating  
**Case:** Phenolic resin  
**Case Cover:** Steel with zinc plating  
**Movable Contactor:** Copper with silver plating  
**Movable Contacts:** Silver alloy capped on copper with silver plating  
**Stationary Contacts:** Silver alloy capped on copper with silver plating  
**Terminals:** Brass with tin plating

## Environmental Data

**Operating Temperature Range:** -30°C through +70°C (-22°F through +158°F)  
**Front Panel Sealing:** IP67 of IEC 60529, dust tight & water protected during temporary immersion

## Installation

**Mounting Torque:** 1.47Nm (13 lb•in) for single nut  
**Soldering Time & Temperature:** Manual Soldering: 390°C maximum for 4 seconds maximum, 2 cycles

## X-ON Electronics

Largest Supplier of Electrical and Electronic Components

*Click to view similar products for [Toggle Switches](#) category:*

*Click to view products by [NKK Switches](#) manufacturer:*

Other Similar products are found below :

[8928K478](#) [8951K2998](#) [8951K3310](#) [8956K1283](#) [8956K1285](#) [8956K1286](#) [8956K1287](#) [8961K155](#) [8A1-C-222](#) [020017-13](#) [0090-0001](#) [0121-0015](#) [CS115W](#) [CS120W](#) [CS215I](#) [CS8275](#) [637H/25](#) [7101SPDV30BE](#) [7103SDV30BE](#) [7105D](#) [7108P3YAV2BE](#) [71YY50282](#) [7209SY9AQE](#) [7209SYCBE](#) [7301K38](#) [7301SS24484](#) [7303KZQE](#) [7306K36](#) [7503K21](#) [7565K6](#) [7595K6](#) [7660K12](#) [7691K14](#) [7704K3](#) [8391K108](#) [8825K5](#) [8828K13](#) [8835K3](#) [8858K44](#) [8E4011](#) [1202W](#) [A201SCWZB04](#) [A207SYCB04](#) [A208J61ZQ0004](#) [A221T1TCQ](#) [A323S1CWZQ](#) [1201W](#) [1203W](#) [12156AX408](#) [1221W](#)