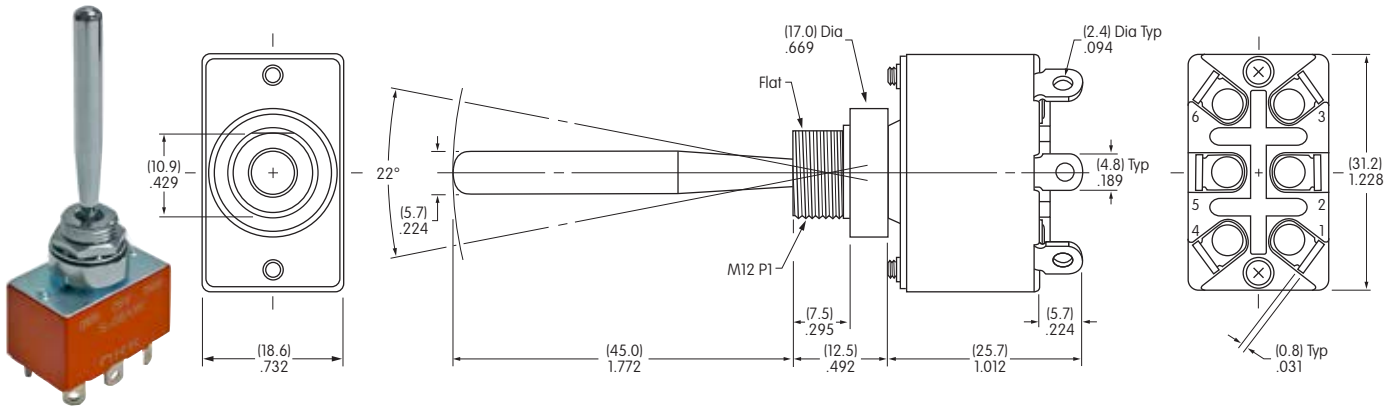


S28AW45

Bushing Mount • Double Pole • Solder Lug

Dimensions in mm/inch

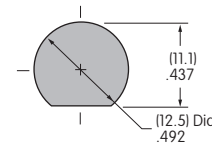


BASE SWITCH

PANEL CUTOUT

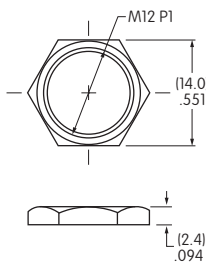
Part Number
S28AW

Maximum Panel Thickness:
.158" (4.0mm) Maximum



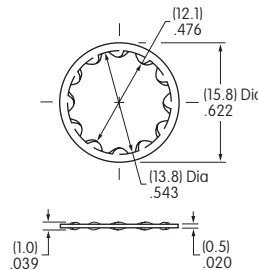
STANDARD HARDWARE

Hexagon Face Nut



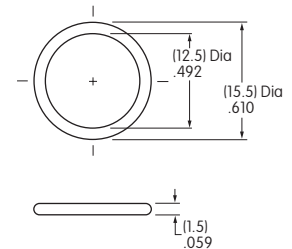
1 included with each switch
Material: Brass with tin-cobalt alloy plating

Internal Tooth Lockwasher



1 included with each switch
Material: Phosphor bronze with chrome plating

AT537 O-ring



1 included with each switch
Material: Nitrile butadiene rubber

POLE & CIRCUIT

Pole	Model	Toggle Position/ Connected Terminals () = Momentary			Throw & Schematics
		Down	Center	Up	
DP	S28AW	(ON) 	OFF 	(ON) 	Note: Terminal numbers are actually on the switch.

CONTACT MATERIALS & RATINGS

Silver over Silver

Power Level

15A @ 125V AC & 6A @ 250V AC

Base Switch Specifications

Electrical Capacity (Resistive & Inductive Load)

Power Level: 15A @ 125V AC & 6A @ 250V AC; 20A @ 30V DC

Other Ratings

Contact Resistance: 10 milliohms maximum
Insulation Resistance: 1,000 megohms minimum @ 500V DC
Dielectric Strength: 2,000V AC minimum for 1 minute minimum
Mechanical Life: 30,000 operations minimum
Electrical Life: 25,000 operations minimum
Angle of Throw: 22°

Materials & Finishes

Toggle: Brass with chrome plating
Bushing: Brass with chrome plating
Case: Phenolic resin
Case Cover: Steel with zinc plating
Movable Contactor: Copper with silver plating
Movable Contacts: Silver alloy capped on copper with silver plating
Stationary Contacts: Silver alloy capped on copper with silver plating
Terminals: Brass with tin plating

Environmental Data

Operating Temperature Range: -30°C through +70°C (-22°F through +158°F)
Front Panel Sealing: IP67 of IEC 60529, dust tight & water protected during temporary immersion

Installation

Mounting Torque: 1.47Nm (13 lb•in) for single nut
Soldering Time & Temperature: Manual Soldering: 390°C maximum for 4 seconds maximum, 2 cycles

X-ON Electronics

Largest Supplier of Electrical and Electronic Components

Click to view similar products for [Toggle Switches](#) category:

Click to view products by [NKK Switches](#) manufacturer:

Other Similar products are found below :

[8928K478](#) [8951K2998](#) [8951K3310](#) [8956K1283](#) [8956K1285](#) [8956K1286](#) [8956K1287](#) [8961K155](#) [8A1-C-222](#) [020017-13](#) [0090-0001](#) [0121-0015](#) [CS115W](#) [CS120W](#) [CS215I](#) [CS8275](#) [637H/25](#) [7101SPDV30BE](#) [7103SDV30BE](#) [7105D](#) [7108P3YAV2BE](#) [71YY50282](#) [7209SY9AQE](#) [7209SYCBE](#) [7301K38](#) [7301SS24484](#) [7303KZQE](#) [7306K36](#) [7503K21](#) [7565K6](#) [7595K6](#) [7660K12](#) [7691K14](#) [7704K3](#) [8391K108](#) [8825K5](#) [8828K13](#) [8835K3](#) [8858K44](#) [8E4011](#) [1202W](#) [A201SCWZB04](#) [A207SYCB04](#) [A208J61ZQ0004](#) [A221T1TCQ](#) [A323S1CWZQ](#) [1201W](#) [1203W](#) [12156AX408](#) [1221W](#)