

General Specifications

Motor Structure: Shaded Pole Induction Motor
Motor Protection: Impedance Protection
Insulation Resistance:
 10M Ω or over with a DC500V Megger
Dielectric Withstand Voltage: AC 700V 1s
Allowable Ambient Temperature Range:
 -10°C ~ +70°C (Operating)
 -40°C ~ +70°C (Storage)
 (non-condensing environment)

Expected Life

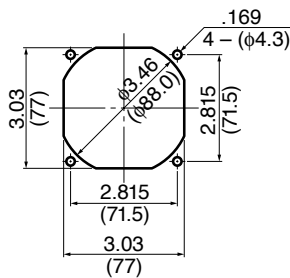
Failure Rate: 10%
 25°C 50,000 Hours

Material

Casing : Aluminum
Impeller : UL94V-O Reinforced Plastic
Bearing : Ball Bearing
Lead Wire : AWG22, UL3266, CSA CL1252
or Terminal : Faston #110 or equivalent

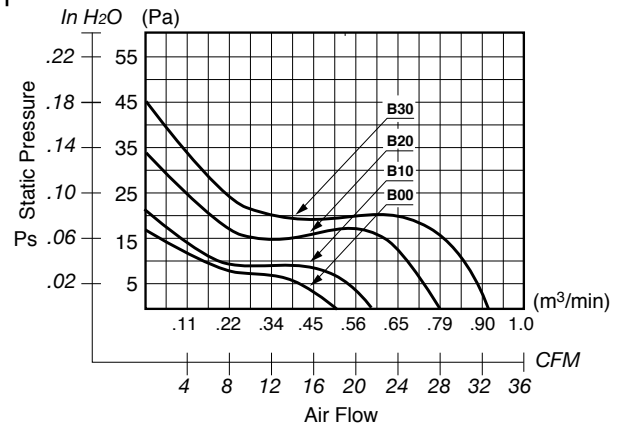
Panel Cut-Outs

Units: $\frac{\text{inch}}{\text{mm}}$

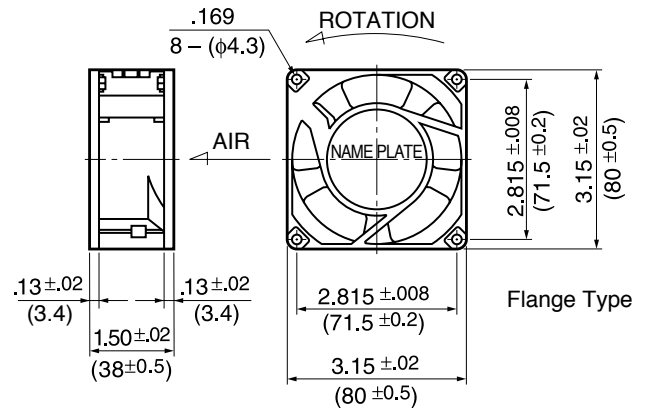


INLET SIDE / OUTLET SIDE

Characteristic Curves



Outline



Specifications

| MODEL | Rated Voltage | Frequency | Starting Voltage | Current | Input Power | Speed | Max. Air Flow | | Max. Static Pressure | | Noise | Mass |
|--------------------|---------------|-----------|------------------|-------------------|-------------------|------------------------------------|---------------|-------------------------------------|----------------------|--------------------|--------------------|------|
| | (V) | (Hz) | (V) | (A) ^{*1} | (W) ^{*1} | (min ⁻¹) ^{*1} | CFM | (m ³ /min) ^{*1} | in H ₂ O | (Pa) ^{*1} | (dB) ^{*1} | (g) |
| 3115FS-12T-B00-A00 | 115 | 60 | 75 | 0.045 | 4.0 | 1850 | 18.0 | 0.51 | .07 | 17.5 | 31 | 340 |
| 3115FS-12T-B10-A00 | 115 | 60 | 75 | 0.087 | 6.5 | 2100 | 22.0 | 0.62 | .09 | 22.5 | 36 | 340 |
| 3115FS-12T-B20-A00 | 115 | 60 | 75 | 0.090 | 7.5 | 2700 | 27.0 | 0.76 | .13 | 32.5 | 40 | 340 |
| 3115FS-12T-B30-A00 | 115 | 60 | 75 | 0.100 | 8.5 | 3250 | 32.0 | 0.90 | .18 | 45.0 | 44 | 340 |
| 3115FS-23T-B10-A00 | 230 | 60 | 175 | 0.050 | 6.5 | 2050 | 20.0 | 0.57 | .09 | 22.5 | 35 | 340 |
| 3115FS-23T-B20-A00 | 230 | 60 | 175 | 0.060 | 7.5 | 2750 | 28.0 | 0.79 | .13 | 32.5 | 40 | 340 |
| 3115FS-23T-B30-A00 | 230 | 60 | 175 | 0.065 | 8.0 | 3250 | 33.0 | 0.93 | .18 | 45.0 | 44 | 340 |

Rotation: Counterclockwise

Airflow Outlet: Air In Over Struts

*1: Maximum Values in Free Air

*2: Average Values in Free Air

*3: Minimum Values in Free Air

X-ON Electronics

Largest Supplier of Electrical and Electronic Components

Click to view similar products for [AC Fans](#) category:

Click to view products by [NMB Technologies](#) manufacturer:

Other Similar products are found below :

[M2E068-DF13-79](#) [F1238H24B-FHR](#) [8850A](#) [G9225S05B2-FSR](#) [A2D200-AA04-41](#) [A2E165-AA17-01](#) [R2D140-AB02-14](#) [R4D310-AS18-01](#)
[R4D400-AD22-06](#) [R4E180-AS11-09](#) [AD0912HB-A7BGL](#) [1500-FAN-01](#) [25.001.1856.0](#) [25.320.1153.1](#) [25.320.1353.1](#) [25.320.4753.1](#)
[25.320.5453.1](#) [25.330.1353.1](#) [25.330.4853.1](#) [25.330.5153.1](#) [25.330.5353.1](#) [25.340.1053.1](#) [25.350.5253.0](#) [25.600.4053.0](#) [272DL-2LP11-000](#)
[S2E250-AL06-70](#) [A2D210-AB10-05](#) [A2D240-AA02-02](#) [A2D250-AE22-06](#) [A2E170-AF23-01](#) [F1238S24BT-FSR](#) [25.000.1856.0](#)
[25.000.2056.0](#) [25.010.1856.0](#) [25.220.3953.1](#) [25.332.2453.1](#) [25.340.0453.1](#) [25.345.5353.0](#) [25.352.1853.0](#) [281DS-2LP11-000B](#) [281DY-](#)
[1LP14-000B](#) [298DM-2LP11-000](#) [298DS-2LP11-000A](#) [R2S150-AD08-09](#) [344DY-1LP11-000](#) [D2E146-CD51-09](#) [39.703.0253.0](#)
[USTF1203224VHW](#) [3915100996-SA3](#) [3G2C7MC224](#)