



General Specifications

Motor Protection:

Auto Restart/Polarity Protection

Insulation Resistance: 10M Ω or over with a DC500V Megger

Dielectric Withstand Voltage: AC 700V 1s

Allowable Ambient Temperature Range:

-10°C ~ +70°C (Operating)

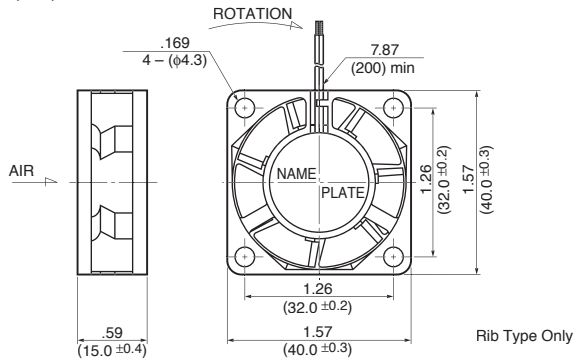
-40°C ~ +70°C (Storage)

(non-condensing environment)

For New Designs we Recommend
New Sleeve Bearing Fan Series
04015SS

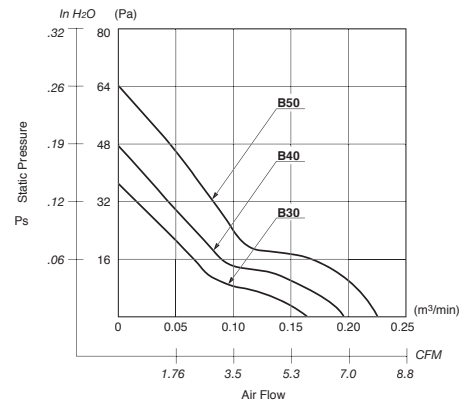
Outline

Units: $\frac{\text{inch}}{\text{mm}}$

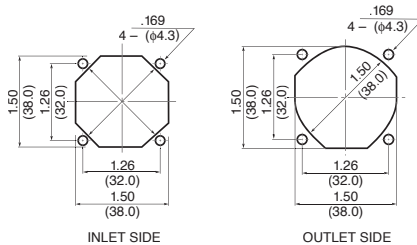


Rib Type Only

Characteristic Curves



Panel Cut-outs



INLET SIDE

OUTLET SIDE

Material

Casing : Plastic (Black) 94V-0

Impeller : Plastic (Black) 94V-0

Bearing : Ball Bearing

Lead Wire: UL1061, AWG26, +Red, -Black

Specifications

MODEL	Product No.	Rated Voltage	Operating Voltage	Current	Input Power	Speed	Max. Air Flow		Max. Static Pressure		Noise	Mass
		(V)	(V)	(A) ^{*1}	(W) ^{*1}	(min ⁻¹) ^{*1}	CFM ^{*1}	(m ³ /min) ^{*1}	in H ₂ O	(Pa) ^{*1}	(dB) ^{*1}	(g)
1606KL-01W-B30-	X00	5	4.5 ~ 5.5	0.120	0.600	6000	6.0	0.17	.145	36.3	28.0	20
1606KL-01W-B40-	X00	5	4.5 ~ 5.5	0.150	0.750	7000	7.0	0.20	.188	47.1	31.0	20
1606KL-01W-B50-	X00	5	4.5 ~ 5.5	0.240	1.200	8000	8.1	0.23	.250	62.8	34.0	20
1606KL-04W-B30-	X00	12	10.2 ~ 13.8	0.067	0.804	6000	6.0	0.17	.145	36.3	28.0	20
1606KL-04W-B40-	X00	12	10.2 ~ 13.8	0.075	0.900	7000	7.0	0.20	.188	47.1	31.0	20
1606KL-04W-B50-	X00	12	10.2 ~ 13.8	0.085	1.020	8000	8.1	0.23	.250	62.8	34.0	20
1606KL-05W-B30-	X00	24	22.0 ~ 25.2	0.045	1.080	6000	6.0	0.17	.145	36.3	28.0	20
1606KL-05W-B40-	X00	24	22.0 ~ 25.2	0.054	1.296	7000	7.0	0.20	.188	47.1	31.0	20
1606KL-05W-B50-	X00	24	22.0 ~ 25.2	0.062	1.488	8000	8.1	0.23	.250	62.8	34.0	20

Rotation: Clockwise

Airflow Outlet: Air Out Over Struts

*1: Average Values in Free Air

X-ON Electronics

Largest Supplier of Electrical and Electronic Components

Click to view similar products for [nmb technologies](#) manufacturer:

Other Similar products are found below :

[F250A5-072-D0520](#) [FBA12G12U1A](#) [3610KL-04W-B10-E00](#) [3610SB-05W-B50-B00](#) [3610PS-12W-B30-A00](#) [1004KL-01W-B50-B00](#)
[17250VA-48R-GA-00](#) [3115FS-23T-B20-A00](#) [3110KL-05W-B60-D00](#) [09232JE-12M-BA-F0](#) [3115FS-12T-B20-A00](#) [12537JE-12P-BA-F0](#)
[4715MS-12W-B1A-A00](#) [12032GA-12N-AA-00](#) [4715KL-05W-B19-E50](#) [12038VA-24P-EA-00](#) [3615KL-05W-B59-P50](#) [3610SB-05W-B30-B00](#) [08038PB-A1L-EA-00](#) [08038PB-B3L-EA-00](#) [3115FS-12W-B20-A00](#) [3110RL-05W-B70-C00](#) [BM5115-04W-B50-L00](#) [3610VL-05W-B50-B00](#) [4710KL-05W-B49-E00](#) [17PM-K455-00VS](#) [4710KL-05W-B10-E00](#) [R150A3-051-D0790](#) [R172A0-051-D0790](#) [4715FS-12T-B00-D00](#) [08025SA-12M-EA-00](#) [1608KL-01W-B10-L00](#) [08025DA-12P-AA-00](#) [11925PB-B3L-EA-00](#) [3106KL-04W-B40-C00](#) [4715TS-23T-B5A-A00](#) [4712KL-07W-B40-P00](#) [15038PB-A1L-EP-00](#) [3115PS-23W-B30-A00](#) [R200A0-051-D0760](#) [3612KL-05W-B50-B00](#) [3610KL-04W-B50-D00](#) [5920PL-04W-B40-D00](#) [14539GA-12N-AA-00](#) [4712KL-04W-B50-P00](#) [2410ML-04W-B69-E50](#) [3610KL-05W-B40-B00](#) [4715FS-23T-B20-D00](#) [4715TS-20W-B50-BM0](#) [4715FS-23W-B5A-D00](#)