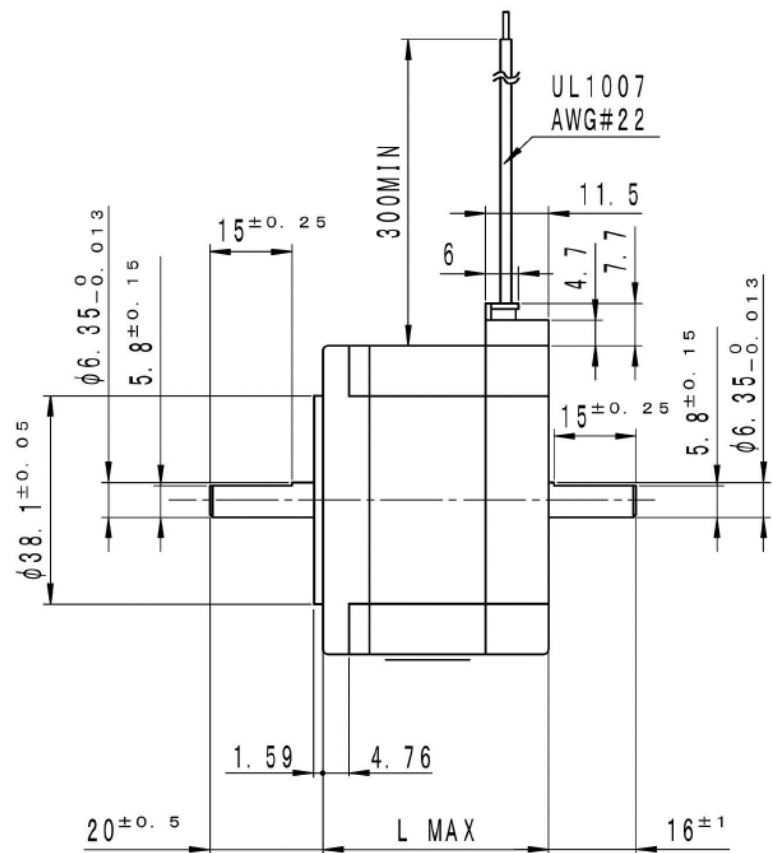
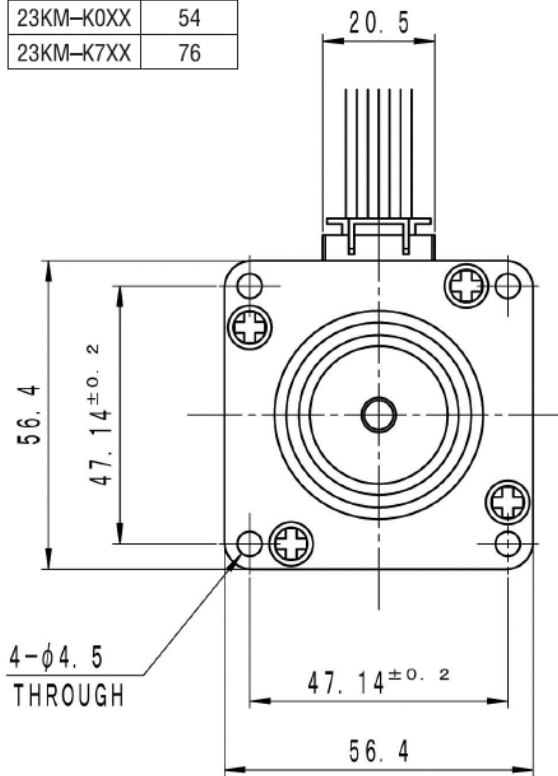


Standard Hybrid Step Motors

23KM-K

23KM-KXXX (56□ 1.8°)

Model	Length	UNIT:mm
23KM-K2XX	42	
23KM-K0XX	54	
23KM-K7XX	76	

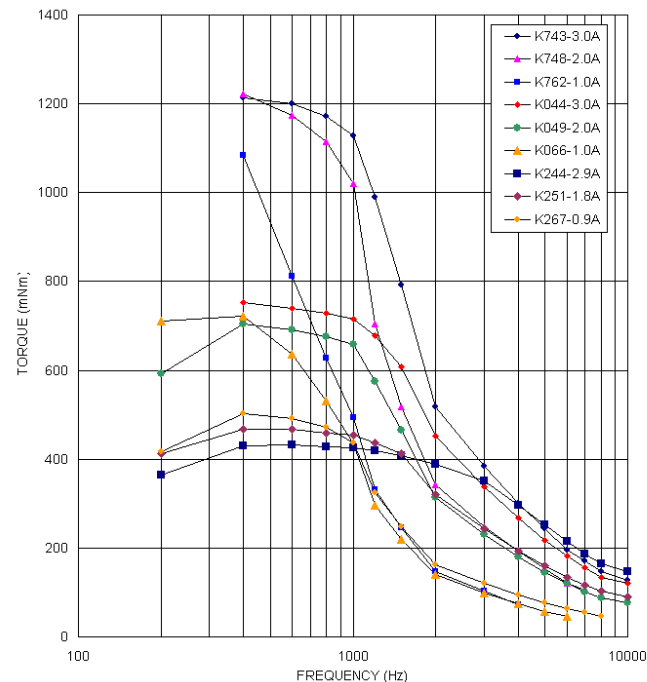


23KM-K

Part Number	Motor Size [mm]	Step Angle [deg]	Rated Current [A]	Resistance [Ohms]	Holding Torque [mNm]	Mass [g]
23KM-K267-00V/99V	56 ~ 42	1.8	0.9	5.8	480	470
23KM-K251-00V/99V	56 ~ 42	1.8	1.8	1.5	480	470
23KM-K244-00V/99V	56 ~ 42	1.8	2.9	0.6	480	470
23KM-K066-00V/99V	56 ~ 54	1.8	1	7	900	680
23KM-K049-00V/99V	56 ~ 54	1.8	2	1.7	900	680
23KM-K044-00V/99V	56 ~ 54	1.8	3	0.85	900	680
23KM-K762-00V/99V	56 ~ 76	1.8	1	8.6	1,400	1,050
23KM-K748-00V/99V	56 ~ 76	1.8	2	2.3	1,400	1,050
23KM-K743-00V/99V	56 ~ 76	1.8	3	1.1	1,400	1,050

Model No : 23KM-K267U,K251U,K244U,K066U,K049U,K044U,
K762U,K748U,K743U

Driver : Chopper Dual
Supply Voltage : 24.0 (volt)



X-ON Electronics

Largest Supplier of Electrical and Electronic Components

Click to view similar products for [Stepper Motors](#) category:

Click to view products by [NMB Technologies](#) manufacturer:

Other Similar products are found below :

[HT17-275](#) [5014-020](#) [HT17-271D](#) [HT23-596](#) [HT23-597](#) [82924041](#) [82924036](#) [82924049](#) [82914016](#) [HT08-221](#) [STEPPER MOTOR WITH 28CM LEAD SCREW](#) [MS11HS3P4067-09RL](#) [ML23HS8P4150-09RL](#) [MS17HD6P4200-24RL](#) [MS11HS5P4150-13RL](#) [MS08HY1P4050-09RL](#) [MS08HY3P4050-02RL](#) [ML24HCAL3550-01RL](#) [MS17HD6P4100-16RL](#) [ML23HS8P4220-16RL](#) [MS17HD2P4200-20RL](#) [ML23HSAL4500-E](#) [ML23HS4P4150-06RL](#) [MS14HS5P4100-03RL](#) [MS17HD2P4100-27RL](#) [MS14HS1P4100-09RL](#) [ML34HD2L8500-01RL](#) [MS11HS1P4100-25RL](#) [ML23HSAP4150-04RL](#) [ML23HSAP4300-18RL](#) [ML23HS4P4100-02RL](#) [PL23HS8L4550-05RL](#) [PL23HSAL4500-05RL](#) [MS17HD4P4150-22RL](#) [HT23-598D-ZAA](#) [82930002](#) [HT34-504](#) [PD57-2-1378-TMCL](#) [HT17-268D-CAA](#) [103H8223-5141](#) [103H7126-5840](#) [SANYO MINIATURE STEPPER MOTOR](#) [STEPPER MOTOR: UNIPOLAR/BIPOLAR 57Å—56MM](#) [PM25S-048-HHC4](#) [NSANYO PANCAKE STEPPER MOTOR: BIPOLAR 42×](#) [SP2563-5160](#) [FIT0278](#) [FIT0349](#) [FIT0503](#) [HT34-478](#)