

# 3110RL (80<sup>□</sup>x25<sup>L</sup>)



EMINEBEA.COM

**No Longer Available. Recommend 3110KL**

## General Specifications

### Motor Protection:

Automatic Restoration/Reverse  
Connection Prevention

**Insulation Resistance:** 10M Ω or over with a DC500V Megger

**Dielectric Withstand Voltage:** AC 700V 1s

### Allowable Ambient Temperature Range:

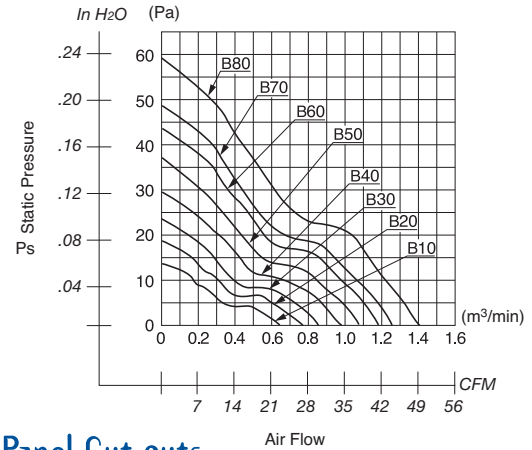
B80 Class: -10°C ~ +50°C (Operating)  
B60, B70 Class: -10°C ~ +60°C (Operating)  
B10~B50 Class: -10°C ~ +70°C (Operating)  
All Class: -40°C ~ +70°C (Storage)  
(non-condensing environment)

## Expected Life

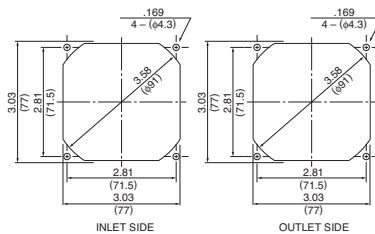
**Failure Rate: 10%**

25°C 60,000 Hours (F00)

## Characteristic Curves



## Panel Cut-outs

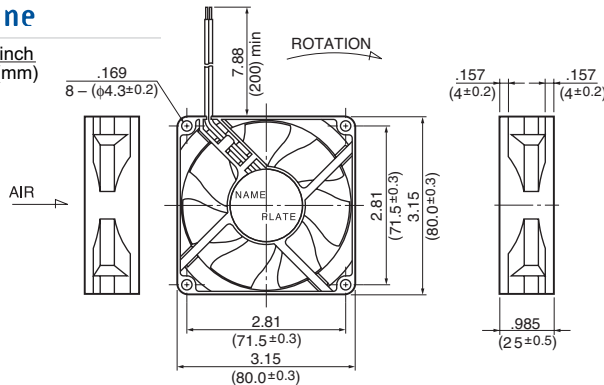


## Material

Casing : Plastic (Black) 94V-0  
Impeller : Plastic (Black) 94V-0  
Bearing : Ball Bearing  
Lead Wire : UL1007, AWG24, +Red, -Black

## Outline

Units:  $\frac{\text{inch}}{\text{mm}}$



## Specifications

MODEL	Product No.	Rated Voltage	Operating Voltage	Current	Input Power	Speed	Max. Air Flow		Max. Static Pressure		Noise	Mass
		(V)	(V)	(A) <sup>*1</sup>	(W) <sup>*1</sup>	(min) <sup>-1</sup>	CFM <sup>*1</sup>	(m <sup>3</sup> /min) <sup>*1</sup>	in H <sub>2</sub> O	(Pa) <sup>*1</sup>	(dB) <sup>*1</sup>	(g)
3110RL-04W-B10-	X00	12	6.0 ~ 13.8	0.07	0.84	1900	24.01	0.68	.05	14.2	22.0	80
3110RL-04W-B20-	X00	12	6.0 ~ 13.8	0.10	1.20	2150	27.54	0.78	.07	19.5	24.5	80
3110RL-04W-B30-	X00	12	6.0 ~ 13.8	0.13	1.56	2400	31.07	0.88	.09	24.3	27.0	80
3110RL-04W-B40-	X00	12	6.0 ~ 13.8	0.19	2.28	2700	34.96	0.99	.12	30.5	30.0	80
3110RL-04W-B50-	X00	12	6.0 ~ 13.8	0.25	3.00	2950	38.49	1.09	.14	36.6	32.5	80
3110RL-04W-B60-	X00	12	6.0 ~ 13.8	0.34	4.08	3250	42.37	1.20	.18	44.7	35.0	80
3110RL-04W-B70-	X00	12	6.0 ~ 13.8	0.34	4.08	3400	44.49	1.26	.19	48.6	36.0	80
3110RL-04W-B80-	X00	12	6.0 ~ 13.0	0.50	6.00	3800	50.14	1.42	.24	60.0	39.0	80
3110RL-05W-B10-	X00	24	10.0 ~ 27.6	0.04	0.96	1900	24.01	0.68	.05	14.2	22.0	80
3110RL-05W-B20-	X00	24	10.0 ~ 27.6	0.06	1.44	2150	27.54	0.78	.07	19.5	24.5	80
3110RL-05W-B30-	X00	24	10.0 ~ 27.6	0.07	1.68	2400	31.07	0.88	.09	24.3	27.0	80
3110RL-05W-B40-	X00	24	10.0 ~ 27.6	0.09	2.16	2700	34.96	0.99	.12	30.5	30.0	80
3110RL-05W-B50-	X00	24	10.0 ~ 27.6	0.14	3.36	2950	38.49	1.09	.14	36.6	32.5	80
3110RL-05W-B60-	X00	24	10.0 ~ 27.6	0.16	3.84	3250	42.37	1.20	.18	44.7	35.0	80
3110RL-05W-B70-	X00	24	10.0 ~ 27.6	0.18	4.32	3400	44.49	1.26	.19	48.6	36.0	80
3110RL-05W-B80-	X00	24	10.0 ~ 27.6	0.23	5.52	3800	50.14	1.42	.24	60.0	39.0	80

Rotation: Clockwise

Airflow Outlet: Air Out Over Struts

\*1: Average Values in Free Air

## X-ON Electronics

Largest Supplier of Electrical and Electronic Components

*Click to view similar products for [nmb technologies](#) manufacturer:*

Other Similar products are found below :

[F250A5-072-D0520](#) [FBA12G12U1A](#) [3610KL-04W-B10-E00](#) [3610SB-05W-B50-B00](#) [3610PS-12W-B30-A00](#) [1004KL-01W-B50-B00](#)  
[17250VA-48R-GA-00](#) [3115FS-23T-B20-A00](#) [3110KL-05W-B60-D00](#) [09232JE-12M-BA-F0](#) [3110RL-04W-B70-C00](#) [3115FS-12T-B20-A00](#)  
[12537JE-12P-BA-F0](#) [4715MS-12W-B1A-A00](#) [12032GA-12N-AA-00](#) [4715KL-05W-B19-E50](#) [12038VA-24P-EA-00](#) [3615KL-05W-B59-P50](#)  
[08038PB-A1L-EA-00](#) [08038PB-B3L-EA-00](#) [3115FS-12W-B20-A00](#) [3110RL-05W-B70-C00](#) [BM5115-04W-B50-L00](#) [3610VL-05W-B50-B00](#)  
[4710KL-05W-B49-E00](#) [17PM-K455-00VS](#) [4710KL-05W-B10-E00](#) [3610SB-05W-B30-B00](#) [R150A3-051-D0790](#) [R172A0-051-D0790](#)  
[4715FS-12T-B00-D00](#) [08025SA-12M-EA-00](#) [14539GA-12N-AA-00](#) [1608KL-01W-B10-L00](#) [08025DA-12P-AA-00](#) [11925PB-B3L-EA-00](#)  
[3106KL-04W-B40-C00](#) [4715TS-23T-B5A-A00](#) [4712KL-07W-B40-P00](#) [15038PB-A1L-EP-00](#) [3115PS-23W-B30-A00](#) [1606KL-04W-B50-](#)  
[L00](#) [3612KL-05W-B50-B00](#) [3610KL-04W-B50-D00](#) [5920PL-04W-B40-D00](#) [4712KL-04W-B50-P00](#) [2410ML-04W-B69-E50](#) [3610KL-05W-](#)  
[B40-B00](#) [4715FS-23T-B20-D00](#) [4715TS-20W-B50-BM0](#)