



General Specifications

Motor Protection:

Auto Restart/Polarity Protection

Insulation Resistance:

10M Ω or over with a DC500V Megger

Dielectric Withstand Voltage: AC 700V 1s

Allowable Ambient Temperature Range:

-10°C ~ +70°C (B50~B80) (Operating)

-10°C ~ +60°C (B90) (Operating)

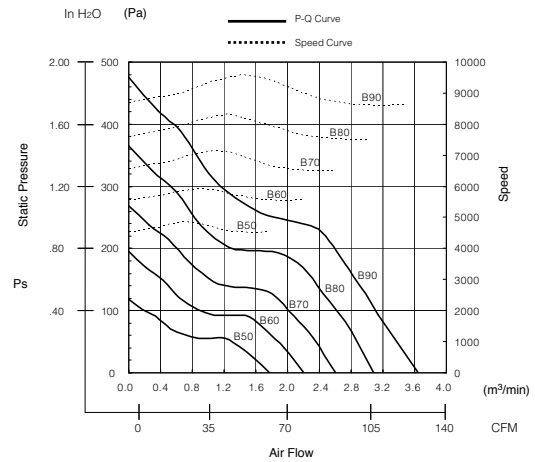
-40°C ~ +70°C (Storage)

Expected Life

Failure Rate: 10%

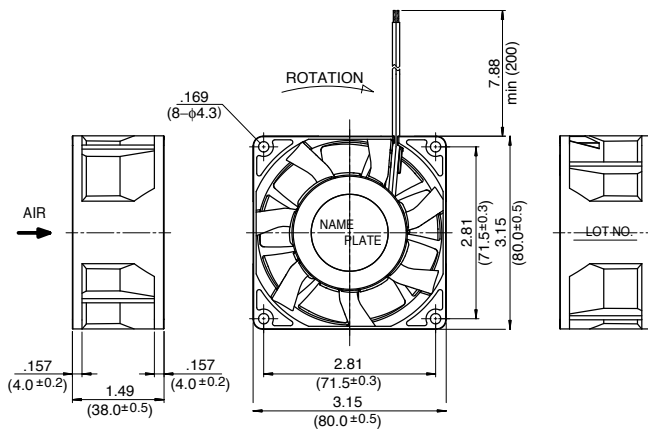
25°C 100,000 Hours (E00)

Characteristic Curves

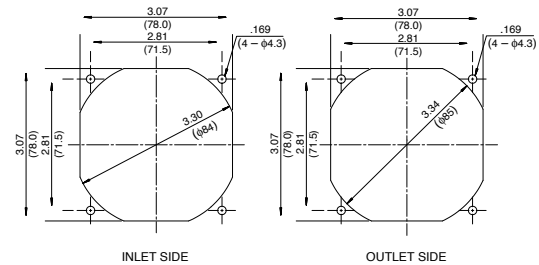


Outline

Units: $\frac{\text{inch}}{\text{mm}}$



Panel Cut-outs



Material

Casing : Plastic (Black) 94V-0

Impeller : Plastic (Black) 94V-0

Bearing : Ball Bearing

Lead Wire: UL1007, AWG24/26, +Red, -Black

Specifications

MODEL	Product No.	Rated Voltage	Operating Voltage	Current	Input Power	Speed	Max. Air Flow		Max. Static Pressure		Noise	Mass
		(V)	(V)	(A) ^{*1}	(W) ^{*1}	(min ⁻¹) ^{*1}	CFM ^{*1}	(m³/min) ^{*1}	in H ₂ O	(Pa) ^{*1}	(dB) ^{*1}	(g)
3115RL-04W-B50-	EXX	12	7 ~ 13.8	0.41	4.9	4500	61.8	1.75	0.46	115	46.0	205
3115RL-04W-B60-	EXX	12	7 ~ 13.8	0.73	8.8	5500	75.9	2.15	0.72	180	51.0	205
3115RL-04W-B70-	EXX	12	7 ~ 13.8	1.15	13.8	6500	91.8	2.60	1.04	260	56.0	205
3115RL-04W-B80-	EXX	12	7 ~ 13.2	1.75	21.0	7500	105.9	3.00	1.42	355	59.5	205
3115RL-04W-B90-	EXX	12	7 ~ 12.6	2.70	32.4	8600	123.6	3.50	1.88	470	62.5	205

Rotation: Clockwise

Airflow Outlet: Air Out Over Struts

*1: Average Values in Free Air

X-ON Electronics

Largest Supplier of Electrical and Electronic Components

Click to view similar products for NMB Technologies manufacturer:

Other Similar products are found below :

[F250A5-072-D0520](#) [BG0903-B054-00L-00](#) [FBA12G12U1A](#) [4710KL-05W-B10-E00](#) [3115PS-23W-B30-A00](#) [3610PS-12W-B30-A00](#)
[1004KL-01W-B50-B00](#) [17250VA-48R-GA-00](#) [3115FS-23T-B20-A00](#) [3110KL-05W-B60-D00](#) [4715MS-12W-B1A-A00](#) [12032GA-12N-AA-00](#) [4715KL-05W-B19-E50](#) [12038VA-24P-EA-00](#) [06025SA-24T-AA-D0](#) [08038PB-A1L-EA-00](#) [4715FS-12T-B00-D00](#) [08038PB-B3L-EA-00](#)
[3115FS-12W-B20-A00](#) [BM5115-04W-B50-L00](#) [4715VL-05W-B80-E00](#) [09225SS-12Q-AT-D0](#) [08025DA-12P-AA-00](#) [17PM-K455-00VS](#)
[2410ML-04W-B89-E50](#) [3610SB-05W-B30-B00](#) [R150A3-051-D0790](#) [R172A0-051-D0790](#) [3612KL-05W-B50-B00](#) [5915PC-23T-B20-A00](#)
[1608KL-01W-B10-L00](#) [11938KA-12L-ET-00](#) [4715TS-23T-B5A-A00](#) [4715VL-05W-B89-E00](#) [3110KL-04W-B50-E00](#) [15038PB-A1L-EP-00](#)
[4715MS-10T-B50-B00](#) [5920PL-04W-B40-D00](#) [08025SA-12M-EA-00](#) [3110KL-05W-B50-D00](#) [4712KL-04W-B50-P00](#) [3610KL-05W-B40-B00](#) [4715FS-23T-B20-D00](#) [4715TS-20W-B50-BM0](#) [4715FS-23W-B5A-D00](#) [11938MB-A1K-EA-00](#) [F175A3-062-D0550](#) [08025MB-A1L-AA-00](#) [1608KL-01W-B50-L00](#) [BM5115-04W-B30-L00](#)