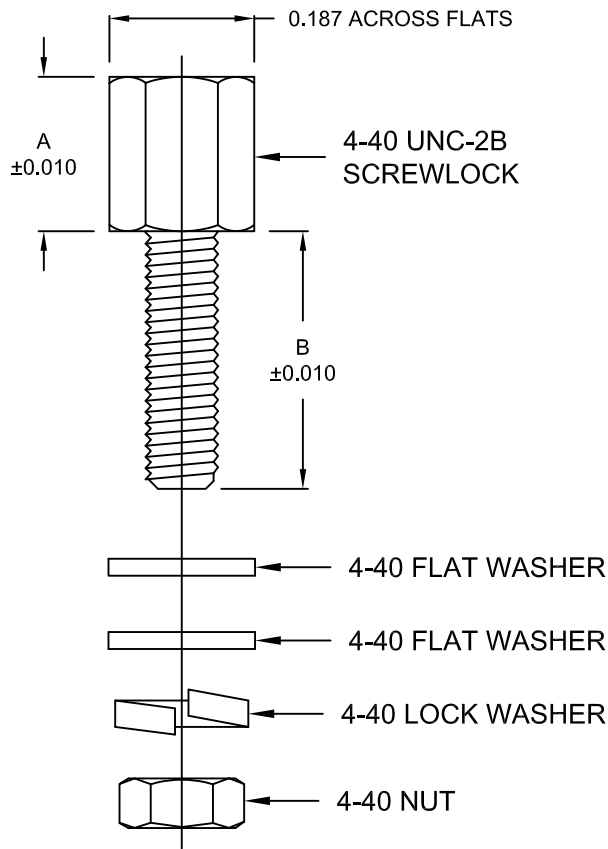


DESCRIPTION: 4-40 FEMALE SCREWLOCK



| PART NUMBER | A | B | PKG |
|-----------------|-------|-------|------|
| 160-000-010R031 | 0.187 | 0.312 | KIT |
| 160-000-010R032 | 0.187 | 0.312 | BULK |
| 160-000-011R031 | 0.187 | 0.625 | KIT |
| 160-000-011R032 | 0.187 | 0.625 | BULK |
| 160-000-012R031 | 0.250 | 0.156 | KIT |
| 160-000-012R032 | 0.250 | 0.156 | BULK |
| 160-000-013R031 | 0.197 | 0.197 | KIT |
| 160-000-013R032 | 0.197 | 0.197 | BULK |
| 160-000-014R031 | 0.197 | 0.236 | KIT |
| 160-000-014R032 | 0.197 | 0.236 | BULK |
| 160-000-015R031 | 0.197 | 0.323 | KIT |
| 160-000-015R032 | 0.197 | 0.323 | BULK |
| 160-000-016R031 | 0.197 | 0.433 | KIT |
| 160-000-016R032 | 0.197 | 0.433 | BULK |
| 160-000-017R031 | 0.197 | 0.520 | KIT |
| 160-000-017R032 | 0.197 | 0.520 | BULK |
| 160-000-018R031 | 0.197 | 0.669 | KIT |
| 160-000-018R032 | 0.197 | 0.669 | BULK |

MATERIAL

SCREWLOCK: BRASS - C3604, NICKEL PLATED
 FLAT WASHER: STEEL, NICKEL PLATED
 LOCK WASHER: STAINLESS STEEL
 NUT: STEEL, ZINC PLATED

TORQUE VALUE: 60 IN-OZ RECOMMENDED

KIT INCLUDES:

- 1 - 4-40 UNC-2B FEMALE SCREWLOCK
- 2 - 4-40 FLAT WASHERS
- 1 - 4-40 LOCK WASHERS
- 1 - 4-40 NUTS

DO NOT SCALE FROM DRAWING

| | | | | |
|--------------------------------|---|--|------------------------------|-------------------------|
| | THESE DRAWINGS AND SPECIFICATIONS ARE THE PROPERTY OF NorComp AND SHALL NOT BE REPRODUCED, COPIED OR USED AS THE BASIS FOR THE MANUFACTURE OF SALE OF APPARATUS WITHOUT WRITTEN PERMISSION. | | DRAWN: PAM JENKINS | DATE: 5-14-05 |
| | NorComp | | SCALE: NTS | SHEET 1 OF 1 |
| DWG NO. 160-000-01YR03Y | | | | |

RoHS COMPLIANT

X-ON Electronics

Largest Supplier of Electrical and Electronic Components

Click to view similar products for [D-Sub Tools & Hardware](#) category:

Click to view products by [NorComp](#) manufacturer:

Other Similar products are found below :

[000-01-09-132](#) [000-01-21-132](#) [000-01-31-162](#) [572019-00105-70](#) [000-01-37-162](#) [621-250-113-115](#) [D110550-2](#) [D20418-137](#) [780-518-50SG6-WS](#) [86552009](#) [86553115TLF](#) [86553117TLF](#) [1230032-1](#) [1-5021101-2](#) [15-000050](#) [1589283-4](#) [160-000-005R031](#) [16-000230](#) [160-025-004R031](#) [160-020-209R000](#) [160X10909X](#) [164C03939A](#) [177-505-A-2-2](#) [1-966830-8](#) [21018-6](#) [2-1393560-9](#) [JS-1000](#) [L17D204182M3E](#) [L17D53018](#) [300X10779X](#) [160X10189X](#) [160X10419X](#) [162-000-050R000](#) [21018-5](#) [212561-3](#) [248C21550X](#) [CF15P](#) [QLOCKPOST-2](#) [D110277](#) [500-008NF1K-01](#) [500-008NF3R3KS-01](#) [500-017M09FN](#) [500-017M15MHN](#) [500-024M1](#) [500-068M3](#) [5-1393561-5](#) [C115373-0001](#) [C115373-0002](#) [3342-4-KIT](#) [K1003](#)