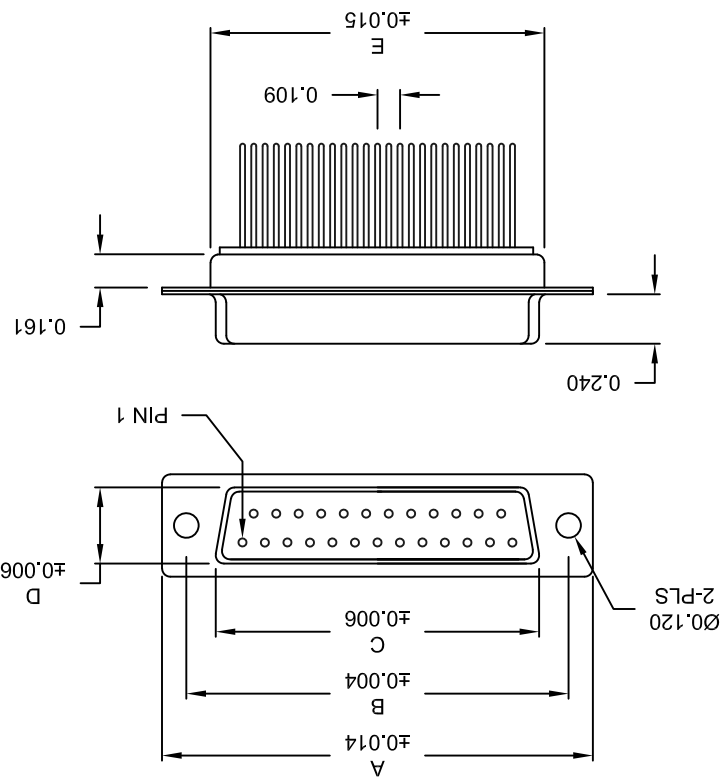


ROHS COMPLIANT

ELECTRICAL:
 CURRENT RATING: 5 AMPS
 CONTACT RESISTANCE: 15 mOhms Max.
 INSULATION RESISTANCE: 1,000 Mohms Min.
 VOLTAGE: 500VAC FOR 1 MINUTE
 TEMPERATURE: -50° C TO 100° C

MATERIAL:
 SHELL: STEEL, TIN
 INSULATOR: UL 94V-O RATED, PA6T
 PROCESS TEMP.: 260° C
 CONTACT: BRASS



DESCRIPTION: FEMALE - WIRE WRAP / MACHINED - PREMIUM

NorComp

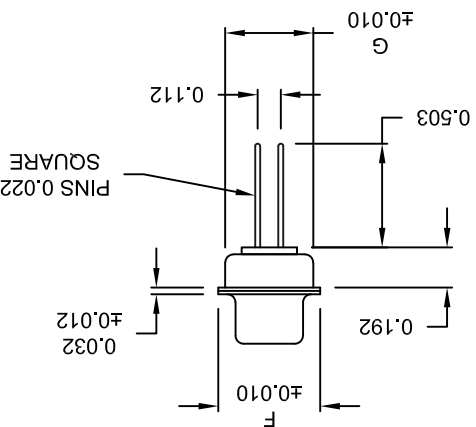


THESE DRAWINGS AND SPECIFICATIONS ARE THE PROPERTY OF NorComp AND SHALL NOT BE REPRODUCED, COPIED OR USED AS THE BASIS FOR THE MANUFACTURE OF SALE OF APPARATUS WITHOUT WRITTEN PERMISSION.

DO NOT SCALE FROM DRAWING

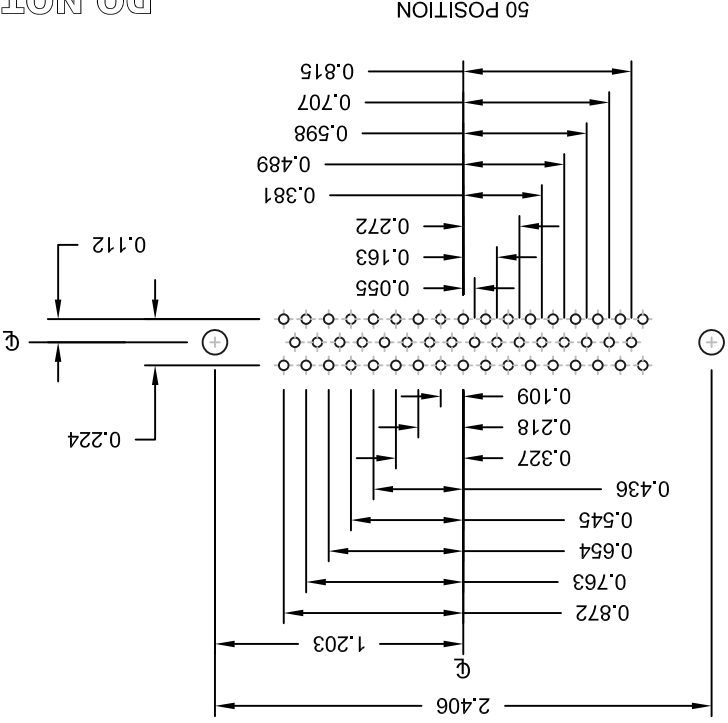
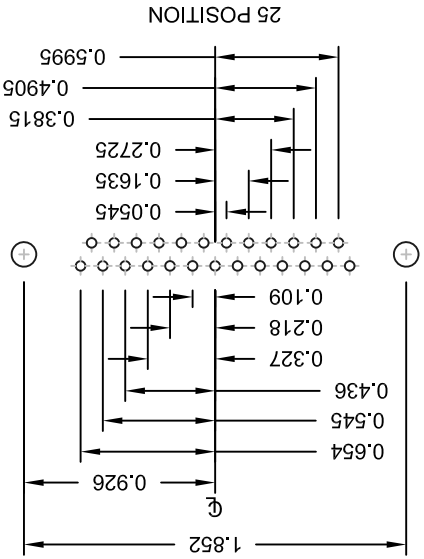
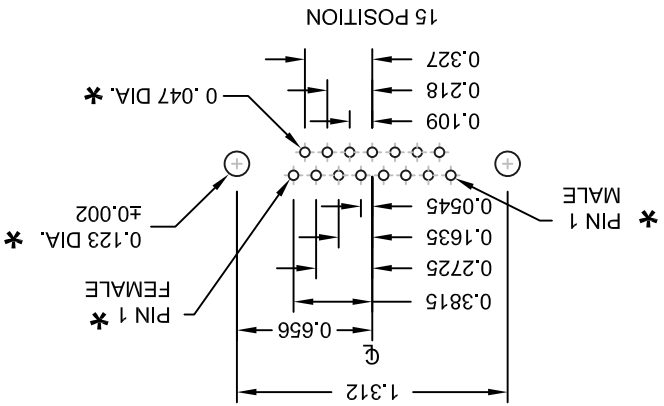
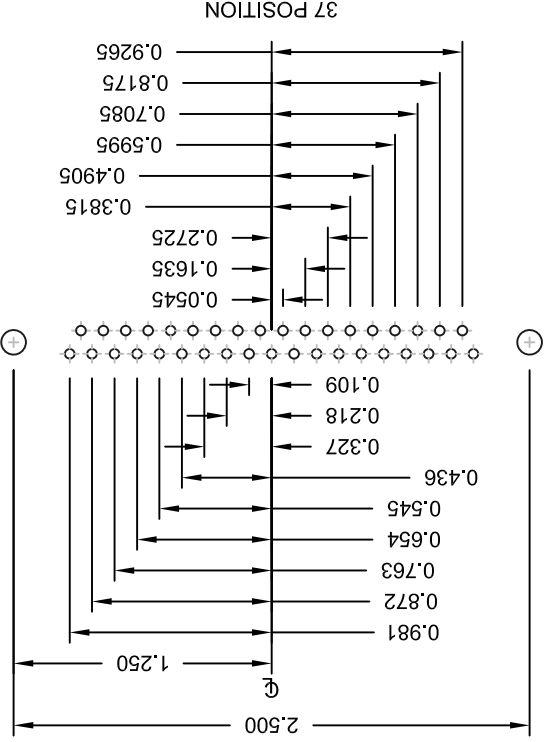
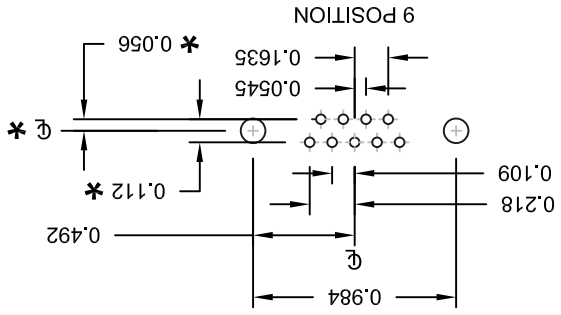
DWC NO. 172-YYY-242RYY1		SCALE: NTS	
REV 12	SHEET 3 OF 1	DRAWN: PAM JENKINS	
DATE: 09-12-05			

- SERIES 172-YYY-242RYY1
- POSITIONS 009
- GENDER 015
- TERMINATION 025
- 2 = FEMALE
- 4 = WIRE WRAP
- SHELL PLATING 037
- ROHS COMPLIANT 050
- HARDWARE OPTIONS 00 = NO HARDWARE
- 01 = .065" CLINCH NUT (BOARD SIDE)
- 02 = .250" CLINCH NUT (BOARD SIDE)
- 03 = .250" CLINCH NUT (MOUNTING SIDE)
- 05 = .237" 4-40 BOARD LOCK
- 91 = .237" 4-40 SPACER/ BOARD LOCK
- PLATING OPTIONS 1 = GOLD FLASH
- 2 = 30MICRO-INCH GOLD



No. OF PINS	DIMENSIONS					
	A	B	C	D	E	F
9	1.213	0.984	0.642	0.315	0.760	0.429
15	30.80	24.99	16.30	8.00	19.30	12.60
	1.541	1.312	0.969	0.315	1.083	0.429
25	39.15	33.32	24.60	8.00	27.51	12.60
	2.088	1.852	1.512	0.315	1.630	0.429
37	53.04	47.04	38.40	8.00	41.40	12.60
	2.729	2.500	2.157	0.315	2.276	0.429
50	69.32	63.50	54.80	8.00	57.81	12.60
	2.635	2.406	2.059	0.425	2.182	0.535
	66.93	61.11	52.30	10.80	55.42	13.60

DESCRIPTION: PCB LAYOUT - STANDARD "D" - MALE & FEMALE



DO NOT SCALE FROM DRAWING

* TYP. ON ALL SIZES



THESE DRAWINGS AND SPECIFICATIONS ARE THE PROPERTY OF NorComp AND SHALL NOT BE REPRODUCED, COPIED OR USED AS THE BASIS FOR THE MANUFACTURE OF SALE OF APPARATUS WITHOUT WRITTEN PERMISSION.

NorComp

DRAWN: PAM JENKINS

DATE: 09-12-05

SCALE: NTS

SHEET 2 OF 3

REV 12

DWG NO. 172-YYY-242RYY1

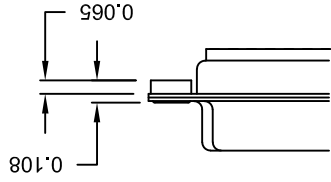
DESCRIPTION: CLINCH NUT HARDWARE

ALL CLINCH-NUTS ARE 4-40 INTERNAL THREADS

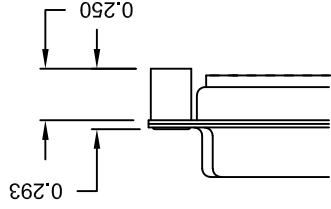
TOLERANCE:

ALL DIMENSIONS ARE ± 0.010

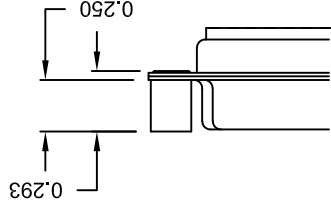
01X 0.065" (BOARD SIDE) - CN1



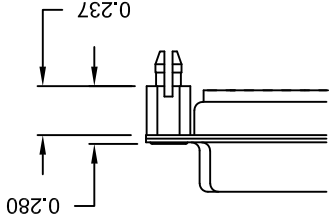
02X 0.250" (BOARD SIDE) - CN2



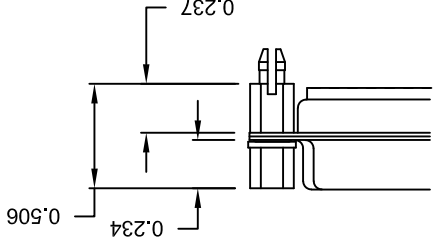
03X 0.250" (MATING SIDE) - CN8



05X 0.237" (BOARD SIDE) - CN10



91X 0.237" (BOARD SIDE) - 0.197 MATING SIDE - CN10/SFSO4404



NOTE: 4-40 FEMALE SCREW LOCK IS REMOVABLE

DO NOT SCALE FROM DRAWING



THESE DRAWINGS AND SPECIFICATIONS ARE THE PROPERTY OF NorComp AND SHALL NOT BE REPRODUCED, COPIED OR USED AS THE BASIS FOR THE MANUFACTURE OF SALE OF APPARATUS WITHOUT WRITTEN PERMISSION.

NorComp

SCALE: NTS

SHEET

OF

3

REV

12

DWG NO.

172-YYY-242RYY1

DATE:

09-12-05

DRAWN: PAM JENKINS

X-ON Electronics

Largest Supplier of Electrical and Electronic Components

Click to view similar products for [D-Sub Standard Connectors](#) category:

Click to view products by [NorComp](#) manufacturer:

Other Similar products are found below :

[DCM37S732N](#) [DAM15P500](#) [DEV09S364GTLF](#) [DEM09P032N](#) [DDM50P732N](#) [DAM15S332N](#) [173109-2218](#) [173109-2466](#) [173109-2436](#)
[173109-2435](#) [56F706-005-LI](#) [56F711-015](#) [015-0341-000](#) [015-0372-008](#) [015-8544-011](#) [017041-0005](#) [012-0515-000](#) [012-9507-034](#) [012-9507-114](#) [012-9534-001](#) [020745-0008](#) [609-25P](#) [M24308/2-23Z](#) [M243082310F](#) [M243082410F](#) [M243082411F](#) [M24308/4-21](#) [CT1A18-11PSA206](#)
[CT1N36-5SC](#) [CT2-16S-17PS](#) [CT2-20-15PCAU](#) [CT2-24-12PS](#) [CT2-24-28PSF127A206](#) [CT2-32-9PC](#) [CT6F9767-14-4-14S-5PC](#)
[CT6FA10SL-4PS](#) [CT7-18-10SC](#) [CT7-18-10SCAU](#) [CT7-18-12SCAU](#) [CT7-18-1PC](#) [CT7-18-1PCAU](#) [CT7-18-21SCAU](#) [M83513/01-FC](#)
[M83723/76W24619 L/C](#) [M85049/48-3-2F](#) [69001-865](#) [6STD09PCM99B70X](#) [6STD09SCT99S40X](#) [6STD15PCT99S40X](#)
[6STD15SCM99B30X](#)