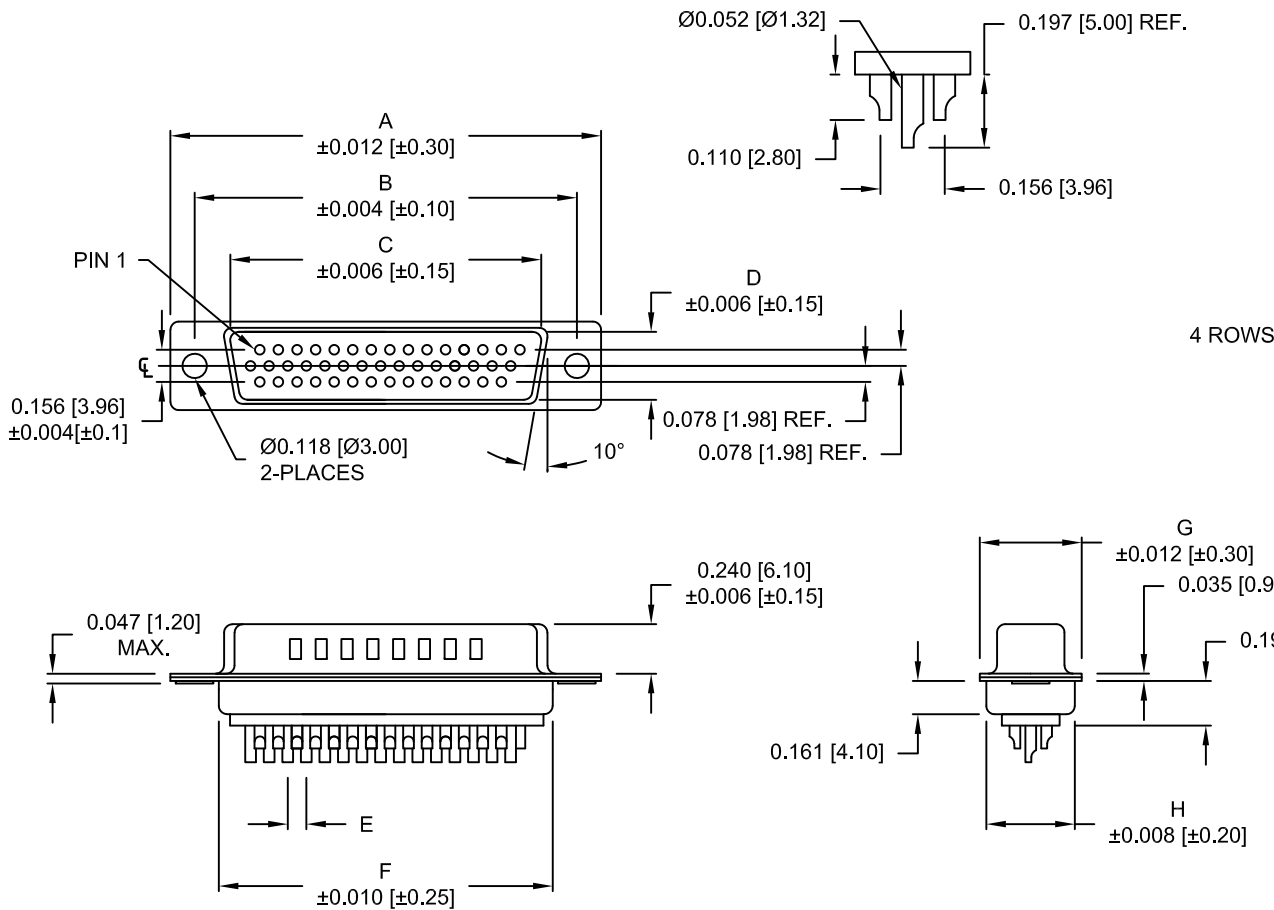
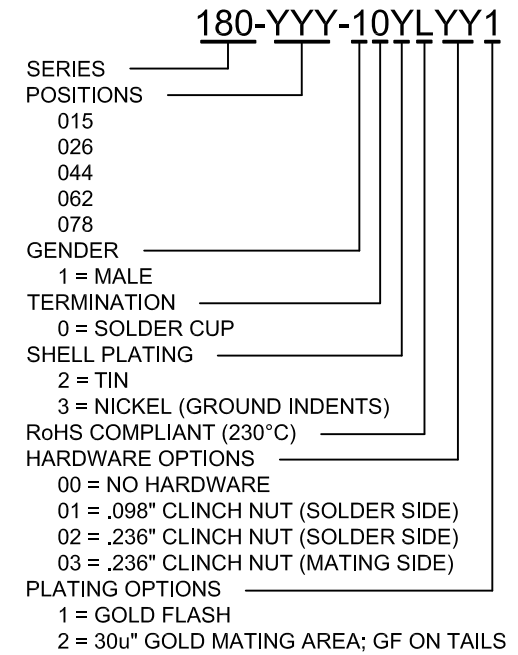


DESCRIPTION: HIGH DENSITY MALE - SOLDER CUP



No. OF PINS	DIMENSIONS							
	A	B	C	D	E	F	G	H
15	1.213	0.984	0.666	0.329	0.090	0.756	0.496	0.429
	30.80	24.99	16.92	8.36	2.29	19.20	12.60	10.90
26	1.543	1.312	0.978	0.329	0.090	1.091	0.496	0.429
	39.20	33.32	25.25	8.36	2.29	27.70	12.60	10.90
44	2.087	1.852	1.534	0.329	0.090	1.618	0.496	0.429
	53.00	47.04	38.85	8.36	2.29	41.10	12.60	10.90
62	2.732	2.500	2.181	0.329	0.095	2.256	0.496	0.429
	69.40	63.50	55.40	8.36	2.41	57.30	12.60	10.90
78	2.638	2.406	2.079	0.445	0.095	2.169	0.606	0.526
	67.00	61.10	52.80	11.30	2.41	55.10	15.40	13.35

4 ROWS



MATERIAL:

SHELL: STEEL, TIN OR NICKEL PLATED
 INSULATOR: PBT +30% FIBER-GLASS // UL 94V-O RATED
 CONTACT: BRASS, GOLD PLATED OVER NICKEL

ELECTRICAL:

CURRENT RATING: 5 AMPS
 CONTACT RESISTANCE: 15 mOhms Max.
 INSULATION RESISTANCE: 1,000 MOhms min.
 VOLTAGE: 500VAC FOR 1 MINUTE
 TEMPERATURE: -50° C TO 100° C

NOTE: WILL ACCEPT UP TO 24 AWG WIRE

UNITS = inch [mm] DO NOT SCALE FROM DRAWING

	THESE DRAWINGS AND SPECIFICATIONS ARE THE PROPERTY OF NorComp AND SHALL NOT BE REPRODUCED, COPIED OR USED AS THE BASIS FOR THE MANUFACTURE OF SALE OF APPARATUS WITHOUT WRITTEN PERMISSION.	DRAWN: WAYNE ROBBINS	DATE: 11-29-05
		SCALE: NTS	SHEET 1 OF 2
DWG NO. 180-YYY-10YLYY1			

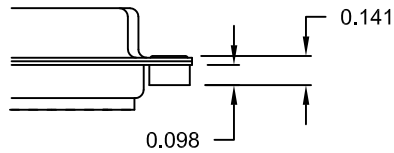
RoHS COMPLIANT

DESCRIPTION: CLINCH NUT HARDWARE

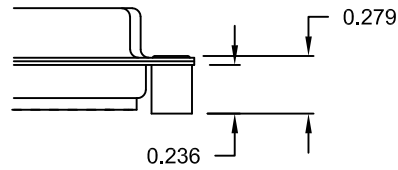
TOLERANCE:
ALL DIMENSIONS ARE ± 0.010

ALL CLINCH-NUTS ARE 4-40 INTERNAL THREADS

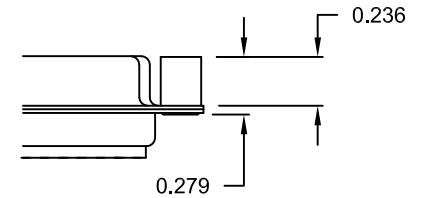
01X 0.098" (SOLDER SIDE)



02X 0.236" (SOLDER SIDE)



03X..... 0.236" (MATING SIDE)



UNITS = inch

DO NOT SCALE FROM DRAWING



THESE DRAWINGS AND SPECIFICATIONS ARE THE PROPERTY OF NorComp AND SHALL NOT BE REPRODUCED, COPIED OR USED AS THE BASIS FOR THE MANUFACTURE OF SALE OF APPARATUS WITHOUT WRITTEN PERMISSION.

DRAWN:
WAYNE ROBBINS

DATE:
11-29-05

NorComp

SCALE: NTS SHEET 2 OF 2 REV 15

DWG NO. 180-YYY-10YLYY1

RoHS COMPLIANT

X-ON Electronics

Largest Supplier of Electrical and Electronic Components

Click to view similar products for [D-Sub High Density Connectors](#) category:

Click to view products by [NorComp](#) manufacturer:

Other Similar products are found below :

[97-3250-11](#) [163A16809X](#) [163A17089X](#) [164A17199X](#) [242A25680X](#) [L717HDB44POL2R210](#) [L717HDEH15POL2](#) [L777HDE15P](#)
[L77HDE15SC309](#) [163A16759X](#) [163A16839X](#) [163A16989X](#) [163A17079X](#) [164A17329X](#) [164A18219X](#) [241A16440X](#) [241A16550X](#)
[241A16680X](#) [241A20810X](#) [241A25740X](#) [CT25-44P](#) [MDBE15PE766](#) [L177HDE15SOL2RM23](#) [L177HRC62S](#) [L177HRC62SVFM](#)
[L177HRCG62S](#) [L717HDEG15POL2RM5](#) [L77HDA26SVF](#) [L77HDE15SD1CO](#) [L77HDEH15SOL2RM832](#) [443895-3](#) [106698-1](#) [280-012K2C](#)
[L177HRB44S](#) [164A17039X](#) [09562004701510](#) [164A17969X](#) [L777HRC62P](#) [241A17960X](#) [164A18269X](#) [280-019S1S9MEN](#) [L777HDEG15P](#)
[280-018P3S25MEGN](#) [206504-2](#) [40-9515HDSP](#) [2057140-1](#) [C115370-6002](#) [DFMA104SNMBFR172FR022](#) [HDC9F200E2S](#) [M24308/4-265](#)