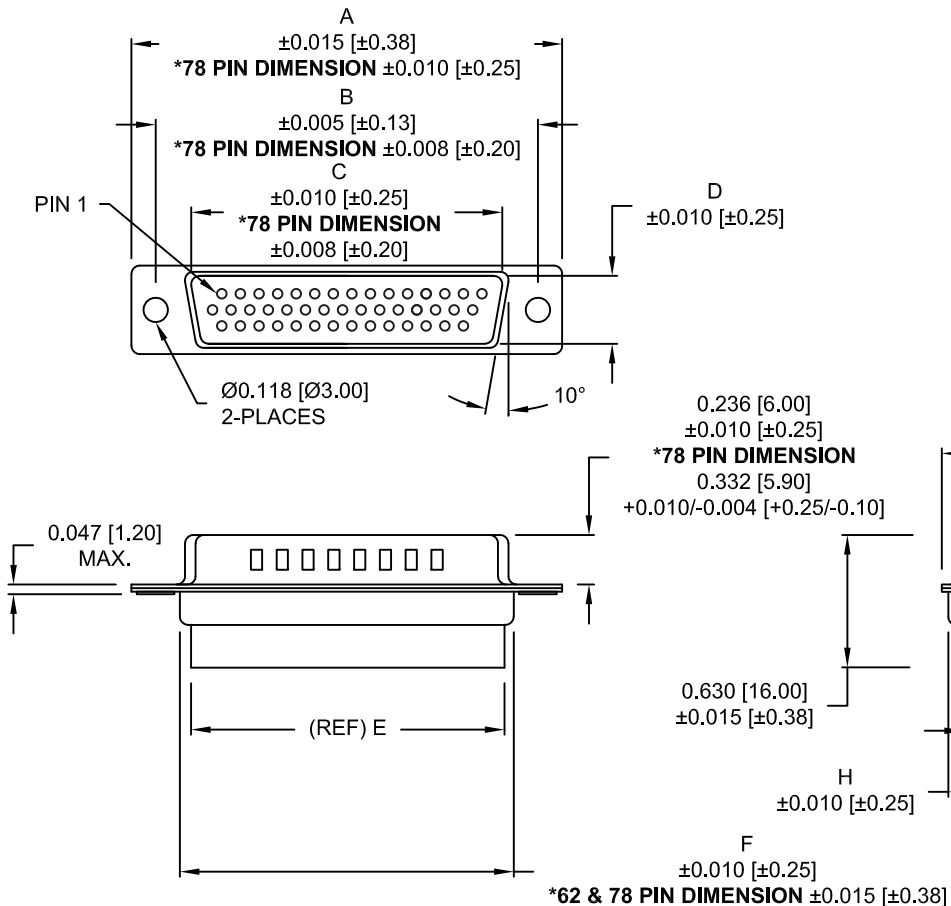


DESCRIPTION: MALE - CRIMP AND LOAD

**\*\*NOTE: CONTACTS MUST BE PURCHASED SEPARATELY\*\***



4 ROWS

No. OF PINS	DIMENSIONS							
	A	B	C	D	E	F	G	H
15	1.213	0.984	0.666	0.323	0.610	0.759	0.494	0.421
	30.81	24.99	16.92	8.20	15.50	19.28	12.55	10.70
26	1.541	1.312	0.994	0.323	0.964	1.083	0.494	0.421
	39.14	33.32	25.25	8.20	24.50	27.51	12.55	10.70
44	2.088	1.852	1.534	0.323	1.494	1.618	0.494	0.421
	53.04	47.04	38.96	8.20	37.95	41.10	12.55	10.70
62	2.729	2.500	2.182	0.319	2.142	2.272	0.494	0.421
	69.32	63.50	55.42	8.10	54.40	57.71	12.55	10.70
78	2.644	2.406	2.081	0.439	2.035	2.169	0.605	0.527
	67.16	61.11	52.86	11.15	51.70	55.10	15.37	13.40

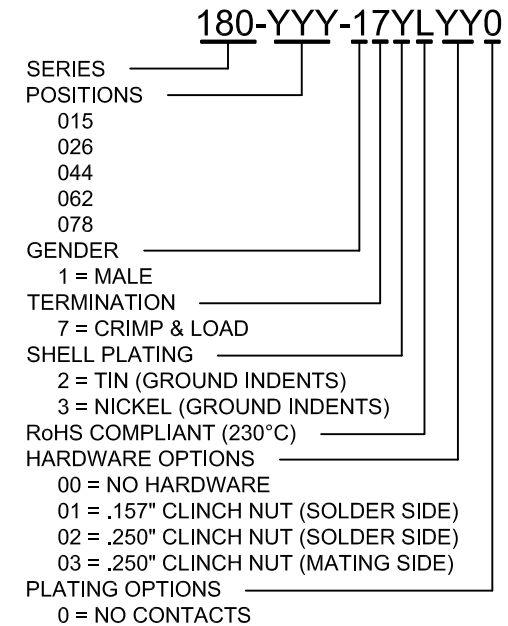
**MATERIAL:**

SHELL: STEEL, TIN OR NICKEL PLATED  
 INSULATOR: PBT, UL 94V-O RATED,  
 +30% FIBER-GLASS

**ELECTRICAL:**

INSULATION RESISTANCE: 1,000 MOhms MIN.  
 VOLTAGE: 500VAC FOR 1 MINUTE  
 TEMPERATURE: -50° C TO 100° C

RoHS COMPLIANT



UNITS = inch[mm]

DO NOT SCALE FROM DRAWING

	THESE DRAWINGS AND SPECIFICATIONS ARE THE PROPERTY OF NorComp AND SHALL NOT BE REPRODUCED, COPIED OR USED AS THE BASIS FOR THE MANUFACTURE OF SALE OF APPARATUS WITHOUT WRITTEN PERMISSION.	DRAWN: J KADEL	DATE: 07-16-18
	<h1>NorComp</h1>	SCALE: NTS	SHEET 1 OF 2
		DWG NO. 180-YYY-17YLYY0	

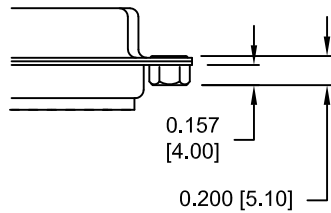
DESCRIPTION: CLINCH NUT HARDWARE

### ALL CLINCH-NUTS ARE 4-40 INTERNAL THREADS

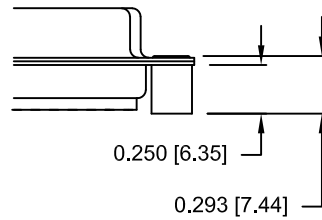
UNITS = inch[mm]

TOLERANCE:  
ALL DIMENSIONS ARE  $\pm 0.010$

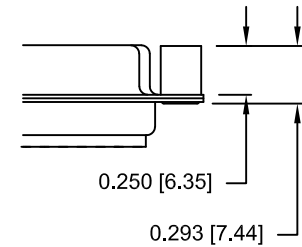
01X ..... 0.157" (SOLDER SIDE)



02X ..... 0.250" (SOLDER SIDE)



03X..... 0.250" (MATING SIDE)



DO NOT SCALE FROM DRAWING



THESE DRAWINGS AND SPECIFICATIONS ARE THE PROPERTY OF NorComp AND SHALL NOT BE REPRODUCED, COPIED OR USED AS THE BASIS FOR THE MANUFACTURE OF SALE OF APPARATUS WITHOUT WRITTEN PERMISSION.

DRAWN:  
J KADEL

DATE:  
07-16-18

# NorComp

SCALE: NTS SHEET 2 OF 2 REV 21

DWG NO. 180-YYY-17YLYY0

## RoHS COMPLIANT

## X-ON Electronics

Largest Supplier of Electrical and Electronic Components

*Click to view similar products for [D-Sub High Density Connectors](#) category:*

*Click to view products by [NorComp](#) manufacturer:*

Other Similar products are found below :

[97-3250-11](#) [163A16809X](#) [163A17089X](#) [164A17199X](#) [242A25680X](#) [L717HDB44POL2R210](#) [L717HDEH15POL2](#) [L777HDE15P](#)  
[L77HDE15SC309](#) [163A16759X](#) [163A16839X](#) [163A16989X](#) [163A17079X](#) [164A17329X](#) [164A18219X](#) [241A16440X](#) [241A16550X](#)  
[241A16680X](#) [241A20810X](#) [241A25740X](#) [CT25-44P](#) [MDBE15PE766](#) [L177HDE15SOL2RM23](#) [L177HRC62S](#) [L177HRC62SVFM](#)  
[L177HRCG62S](#) [L717HDEG15POL2RM5](#) [L77HDA26SVF](#) [L77HDE15SD1CO](#) [L77HDEH15SOL2RM832](#) [443895-3](#) [106698-1](#) [280-012K2C](#)  
[L177HRB44S](#) [164A17039X](#) [09562004701510](#) [164A17969X](#) [L777HRC62P](#) [241A17960X](#) [164A18269X](#) [280-019S1S9MEN](#) [L777HDEG15P](#)  
[280-018P3S25MEGN](#) [206504-2](#) [40-9515HDSP](#) [2057140-1](#) [C115370-6002](#) [DFMA104SNMBFR172FR022](#) [HDC9F200E2S](#)  
[L717HDAG26POL2RM8](#)