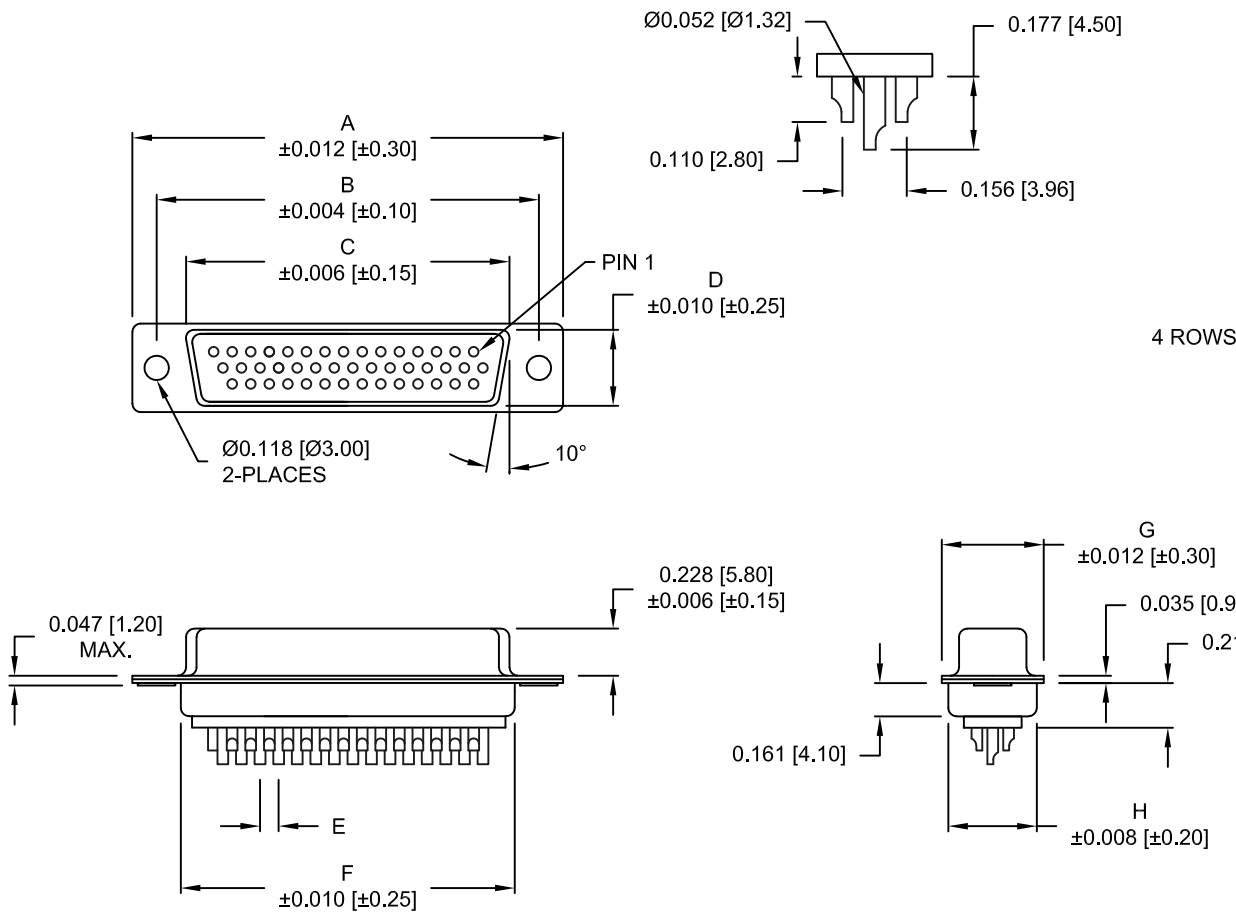


DESCRIPTION: HIGH DENSITY FEMALE - SOLDER CUP



No. OF PINS	DIMENSIONS							
	A	B	C	D	E	F	G	H
15	1.213	0.984	0.643	0.311	0.090	0.756	0.496	0.429
	30.80	24.99	16.34	7.90	2.29	19.20	12.60	10.90
26	1.541	1.312	0.966	0.311	0.090	1.091	0.496	0.429
	39.15	33.32	24.53	7.90	2.29	27.70	12.60	10.90
44	2.087	1.852	1.512	0.311	0.090	1.618	0.496	0.429
	53.00	47.04	38.40	7.90	2.29	41.10	12.60	10.90
62	2.728	2.500	2.156	0.311	0.095	2.256	0.496	0.429
	69.30	63.50	54.76	7.90	2.41	57.30	12.60	10.90
78	2.638	2.406	2.057	0.429	0.095	2.169	0.606	0.526
	67.00	61.10	52.26	10.90	2.41	55.10	15.40	13.35

180-YYY-20YLYY1

SERIES _____
 POSITIONS _____
 015 _____
 026 _____
 044 _____
 062 _____
 078 _____
 GENDER _____
 2 = FEMALE
 TERMINATION _____
 0 = SOLDER CUP
 SHELL PLATING _____
 2 = TIN
 3 = NICKEL
 RoHS COMPLIANT (230°C) _____
 HARDWARE OPTIONS _____
 00 = NO HARDWARE
 01 = .098" CLINCH NUT (SOLDER SIDE)
 02 = .236" CLINCH NUT (SOLDER SIDE)
 03 = .236" CLINCH NUT (MATING SIDE)
 PLATING OPTIONS _____
 1 = GOLD FLASH
 2 = 30u" GOLD MATING AREA; GF ON TAILS

MATERIAL:

SHELL: STEEL, TIN OR NICKEL PLATED
 INSULATOR: PBT +30% FIBER-GLASS // UL 94V-O RATED
 CONTACT: BRASS, GOLD PLATED OVER NICKEL



ELECTRICAL:

CURRENT RATING: 5 AMPS
 CONTACT RESISTANCE: 15 mOhms Max.
 INSULATION RESISTANCE: 1,000 MOhms min.
 VOLTAGE: 500VAC FOR 1 MINUTE
 TEMPERATURE: -50° C TO 100° C

NOTE: WILL ACCEPT UP TO 24 AWG WIRE

UNITS = inch [mm] DO NOT SCALE FROM DRAWING

RoHS COMPLIANT

	THESE DRAWINGS AND SPECIFICATIONS ARE THE PROPERTY OF NorComp AND SHALL NOT BE REPRODUCED, COPIED OR USED AS THE BASIS FOR THE MANUFACTURE OF SALE OF APPARATUS WITHOUT WRITTEN PERMISSION.	DRAWN: PAM JENKINS DATE: 08-12-98
		SCALE: NTS SHEET 1 OF 2 REV 11

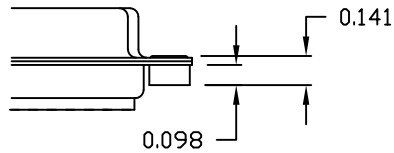
DWG NO. 180-YYY-20YLYY1

DESCRIPTION: CLINCH NUT HARDWARE

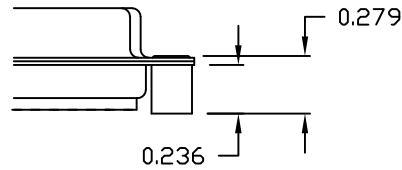
TOLERANCE:
ALL DIMENSIONS ARE ± 0.010

ALL CLINCH-NUTS ARE 4-40 INTERNAL THREADS

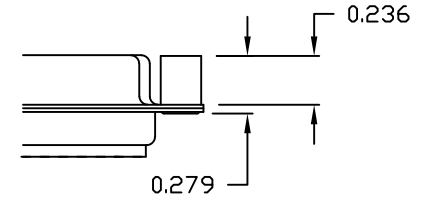
01X 0.098" (SOLDER SIDE)



02X 0.236" (SOLDER SIDE)



03X..... 0.236" (MATING SIDE)



UNITS = inch

DO NOT SCALE FROM DRAWING



THESE DRAWINGS AND SPECIFICATIONS ARE THE PROPERTY OF NorComp AND SHALL NOT BE REPRODUCED, COPIED OR USED AS THE BASIS FOR THE MANUFACTURE OF SALE OF APPARATUS WITHOUT WRITTEN PERMISSION.

DRAWN:
PAM JENKINS

DATE:
08-12-98

NorComp

SCALE: NTS SHEET 2 OF 2 REV 11

DWG NO. 180-YYY-20YLYY1

RoHS COMPLIANT

X-ON Electronics

Largest Supplier of Electrical and Electronic Components

Click to view similar products for [D-Sub High Density Connectors](#) category:

Click to view products by [NorComp](#) manufacturer:

Other Similar products are found below :

[97-3250-11](#) [164A17479X](#) [L717HDB44POL2R210](#) [L777HDE15P](#) [164A17329X](#) [164A18219X](#) [241A16440X](#) [241A16550X](#) [241A16680X](#)
[241A20810X](#) [241A25740X](#) [MDBE15PE766](#) [L177HRC62S](#) [L177HRC62SVFM](#) [L177HRCG62S](#) [L77HDA26SVF](#) [L77HDEH15S](#) [443895-3](#)
[106698-1](#) [749109-6](#) [L177HRB44S](#) [164A17039X](#) [09562004701510](#) [L777HRC62P](#) [164A18269X](#) [206504-2](#) [40-9515HDSP](#) [2057140-1](#)
[C115370-6002](#) [DFMA104SNMBFR172FR022](#) [HDC9F200E2S](#) [L717HDAG26POL2RM8](#) [241A28180X](#) [280-019S1S9MEL](#) [280-](#)
[029S2S15MEPB](#) [280-023S1S9MTPA](#) [280-022P5H78MTGPA](#) [242A19620X](#) [241A26740X](#) [L177HDEH15SOL2RM5](#) [280-047S4-27W2MEN](#)
[L717HDA26PD1CH4R](#) [280-019S1H15MEN](#) [163A17859X](#) [340102002B](#) [DABMA26PSNMB](#) [280-018P3H44MEGN](#) [242A18110X](#)
[MDBRE15PEJN0](#) [K66X-A26P-N30](#) [173113-0072](#)