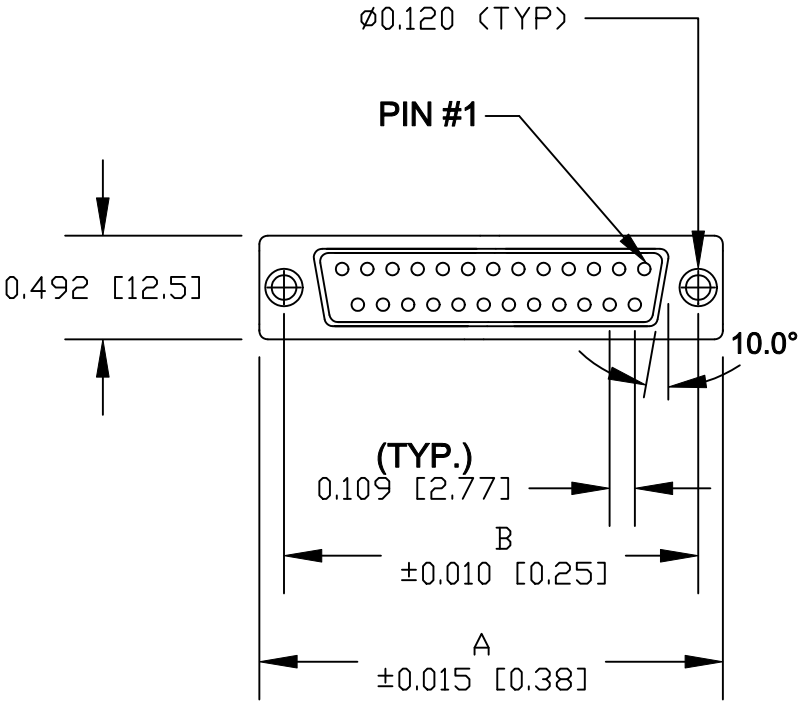
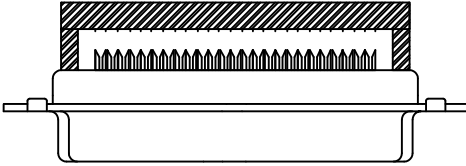
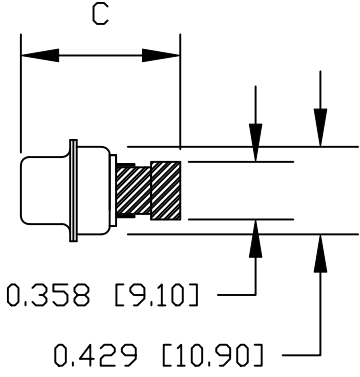


DESCRIPTION: LOW PROFILE FLAT RIBBON CONNECTOR

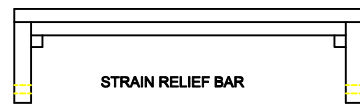
**25 POSITION SHOWN FOR REFERENCE**



**TERMINATED**



CONNECTOR COMES WITH STRAIN RELIEF BAR



**SPECIFICATIONS:**

**MATERIALS:**

- SHELL: STEEL, TIN PLATED
- INSULATOR: UL 94V-0 RATED POLYESTER, GLASFILLED, BLACK
- CONTACTS: COPPER ALLOY

**ELECTRICAL:**

- CURRENT RATING: 1.5 AMP
- CONTACT RESISTANCE: 10 mOHMS MAX
- INSULTOR RESISTANCE: 5000 MOHMS MIN
- VOLTAGE: 500V AC FOR 1 MINUTE
- TEMPERATURE: -55°C TO +125°C

**184AYYY-292LYY1**

SERIES \_\_\_\_\_

POSITIONS \_\_\_\_\_

009 \_\_\_\_\_

015 \_\_\_\_\_

025 \_\_\_\_\_

037 \_\_\_\_\_

GENDER \_\_\_\_\_

1 = MALE

2 = FEMALE

TERMINATION \_\_\_\_\_

9 = IDC

SHELL PLATING \_\_\_\_\_

2= TIN

HARDWARE OPTIONS \_\_\_\_\_

00 = NO HARDWARE

01 = .065 4-40 CLINCH NUT BOARD SIDE

PLATING OPTIONS \_\_\_\_\_

1 = GOLD FLASH

|    | A     | B     | C<br>CLOSED | C<br>OPEN |
|----|-------|-------|-------------|-----------|
| 9  | 1.213 | 0.984 | 0.610       | 0.728     |
|    | 30.81 | 25.00 | 15.50       | 18.50     |
| 15 | 1.541 | 1.312 | 0.610       | 0.728     |
|    | 39.14 | 33.33 | 15.50       | 18.50     |
| 25 | 2.087 | 1.852 | 0.610       | 0.728     |
|    | 53.00 | 47.04 | 15.50       | 18.50     |
| 37 | 2.729 | 2.500 | 0.610       | 0.728     |
|    | 69.32 | 63.50 | 15.50       | 18.50     |

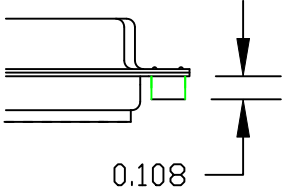
ACCEPTS: 28 AWG STRANDED .050" CENTER FLAT RIBBON CABLE

|                |   |                                |                            |                          |
|----------------|---|--------------------------------|----------------------------|--------------------------|
|                | THESE DRAWINGS AND SPECIFICATIONS ARE THE PROPERTY OF NorComp AND SHALL NOT BE REPRODUCED, COPIED OR USED AS THE BASIS FOR THE MANUFACTURE OF SALE OF APPARATUS WITHOUT WRITTEN PERMISSION. |                                | DRAWN:<br><b>M. SIGMON</b> | DATE:<br><b>04-04-11</b> |
|                |   |                                | CHECKED:                   | DATE:                    |
| <b>NorComp</b> |   | SCALE:<br>1:1                  | SHEET<br>1 OF 2            | REV<br>1                 |
|                |   | DWG NO. <b>184AYYY-292LYY1</b> |                            |                          |

**RoHS COMPLIANT**

DESCRIPTION: CLINCH NUT HARDWARE

CLINCH-NUTS ARE 4-40 INTERNAL THREADS



01X ..... .108" (BOARD SIDE) - CN1

|                |   |                     |                   |
|----------------|---|---------------------|-------------------|
|                | THESE DRAWINGS AND SPECIFICATIONS ARE THE PROPERTY OF NorComp AND SHALL NOT BE REPRODUCED, COPIED OR USED AS THE BASIS FOR THE MANUFACTURE OF SALE OF APPARATUS WITHOUT WRITTEN PERMISSION. | DRAWN:<br>M. SIGMON | DATE:<br>04-05-11 |
|                |   | CHECKED:            | DATE:             |
| <b>NorComp</b> | SCALE:  | SHEET 2 OF 2        | REV 1             |
|                | DWG NO.   | 184AYYY-292LYY1     |                   |

## X-ON Electronics

Largest Supplier of Electrical and Electronic Components

*Click to view similar products for [D-Sub Standard Connectors](#) category:*

*Click to view products by [NorComp](#) manufacturer:*

Other Similar products are found below :

[56F711-015](#) [LV242999-142T12](#) [015-0341-000](#) [015-0372-005](#) [015-0372-008](#) [015-8755-001](#) [020419-0104](#) [012-0467-000](#) [012-9507-034](#) [012-9507-114](#) [020745-0008](#) [609-25P](#) [CT2-14S-2PCA34](#) [CT2-18-11PCAU](#) [CT6-10SL-3SC](#) [CT6-10SL-4SC](#) [CT6-14S-2SC](#) [CT6E14SA7SC](#)  
[M83513/01-FC](#) [M83723/76W24619 L/C](#) [M85049/48-3-2F](#) [6STD09PCM99B70X](#) [6STD09SCM99B30X](#) [6STD09SCT99S40X](#)  
[6STD15PCT99S40X](#) [6STD15SCM99B30X](#) [6STD15SCT99S40X](#) [6STF09PCM05B70X](#) [7-135760-9](#) [MC11E-10-6SN](#) [747552-3](#) [MD1-21PS](#)  
[MDM-15SCBRM7-F222](#) [MDM96517-699](#) [MDM96521-744](#) [MDVB1-21SL1](#) [MIK0-1-7SH003](#) [MIKQ6-7SH076](#) [MIKQ7-7PH077](#) [MIKQ7-7PH11](#) [MIKQ7-7PH32](#) [MJSV-28SL61](#) [MKJ4A1F14-55S](#) [8-135760-3](#) [8STD09PCM99B30X](#) [PG-KV/PV-16-GROM-SEALING](#) [GDA15P](#)  
[GDAY15PB](#) [980-0000-170](#) [980-0000-171](#)