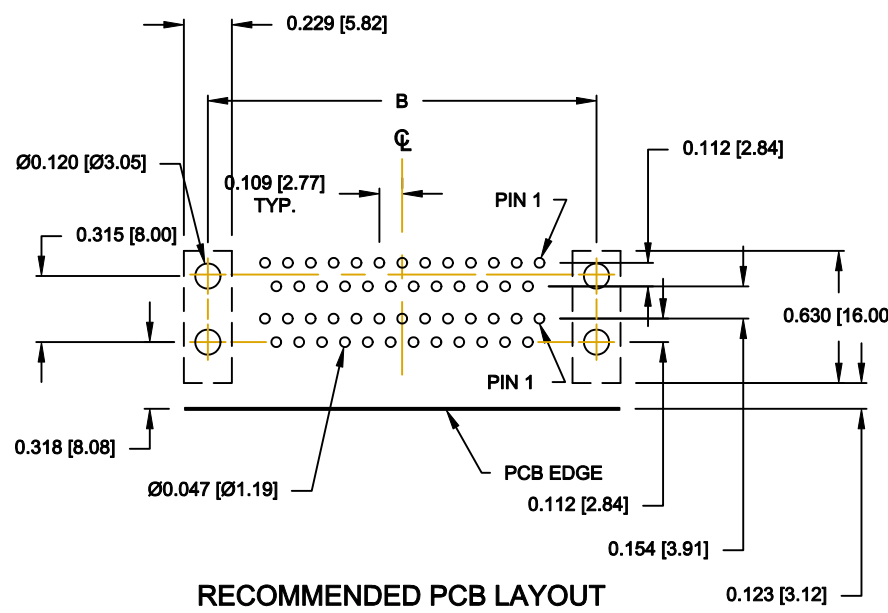
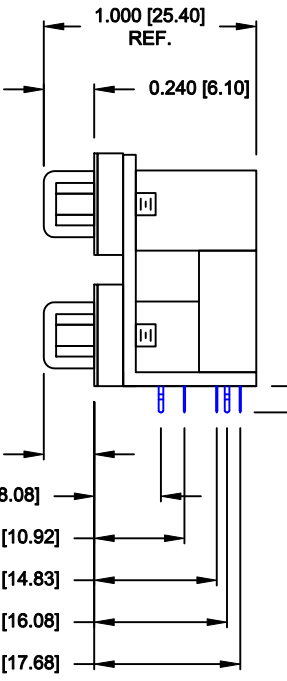
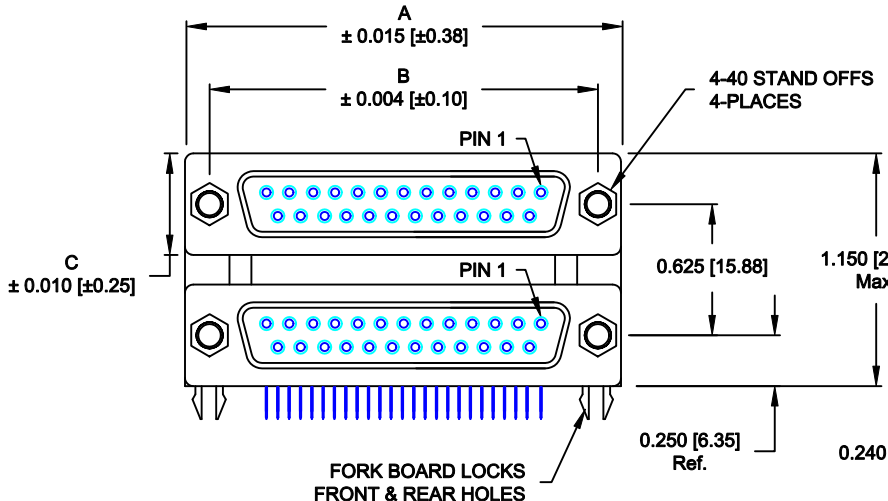


DESCRIPTION: 0.625 [15.88] CENTER DUAL PORT D-SUB - FEMALE OVER FEMALE

25 PIN SHOWN

| DIMENSIONS - INCHES [MM] |               |               |               |               |
|--------------------------|---------------|---------------|---------------|---------------|
| POS                      | 9             | 15            | 25            | 37            |
| A                        | 1.204 [30.58] | 1.535 [38.99] | 2.078 [52.78] | 2.724 [69.19] |
| B                        | 0.984 [24.99] | 1.312 [33.32] | 1.850 [46.99] | 2.500 [63.50] |
| C                        | 0.494 [12.55] | 0.494 [12.55] | 0.494 [12.55] | 0.494 [12.55] |



**SPECIFICATION:**

**MATERIAL:**

SHELL: STEEL, NICKEL PLATED  
 INSULATOR: UL 94V-0 RATED, BLACK PA9T, 260° PROCESS TEMP.  
 CONTACTS: BRASS  
 CONTACT PLATING: GOLD PLATED ENTIRE CONTACT

**ELECTRICAL:**

INSULATOR RESISTANCE: 1,000 Ohms Min.  
 DIELECTRIC STRENGTH: 1,000VAC RMS  
 CURRENT RATING: 5 AMPS  
 OPERATING TEMPERATURE: -55° C TO 105° C

**189-YYY-513R571**

SERIES \_\_\_\_\_  
 POSITIONS \_\_\_\_\_  
 009 \_\_\_\_\_  
 015 \_\_\_\_\_  
 025 \_\_\_\_\_  
 037 \_\_\_\_\_  
 GENDER \_\_\_\_\_  
 31 = FEMALE OVER MALE  
 41 = MALE OVER FEMALE  
 51 = FEMALE OVER FEMALE  
 61 = MALE OVER MALE  
 SHELL PLATING \_\_\_\_\_  
 3 = NICKEL  
 RoHS COMPLIANT (HIGH TEMP. PROCESS) \_\_\_\_\_  
 HARDWARE OPTIONS \_\_\_\_\_  
 57 = 4-40 STAND OFFS/BOARD LOCKS  
 PLATING OPTIONS \_\_\_\_\_  
 1 = GOLD FLASH (ENTIRE CONTACT)  
 A = 30u" GOLD MATING AREA/GOLD FLASH TAILS  
 9 = 30u" GOLD MATING AREA/TIN TAILS

DO NOT SCALE FROM DRAWING

|  |   |   |  |
|--|---|---|--|
|  | THESE DRAWINGS AND SPECIFICATIONS ARE THE PROPERTY OF NorComp AND SHALL NOT BE REPRODUCED, COPIED OR USED AS THE BASIS FOR THE MANUFACTURE OR SALE OF APPARATUS WITHOUT WRITTEN PERMISSION. | DRAWN: <b>C. SMITH</b><br>CHECKED: _____            | DATE: <b>03-30-07</b><br>DATE: _____       |
|  | <b>NorComp</b>  | SCALE: <b>1:1</b><br>DWG NO. <b>189-YYY-513R571</b> | SHEET <b>1</b> OF <b>1</b><br>REV <b>9</b> |

**RoHS COMPLIANT**

## X-ON Electronics

Largest Supplier of Electrical and Electronic Components

*Click to view similar products for [D-Sub Dualport Connectors](#) category:*

*Click to view products by [NorComp](#) manufacturer:*

Other Similar products are found below :

[787672-3](#) [164A15909X](#) [K42X-E15S/S-A4NJ](#) [K42X-E9SS-A4NJ](#) [242A14060X](#) [164A15819X](#) [DLS2SS5AN21X](#) [241A22450X](#) [242A14180X](#)  
[241A14190X](#) [DLS4SS5AN21X](#) [178-037-513R491](#) [178-037-613R491](#) [178-009-413R571](#) [178-009-513R571](#) [178-009-613R491](#) [178-009-613R691](#) [178-015-513R571](#) [178-015-613R571](#) [178-025-413R571](#) [178-025-513R571](#) [179-009-613R571](#) [179-025-513R571](#) [179-037-513R571](#)  
[K42X-E15S/S-A4N](#) [L17H2220131](#) [178-009-613R571](#) [178-015-513R491](#) [178-025-613R481](#) [178-025-613R571](#) [178-037-513R571](#) [178-037-513R671](#) [L17H2220120](#) [L17H2ED0130](#) [L17H1440130](#) [L17H1770231](#) [L17H2110120](#) [L17H2440120TM](#) [L17H1431134](#) [L17H1212130](#)  
[L17H2212120](#) [L17H1222134](#) [L17H2662120TM](#) [L17H2550120](#) [L17H2440120](#) [L17H2440121](#) [L17H1120134](#) [L17H2120120](#) [L17H2120230](#)  
[L17H1440134](#)