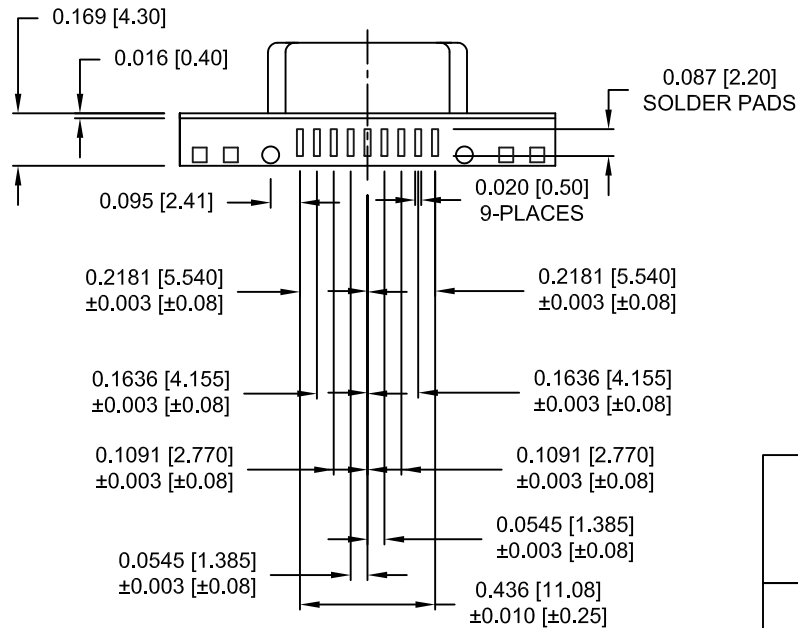
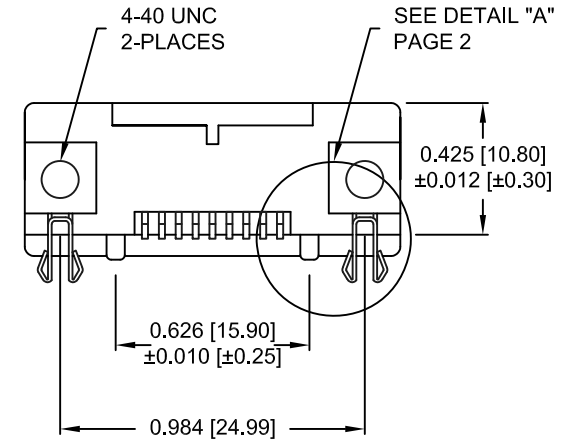
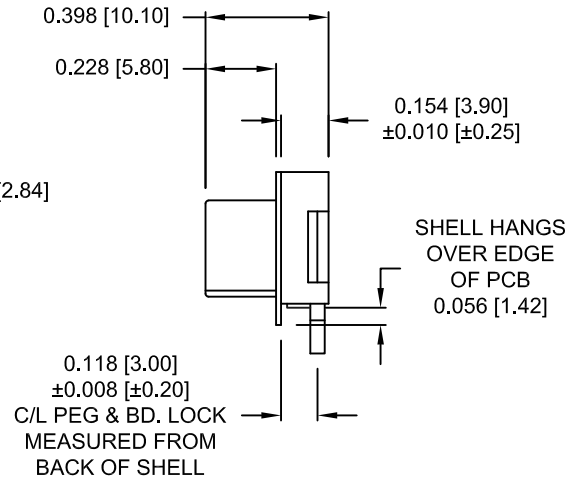
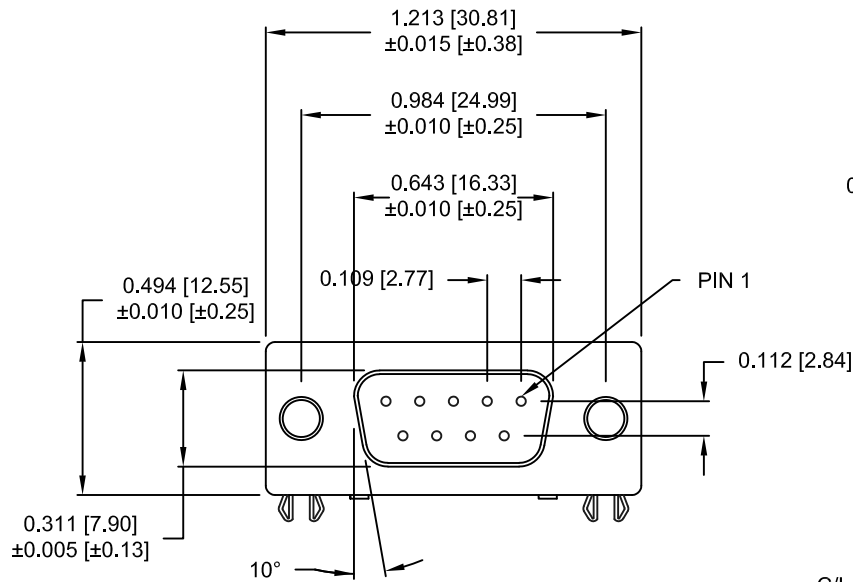


DESCRIPTION: 9 POS - FEMALE - SURFACE MOUNT

**MATERIAL/FINISH:**


SHELL: STEEL, NICKEL PLATED  
 BRACKET: BRASS, NICKEL PLATED  
 INSULATOR: NYLON 6T-UL 94V-0, BLACK  
 PROCESS TEMP: 260° C  
 INSULATOR: PATONE #322C, COLOR = Pc99  
 CONTACT PHOSPHOR BRONZE, TIN PLATED  
 GOLD FLASH - MATING AREA  
 TIN - TERMINATING AREA



**ELECTRICAL:**

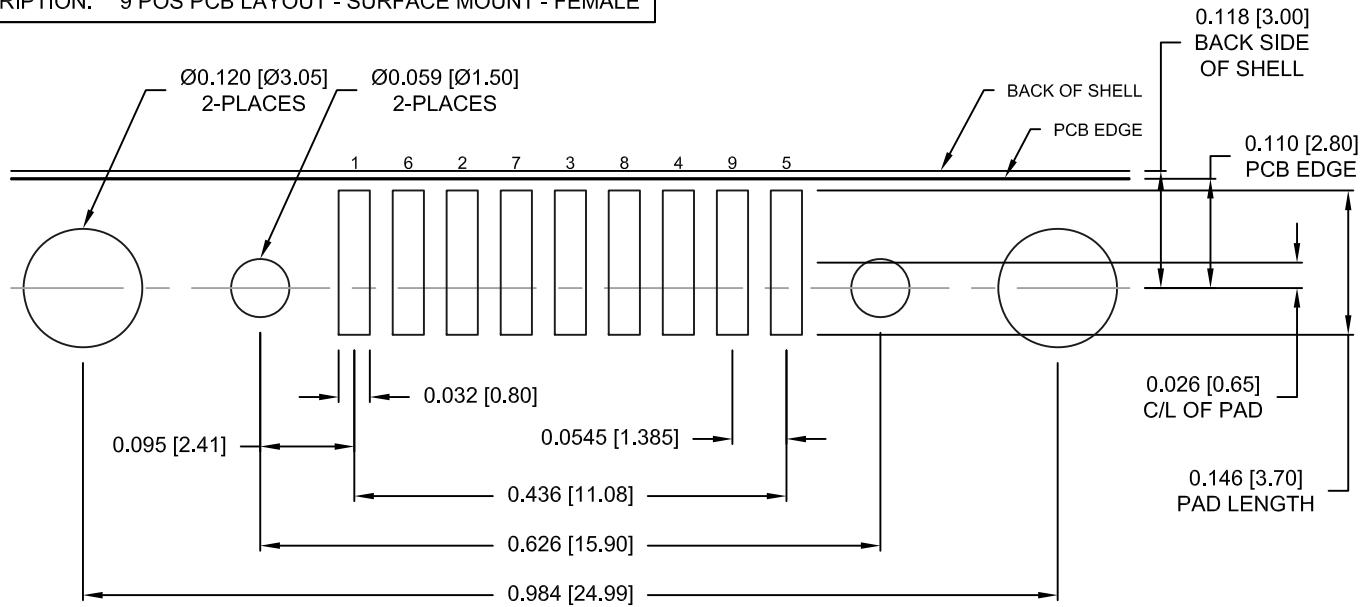
RATED CURRENT: 5 AMPS  
 RATED VOLTAGE: 300VDC  
 WITHSTANDING VOLTAGE: 500VAC (rms) FOR 1 Min.  
 INSULATION RESISTANCE: > 1,000mOhms AT 500VDC  
 CONTACT RESISTANCE: 13mOhms Max.  
 DIELECTRIC STRENGTH: 1,000VAC FOR 1 MINUTE  
 OPERATING TEMPERATURE: -55° ~ +105° C

DO NOT SCALE FROM DRAWING

	THESE DRAWINGS AND SPECIFICATIONS ARE THE PROPERTY OF NorComp AND SHALL NOT BE REPRODUCED, COPIED OR USED AS THE BASIS FOR THE MANUFACTURE OR SALE OF APPARATUS WITHOUT WRITTEN PERMISSION.		DRAWN: C. SMITH	DATE: 03-30-09
	NorComp		SCALE: NTS	SHEET 1 OF 2
DWG NO. 190-009-263R001				

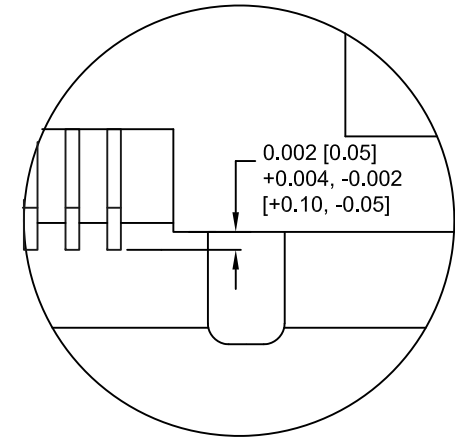
RoHS COMPLIANT

DESCRIPTION: 9 POS PCB LAYOUT - SURFACE MOUNT - FEMALE



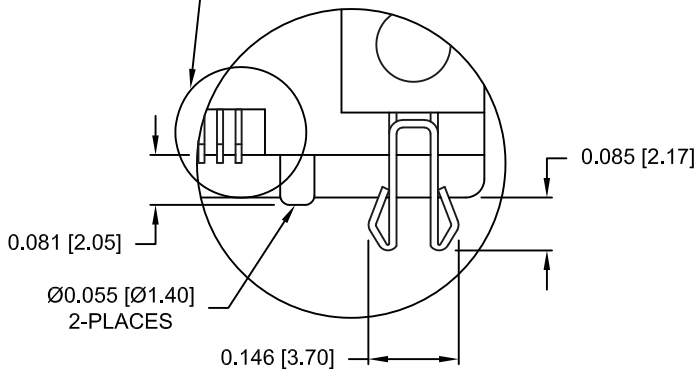
**RECOMMENDED PCB LAYOUT**

CONTACT ARRANGEMENT  
1 6 2 7 3 8 4 9 5

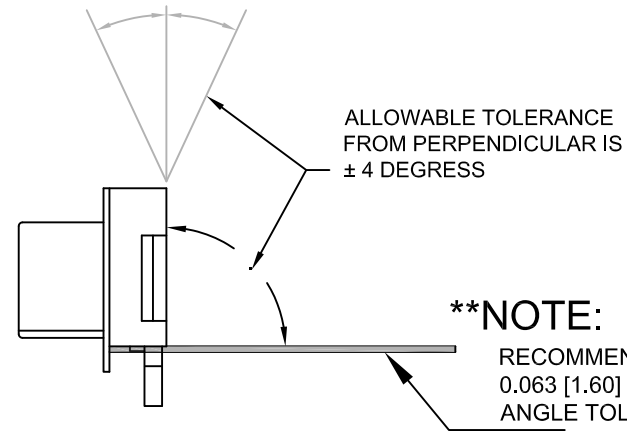


**DETAIL "B"**  
CONTACT COPLANARITY

SEE DETAIL "B"  
FOR CONTACT  
COPLANARITY



**DETAIL "A"**



DO NOT SCALE FROM DRAWING

	THESE DRAWINGS AND SPECIFICATIONS ARE THE PROPERTY OF NorComp AND SHALL NOT BE REPRODUCED, COPIED OR USED AS THE BASIS FOR THE MANUFACTURE OR SALE OF APPARATUS WITHOUT WRITTEN PERMISSION.		DRAWN: C. SMITH	DATE: 03-30-09
	<h1>NorComp</h1>		SCALE: NTS	SHEET OF 2 2
DWG NO. 190-009-263R001				

## **X-ON Electronics**

Largest Supplier of Electrical and Electronic Components

*Click to view similar products for [D-Sub Standard Connectors](#) category:*

*Click to view products by [NorComp](#) manufacturer:*

Other Similar products are found below :

[NorComp](#)