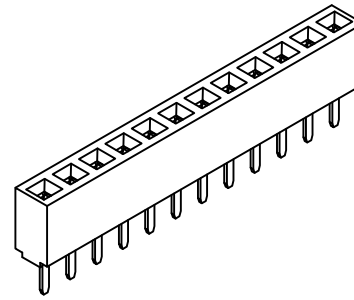
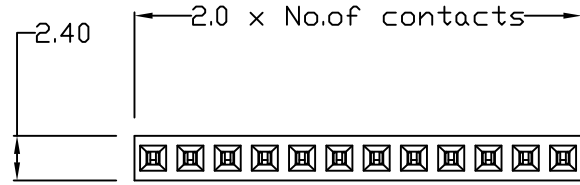


Description: 2mm Single Row Receptacle

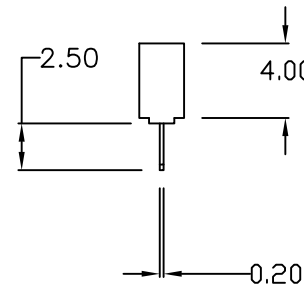
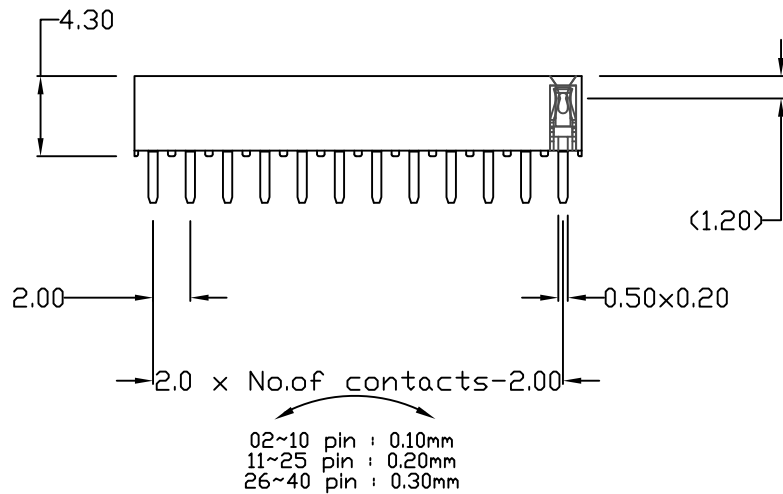


**Material:**

Insulator: Nylon-6T, Black, UL 94V-0  
 Process Temperature: 260°C for 10 seconds  
 Contact: Phosphor Bronze

**Electrical:**

Current Rating: 2 Amps  
 Contact Resistance: 20 mOhms Max.  
 Insulation Resistance: 5000 MOhms Min.  
 Working Voltage: 250V  
 Temperature: -40° C TO +105° C



2 5 6 3 Y Y 0 1 R P 2

**Series**

2563 = Single Row

**Position**

Single - Increments of 1  
 (02 to 40)

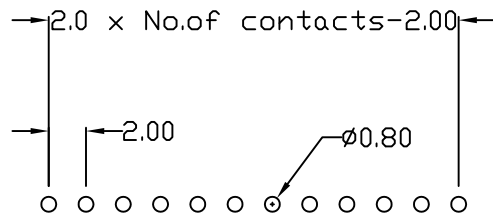
**Type**

01 = Straight

**Plating Options**

P2 = Gold Flash

Recommended P.C. Board  
 Hole Layout



Units = mm

Tolerance  
 .X ±0.3  
 .XX ±0.20  
 .XXX ±0.100

	THESE DRAWINGS AND SPECIFICATIONS ARE THE PROPERTY OF NorComp AND SHALL NOT BE REPRODUCED, COPIED OR USED AS THE BASIS FOR THE MANUFACTURE OF SALE OF APPARATUS WITHOUT WRITTEN PERMISSION.		DRAWN: PAM JENKINS	DATE: 1-30-06
	NorComp		SCALE: NTS	SHEET 1 OF 1 REV 3
DWG NO. 2563YY01RP2				

## X-ON Electronics

Largest Supplier of Electrical and Electronic Components

*Click to view similar products for [Headers & Wire Housings](#) category:*

*Click to view products by [NorComp](#) manufacturer:*

Other Similar products are found below :

[892-18-020-10-001101](#) [58102-G61-06LF](#) [582553-1](#) [0009485154](#) [009176003701906](#) [0050291907](#) [LY20-4P-DT1-P1E-BR](#) [02.125.8002.8](#)  
[609-3404](#) [61062-3](#) [622-0430](#) [622-3653LF](#) [63453-116](#) [636-1030](#) [636-1427](#) [636-3427](#) [636-4007](#) [641938-9](#) [641991-4](#) [644827-2](#) [65817-010LF](#)  
[65817-015LF](#) [65863-015LF](#) [66207-023LF](#) [67095-007LF](#) [67601157](#) [68648-049](#) [70.362.1628.0](#) [70-4210](#) [70-4226B](#) [70-4853B](#) [707-5020](#) [707-5028](#) [71.350.2428.0](#) [71918-208LF](#) [71961-016LF](#) [733-134](#) [733-162](#) [754199-000](#) [760-3052](#) [787-8014-00](#) [79531-3000](#) [FCN-360C032-B](#) [FCN-367T-T012/H](#) [FCN-723D010/2](#) [80.063.4001.1](#) [800-90-001-10-001000](#) [800-90-010-10-002000](#) [801-43-002-10-013000](#) [801-43-006-10-002000](#)