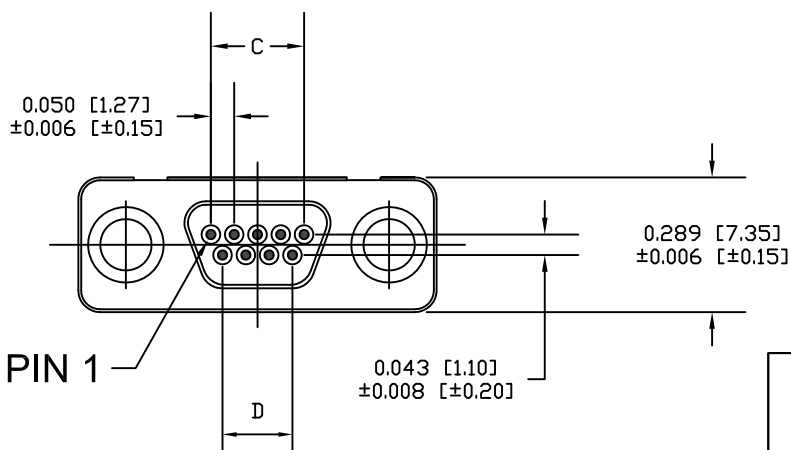
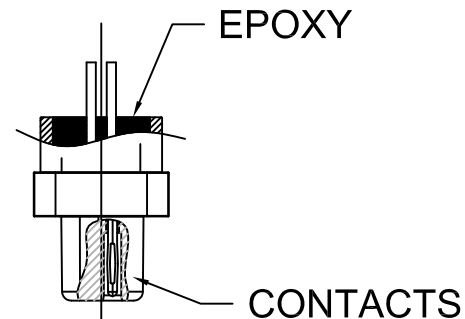
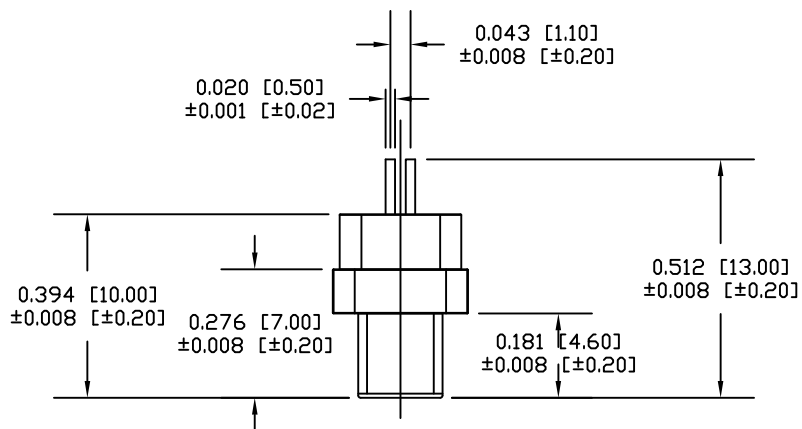
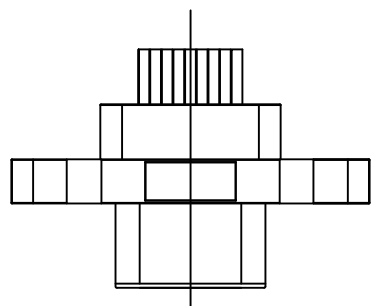
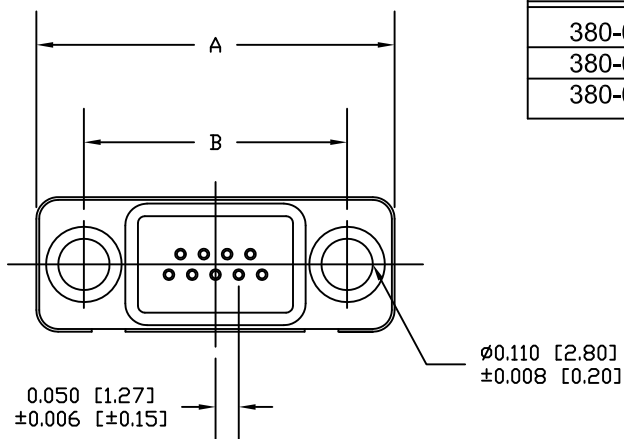


PART NUMBER	# OF PINS	A	B	C	D
380-009-113L001	9	0.770 [19.55]	0.565 [14.35]	0.200 [5.08]	0.150 [3.81]
380-015-113L001	15	0.919 [23.36]	0.717 [18.20]	0.350 [8.89]	0.300 [7.62]
380-025-113L001	25	1.169 [29.70]	0.967 [24.55]	0.600 [15.24]	0.550 [13.97]

TOLERANCE = ±0.006 [±0.15]

ELECTRICAL

CONTACT CURRENT RATING: 1 AMP
 DIELECTRIC WITHSTANDING VOLTAGE: 500 VAC
 INSULATION RESISTANCE: 1000 MOhms MIN.
 CONTACT RESISTANCE: 45 MILLI Ohms MAX.
 OPERATING TEMPERATURE: -55°C TO +85°C



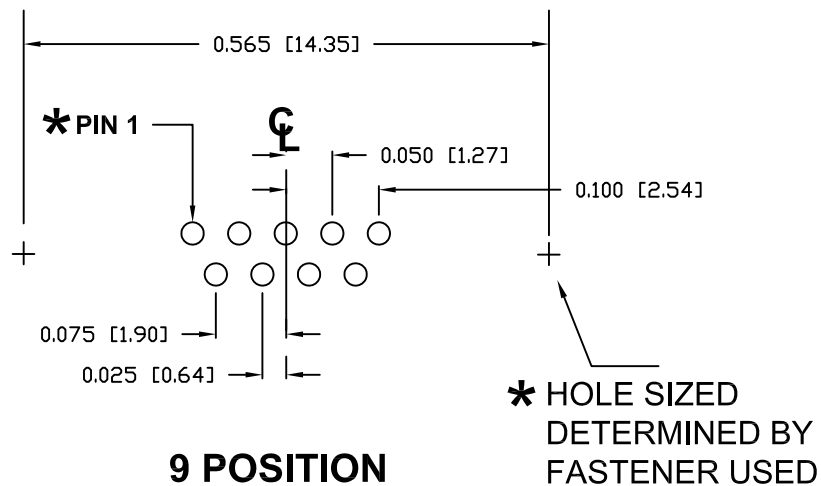
MATERIAL:

HOUSING: PBT
 SHELL: ZINC ALLOY
 CONTACTS: BERYLLIUM COPPER
 15 μ INCH GOLD MATING AREA
 TIN PLATED ON SOLDER AREA

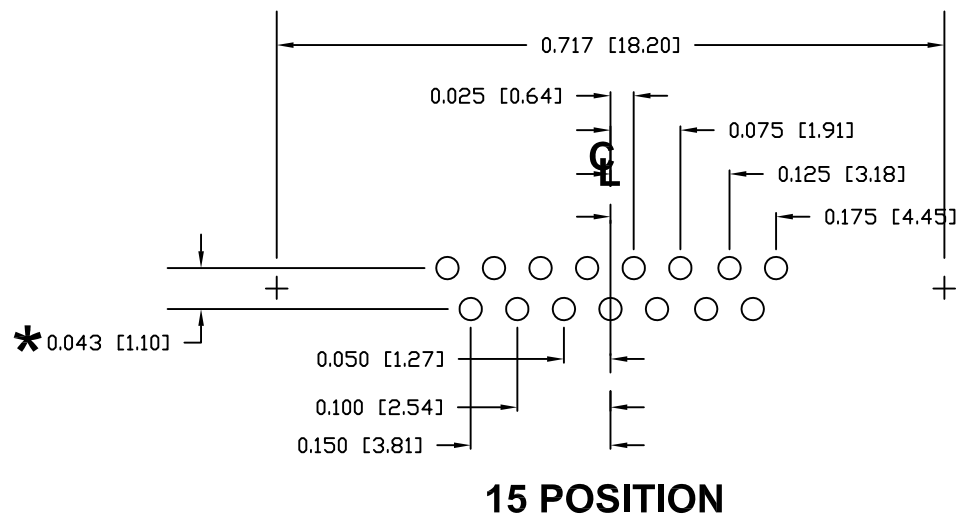
DO NOT SCALE FROM DRAWING

	THESE DRAWINGS AND SPECIFICATIONS ARE THE PROPERTY OF NorComp AND SHALL NOT BE REPRODUCED, COPIED OR USED AS THE BASIS FOR THE MANUFACTURE OF SALE OF APPARATUS WITHOUT WRITTEN PERMISSION.		DRAWN: M. SIGMON	DATE: 08-18-11
			SCALE: NTS	SHEET 1 OF 2
DWG NO.			380-YYY-113L001	

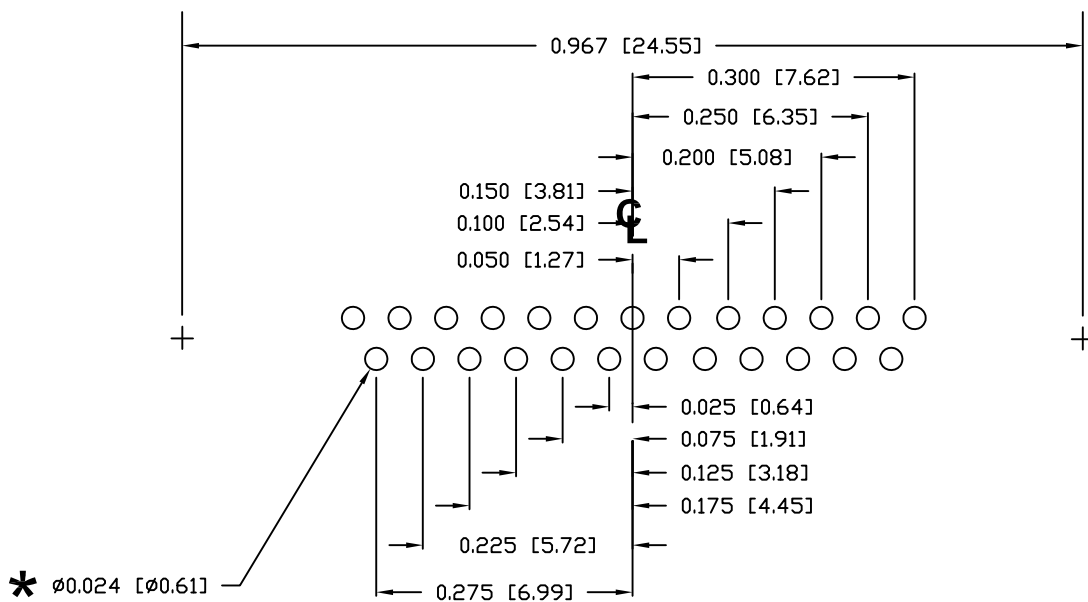
RoHS COMPLIANT



9 POSITION



15 POSITION



25 POSITION

*** TYP. ON ALL SIZES
TOLERANCE = ±0.002 [±0.05]**

DO NOT SCALE FROM DRAWING



THESE DRAWINGS AND SPECIFICATIONS ARE THE PROPERTY OF NorComp AND SHALL NOT BE REPRODUCED, COPIED OR USED AS THE BASIS FOR THE MANUFACTURE OF SALE OF APPARATUS WITHOUT WRITTEN PERMISSION.

DRAWN:
M. SIGMON

DATE:
08-18-11

NorComp

SCALE: NTS SHEET 2 OF 2 REV 3

DWG NO. 380-YYY-113L001

RoHS COMPLIANT

X-ON Electronics

Largest Supplier of Electrical and Electronic Components

Click to view similar products for [D-Sub Micro-D Connectors](#) category:

Click to view products by [NorComp](#) manufacturer:

Other Similar products are found below :

[89076GBEPR](#) [65-1920-15](#) [M83513/03-G12N](#) [M83513/04-G04C](#) [664020C06F060](#) [6R2004A30F015](#) [6R4006A28A120](#) [703006A13F060](#)
[704002A03F200](#) [705001A13F120](#) [7-1532020-5](#) [748567-1-P](#) [MDB1-9SH001](#) [MDM-100PH003L](#) [MDM-15PBS-L58](#) [MDM-15PCBRM7T](#)
[MDM-15PH001M7-A174](#) [MDM-15PH003B-A174](#) [MDM-15SH003A](#) [MDM-15SH004B](#) [MDM-15SH006A-A174](#) [MDM-15SH048B](#) [MDM-](#)
[25PH003B-A174](#) [MDM-25SH003F](#) [MDM-25SH003K](#) [MDM-31PH003L](#) [MDM-37PH006L-A174](#) [MDM-37SH003K](#) [MDM51PH016FA174](#)
[MDM-51PSF](#) [MDM-9SH001P](#) [MDM-9SH006B](#) [790-027SH-10P4MEP](#) [790-041PJ-25P2MPA](#) [790-043PJ-7P7MPB](#) [791-004SH-66MSA](#)
[7R3A00A19A1201](#) [7R5006A19A120](#) [803000C02M020](#) [803001B02M040](#) [803001D01M040](#) [8030N1A09M020](#) [804001B03M100](#)
[804006B03M100](#) [804006C02M030](#) [MLDM2L-21SCBRP-.110](#) [85043GULSR](#) [883020E03M030](#) [883031D01M030](#) [883033B03M020](#)