

NESTED  
PLUG  
CONTACT

USE ABOVE FRONT FACE DIMENSIONS FOR PCB LAYOUT DESIGN.  $\phi 0.8$ mm HOLE SIZE IS RECOMMENDED.

NOTE:

MATERIAL

INSULATOR LCP UL94V-0, BLACK  
CONTACT BRASS, 15u" GOLD PLATING  
SHELL ZINC ALLOY, NICKEL 60u"-100u"

ELECTRICAL

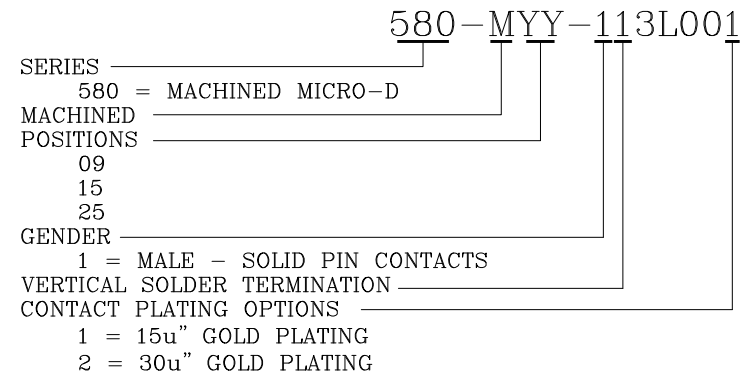
RATED CURRENT 2A  
VOLTAGE 60VDC  
INSULATOR RESISTANCE 1000 MOhms MIN.  
CONTACT RESISTANCE 30 mOhms MAX.

ENVIRONMENT

OPERATION TEMPERATURE -40°C TO +125°C

\*\*NOT DESIGNED TO MATE WITH NORCOMP 380 // 381 // 960 SERIES & NORCOMP MICRO-D CABLE ASSEMBLIES USING THE 960 SERIES CONNECTORS. IF ANY QUESTIONS PLEASE CONTACT ENG@NORCOMP.NET

DIMENSIONS(mm)					
SIZE	A	B	C	D	E
9	19.55	14.35	5.08	3.81	8.20
15	23.36	18.20	8.89	7.62	12.00
25	29.70	24.55	15.24	13.97	18.35



RoHS COMPLIANT



THESE DRAWINGS AND SPECIFICATIONS ARE THE PROPERTY OF NorComp AND SHALL NOT BE REPRODUCED, COPIED OR USED AS THE BASIS FOR THE MANUFACTURE OR SALE OF APPARATUS WITHOUT WRITTEN PERMISSION.

DRAWN:

J. KADEL

DATE:

05/14/2020

TOLERANCES

.x  $\pm 0.20$   
.xx  $\pm 0.10$   
.xxx  $\pm 0.05$   
.xxxx  $\pm 0.03$   
ANGULAR  $\pm 1^\circ$

UNITS = mm

DO NOT SCALE FROM DRAWING

NorComp

SCALE:  
NTS

SHEET OF  
1 1

REV  
3

DWG NO.

580-MYY-113L001

## X-ON Electronics

Largest Supplier of Electrical and Electronic Components

*Click to view similar products for [D-Sub Micro-D Connectors](#) category:*

*Click to view products by [NorComp](#) manufacturer:*

Other Similar products are found below :

[89076GBEPR](#) [65-1920-15](#) [M83513/03-G12N](#) [M83513/04-G04C](#) [664020C06F060](#) [6R2004A30F015](#) [6R4006A28A120](#) [703006A13F060](#)  
[704002A03F200](#) [705001A13F120](#) [7-1532020-5](#) [748567-1-P](#) [MDB1-9SH001](#) [MDM-100PH003L](#) [MDM-15PBS-L58](#) [MDM-15PCBRM7T](#)  
[MDM-15PH001M7-A174](#) [MDM-15PH003B-A174](#) [MDM-15SH003A](#) [MDM-15SH004B](#) [MDM-15SH006A-A174](#) [MDM-15SH048B](#) [MDM-](#)  
[25PH003B-A174](#) [MDM-25SH003F](#) [MDM-25SH003K](#) [MDM-31PH003L](#) [MDM-37PH006L-A174](#) [MDM-37SH003K](#) [MDM51PH016FA174](#)  
[MDM-51PSF](#) [MDM-9SH001P](#) [MDM-9SH006B](#) [790-027SH-10P4MEP](#) [790-041PJ-25P2MPA](#) [790-043PJ-7P7MPB](#) [791-004SH-66MSA](#)  
[7R3A00A19A1201](#) [7R5006A19A120](#) [803000C02M020](#) [803001B02M040](#) [803001D01M040](#) [8030N1A09M020](#) [804001B03M100](#)  
[804006B03M100](#) [804006C02M030](#) [MLDM2L-21SCBRP-.110](#) [85043GULSR](#) [883020E03M030](#) [883031D01M030](#) [883033B03M020](#)