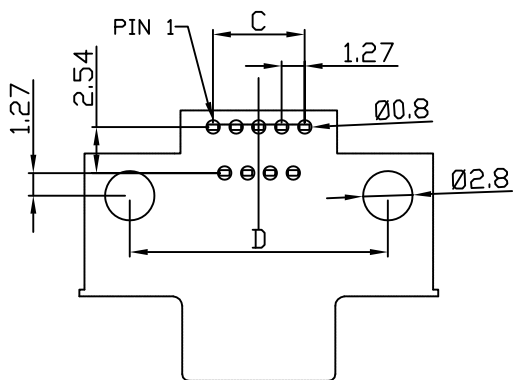


NESTED
PLUG
CONTACT



P.C.B LAYOUT

NOTE:

MATERIAL

INSULATOR
CONTACT

LCP UL94V-0, BLACK
BRASS
15u" GOLD PLATING MATING AREA
60u" TIN SOLDER AREA
STEEL, NICKEL 60u"-100u"
BRASS, NICKEL 60u"-100u"
BRASS, NICKEL 60u"-100u"

FRONT SHELL
BACK SHELL
BOARD LOCK

ELECTRICAL

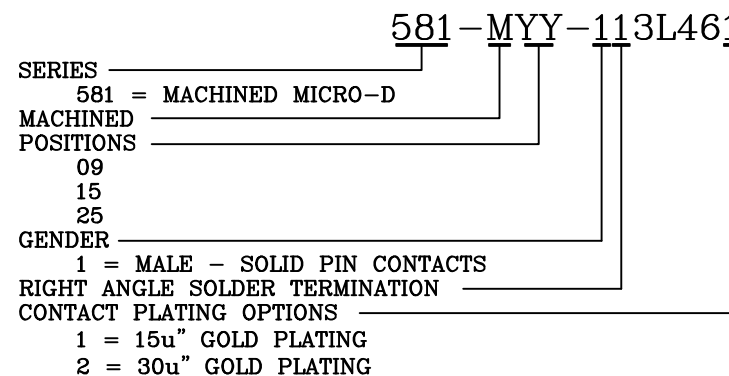
RATED CURRENT 2A
VOLTAGE 60VDC
INSULATOR RESISTANCE 1000 MOhms MIN.
CONTACT RESISTANCE 30 mOhms MAX.

ENVIRONMENT

OPERATION TEMPERATURE -40°C TO +125°C

****NOT DESIGNED TO MATE WITH NORCOMP 380 // 381 // 960 SERIES & NORCOMP MICRO-D CABLE ASSEMBLIES USING THE 960 SERIES CONNECTORS. IF ANY QUESTIONS PLEASE CONTACT ENG@NORCOMP.NET**

DIMENSIONS(mm)					
SIZE	A	B	C	D	E
9	19.93	14.35	5.08	14.35	8.30
15	23.75	18.20	8.89	18.16	12.20
25	30.10	24.55	15.24	24.51	18.55



RoHS COMPLIANT



THESE DRAWINGS AND SPECIFICATIONS ARE THE PROPERTY OF NorComp AND SHALL NOT BE REPRODUCED, COPIED OR USED AS THE BASIS FOR THE MANUFACTURE OR SALE OF APPARATUS WITHOUT WRITTEN PERMISSION.

DRAWN:

J. KADEL

DATE:

05/14/2020

TOLERANCES

.x ±0.20
.xx ±0.15
.xxx ±0.10
.xxxx ±0.05
ANGULAR ±1°

UNITS = mm

DO NOT SCALE FROM DRAWING

NorComp

SCALE:

NTS

SHEET

OF

1

1

REV

2

DWG NO.

581-MYY-113L461

X-ON Electronics

Largest Supplier of Electrical and Electronic Components

Click to view similar products for [D-Sub Micro-D Connectors](#) category:

Click to view products by [NorComp](#) manufacturer:

Other Similar products are found below :

[89076GBEPR](#) [65-1920-15](#) [M83513/03-G12N](#) [M83513/04-G04C](#) [664020C06F060](#) [6R2004A30F015](#) [6R4006A28A120](#) [703006A13F060](#)
[704002A03F200](#) [705001A13F120](#) [7-1532020-5](#) [748567-1-P](#) [MDB1-9SH001](#) [MDM-100PH003L](#) [MDM-15PBS-L58](#) [MDM-15PCBRM7T](#)
[MDM-15PH001M7-A174](#) [MDM-15PH003B-A174](#) [MDM-15SH003A](#) [MDM-15SH004B](#) [MDM-15SH006A-A174](#) [MDM-15SH048B](#) [MDM-](#)
[25PH003B-A174](#) [MDM-25SH003F](#) [MDM-25SH003K](#) [MDM-31PH003L](#) [MDM-37PH006L-A174](#) [MDM-37SH003K](#) [MDM51PH016FA174](#)
[MDM-51PSF](#) [MDM-9SH001P](#) [MDM-9SH006B](#) [790-027SH-10P4MEP](#) [790-041PJ-25P2MPA](#) [790-043PJ-7P7MPB](#) [791-004SH-66MSA](#)
[7R3A00A19A1201](#) [7R5006A19A120](#) [803000C02M020](#) [803001B02M040](#) [803001D01M040](#) [8030N1A09M020](#) [804001B03M100](#)
[804006B03M100](#) [804006C02M030](#) [MLDM2L-21SCBRP-.110](#) [85043GULSR](#) [883020E03M030](#) [883031D01M030](#) [883033B03M020](#)