

DESCRIPTION: 17W2 // F // COAXIAL // SIGNAL // CBL MNT

**SPECIFICATIONS:**

**ELECTRICAL:**

INSULATOR RESISTANCE: 5 GOHMS Min.  
 WORKING VOLTAGE: 250V  
 OPERATING TEMPERATURE: -55° C ~ +125° C  
 SIGNAL CONTACT RESISTANCE: 10 MillioHMS Max.  
 SIGNAL CURRENT RATING: 5 AMPS  
 COAXIAL CONTACT RESISTANCE: 2.7 MillioHMS Max.  
 COAXIAL PIN: SEE PART NUMBER KEY

**MECHANICAL:**

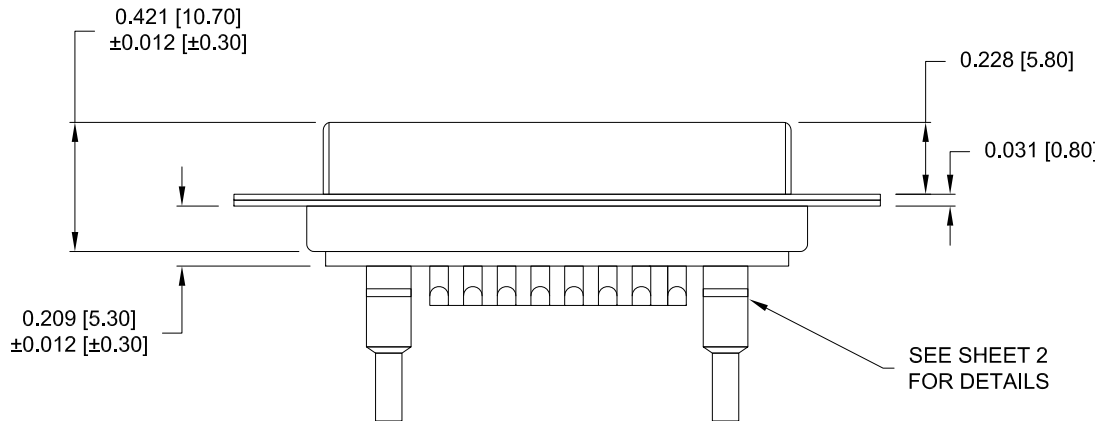
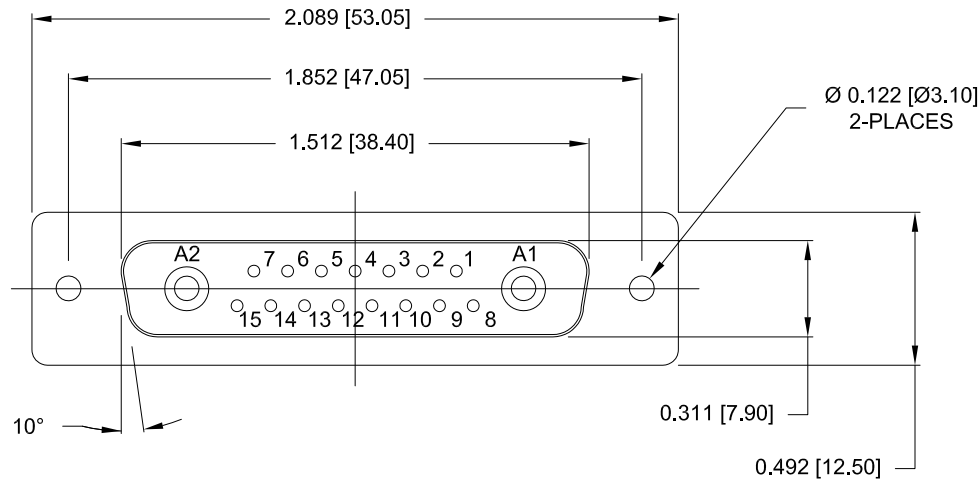
CONTACT INSERTION FORCE: 4.5 Kg Max.  
 CONTACT SEPARATOR FORCE: 0.3Kg Min.

**MATERIALS:**

CONTACTS: COPPER ALLOY  
 INSULATOR: PBT UL94V-0 RATED,  
 230°C PROCESS TEMP.  
 SHELL: STEEL

**FINISH:**

SHELL: NICKEL  
 CONTACTS: FULL GOLD FLASH



**682M17W2203LYYY**

0 = 50 OHM  
 (CONTACT NORCOMP) 7 = 75 OHM

- 1 = Gold Flash
- 0 = NO HARDWARE
- 1 = 0.098" CN PCB SIDE
- 2 = 0.236" CN PCB SIDE
- 3 = 0.236" CN MATING SIDE

**RoHS COMPLIANT**

UNITS = INCHES [MM] **DO NOT SCALE FROM DRAWING**



THESE DRAWINGS AND SPECIFICATIONS ARE THE PROPERTY OF NorComp AND SHALL NOT BE REPRODUCED, COPIED OR USED AS THE BASIS FOR THE MANUFACTURE OR SALE OF APPARATUS WITHOUT WRITTEN PERMISSION.

DRAWN: M. SIGMON

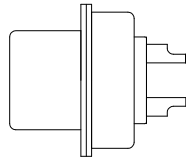
DATE: 02/23/2015

**NorComp**

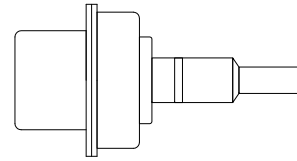
SCALE: NTS	SHEET 1	OF 3	REV 1
DWG NO:		682M17W2203L001	

**NOTE:**

- COAXIAL CONTACTS SUPPLIED - NOT PRE-LOADED
- PLEASE SEE NORCOMP 682M SERIES WEBSITE PRODUCT PAGE FOR ASSEMBLY INSTRUCTION PDF AND INDIVIDUAL CONTACT DRAWING PDFS



**SIGNAL CONTACTS**  
ACCEPTS UP TO 20 AWG WIRE



**50 OHM COAXIAL CONTACT\***  
ACCEPTS 50 OHM COAX, RG316/RG174  
\*75 OHM (CONTACT NORCOMP)

**RoHS COMPLIANT**

UNITS = INCHES [MM] **DO NOT SCALE FROM DRAWING**



THESE DRAWINGS AND SPECIFICATIONS ARE THE PROPERTY OF NorComp AND SHALL NOT BE REPRODUCED, COPIED OR USED AS THE BASIS FOR THE MANUFACTURE OR SALE OF APPARATUS WITHOUT WRITTEN PERMISSION.

DRAWN:  
**M. SIGMON**

DATE:  
**02/23/2015**

**NorComp**

SCALE:  
NTS

SHEET OF  
2 3

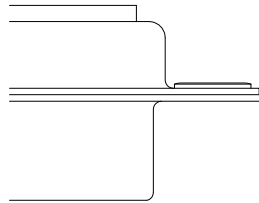
REV  
1

DWG NO: **682M17W2203L001**

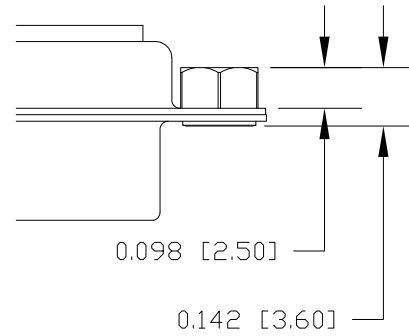
**TOLERANCE:**  
ALL DIMENSIONS ARE ±0.010

**ALL CLINCH-NUTS ARE 4-40 INTERNAL THREADS**

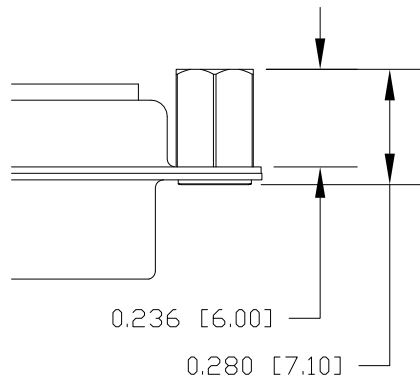
0 ..... NO HARDWARE



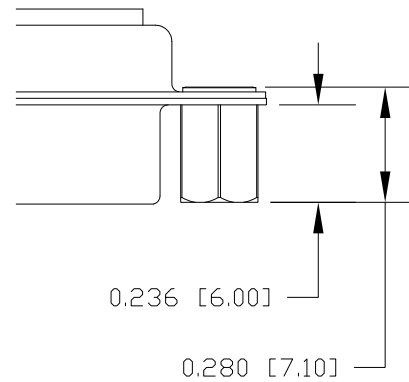
1 ..... 0.098" PCB SIDE



2 ..... 0.236" PCB SIDE



3 ..... 0.236" MATING SIDE



**RoHS COMPLIANT**

UNITS = INCHES [MM] DO NOT SCALE FROM DRAWING



THESE DRAWINGS AND SPECIFICATIONS ARE THE PROPERTY OF NorComp AND SHALL NOT BE REPRODUCED, COPIED OR USED AS THE BASIS FOR THE MANUFACTURE OR SALE OF APPARATUS WITHOUT WRITTEN PERMISSION.

DRAWN:  
**M. SIGMON**

DATE:  
**02/23/2015**

**NorComp**

SCALE:  
NTS

SHEET OF  
3 3

REV  
1

DWG NO:

**682M17W2203L001**

## X-ON Electronics

Largest Supplier of Electrical and Electronic Components

*Click to view similar products for [D-Sub Mixed Contact Connectors](#) category:*

*Click to view products by [NorComp](#) manufacturer:*

Other Similar products are found below :

[053512-1479](#) [09691000022](#) [09691000522](#) [09691009046](#) [09691009048](#) [09691009049](#) [09691015051](#) [09691017051](#) [09691100022](#)  
[09691100022500](#) [09691100522](#) [09691400022](#) [09691815143](#) [09691815823](#) [09691817143](#) [09691817821](#) [09691825420](#) [09691825821](#)  
[09691827232](#) [09691827420](#) [09691827421](#) [09692000033](#) [09692000633](#) [09692009020](#) [09692009046](#) [09 69 200 9049](#) [09692009147](#)  
[09692009155](#) [09692009224](#) [09692015072](#) [09692015111](#) [09692017072](#) [09692017111](#) [09692020072](#) [09692020111](#) [09692100033](#)  
[09692100633](#) [09692115072](#) [09692117111](#) [09692120072](#) [09692120111](#) [09692815143](#) [09692815823](#) [09692817140](#) [09692817141](#)  
[09692817143](#) [09692817420](#) [09692825420](#) [09692825821](#) [09692827420](#)