

DESCRIPTION: COAXIAL / SIGNAL - RIGHT ANGLE - FEMALE - MACHINED

UNITS = INCHES [MM]

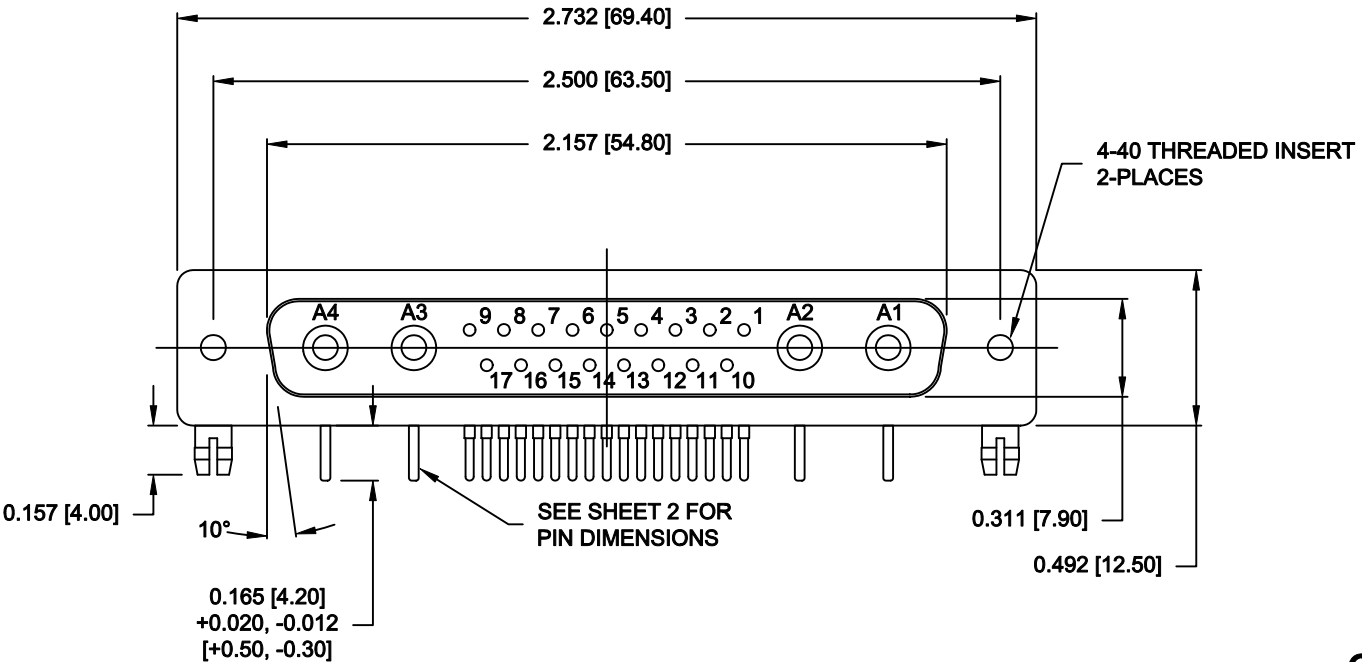
SPECIFICATIONS:

ELECTRICAL:
 INSULATOR RESISTANCE: 5 GOHMS Min.
 DIELECTRIC WITHSTANDING: 1,000VAC r.m.s.
 OPERATING TEMPERATURE: -55° C ~ +125° C
 SIGNAL CONTACT RESISTANCE: 10 Milliohms Max.
 COAXIAL CONTACT RESISTANCE: 2.7 Milliohms Max.
 COAXIAL IMPEDANCE: 50 OHM
 SIGNAL CURRENT RATING: 5 AMPS

MECHANICAL:
 CONTACT INSERTION FORCE: 4.5 Kg Max.
 CONTACT SEPARATOR FORCE: 0.3Kg Min.

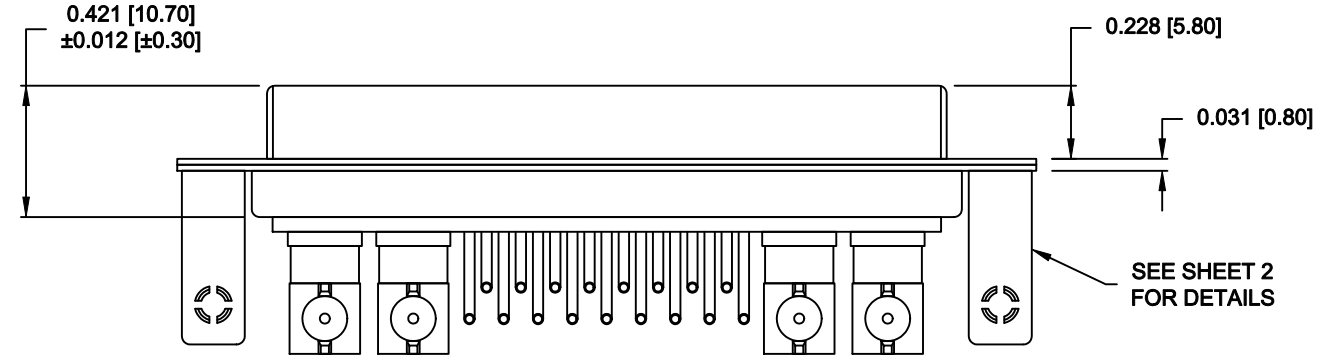
MATERIALS:
 CONTACTS: COPPER ALLOY
 INSULATOR: PBT UL94V-0 RATED, BLACK
 230°C PROCESS TEMP. STEEL

FINISH:
 SHELL: NICKEL
 CONTACTS: FULL GOLD FLASH





685M21WA4SL461

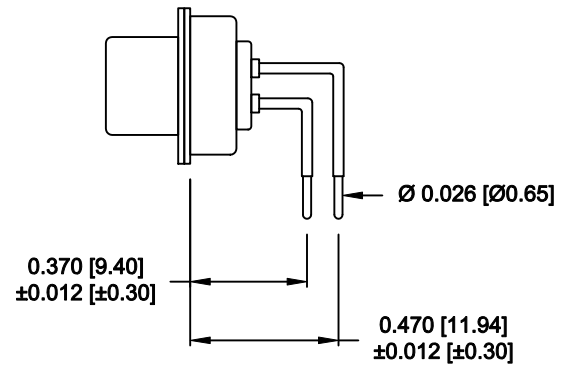
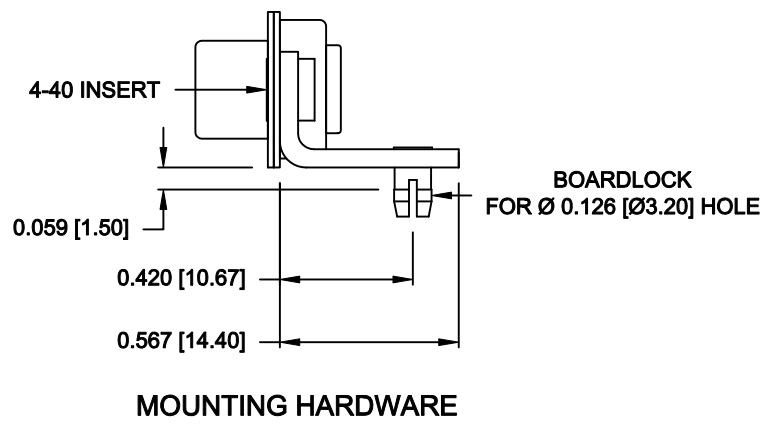
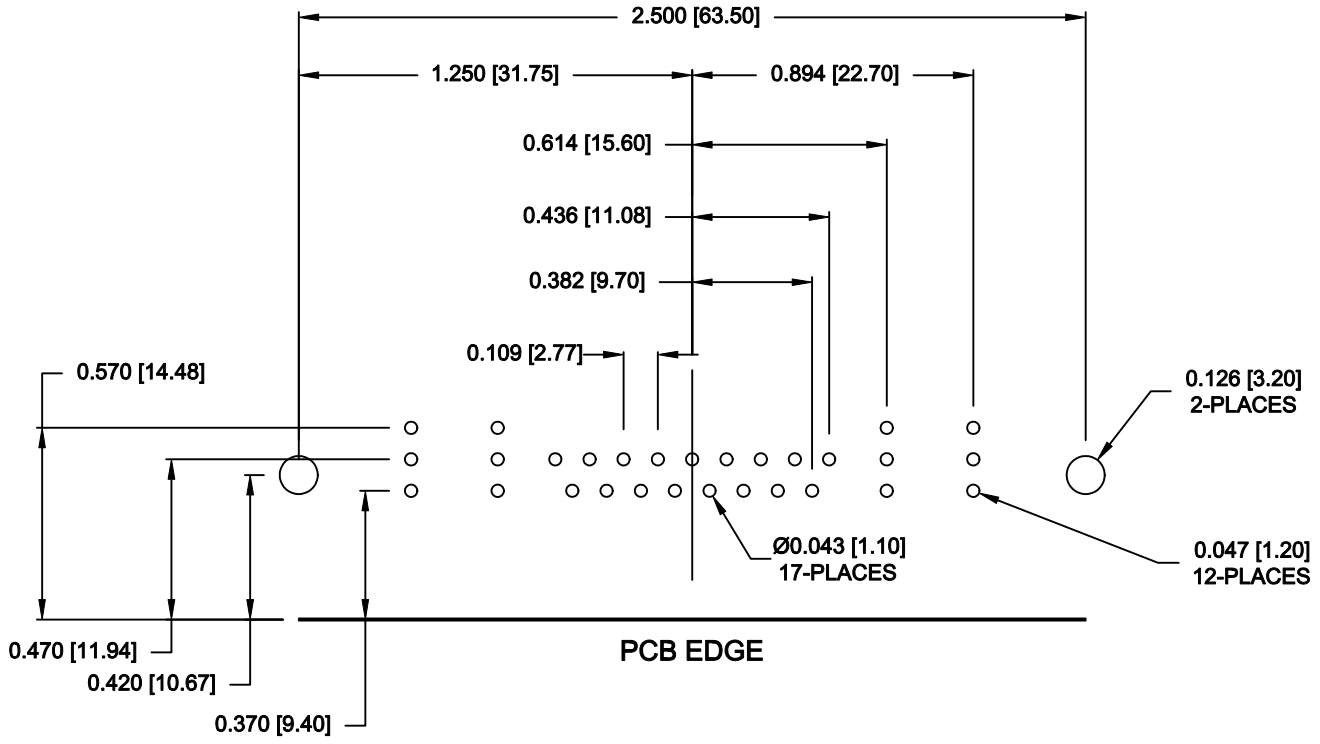
46 = 4-40 INSERTS / BOARD LOCKS



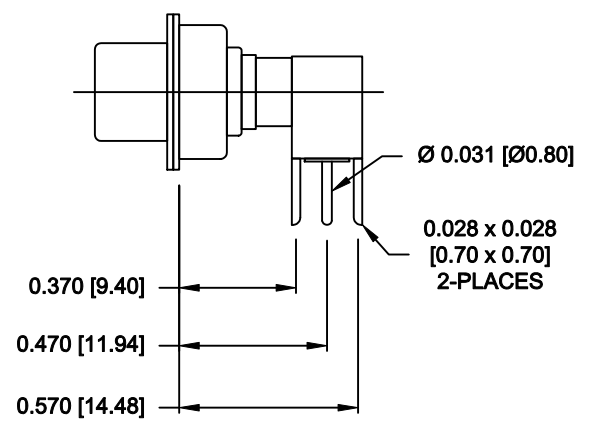
RoHS COMPLIANT

	THESE DRAWINGS AND SPECIFICATIONS ARE THE PROPERTY OF NorComp AND SHALL NOT BE REPRODUCED, COPIED OR USED AS THE BASIS FOR THE MANUFACTURE OR SALE OF APPARATUS WITHOUT WRITTEN PERMISSION.		DRAWN: M. SIGMON	DATE: 02-27-15
			CHECKED:	DATE:
	SCALE: 1.5 = 1	SHEET 1 OF 2	REV 0	
	DWG NO. 685M21WA4SL461			

**NOTE:
POWER CONTACTS COME
PRE-LOADED INTO INSULATORS**



SIGNAL CONTACTS



50 OHM COAXIAL CONTACT

RoHS COMPLIANT

	THESE DRAWINGS AND SPECIFICATIONS ARE THE PROPERTY OF NorComp AND SHALL NOT BE REPRODUCED, COPIED OR USED AS THE BASIS FOR THE MANUFACTURE OR SALE OF APPARATUS WITHOUT WRITTEN PERMISSION.		DRAWN: M. SIGMON	DATE: 02-27-15
			CHECKED:	DATE:
NorComp	SCALE: 1.5 = 1	SHEET 2	OF 2	REV 0
	DWG NO. 685M21WA4SL461			

X-ON Electronics

Largest Supplier of Electrical and Electronic Components

Click to view similar products for [D-Sub Mixed Contact Connectors](#) category:

Click to view products by [NorComp](#) manufacturer:

Other Similar products are found below :

[053512-1479](#) [09691000022](#) [09691000522](#) [09691009046](#) [09691009048](#) [09691009049](#) [09691015051](#) [09691017051](#) [09691100022](#)
[09691100022500](#) [09691100522](#) [09691400022](#) [09691815143](#) [09691815823](#) [09691817143](#) [09691817821](#) [09691825420](#) [09691825821](#)
[09691827232](#) [09691827420](#) [09691827421](#) [09692000033](#) [09692000633](#) [09692009020](#) [09692009046](#) [09 69 200 9049](#) [09692009147](#)
[09692009155](#) [09692009224](#) [09692015072](#) [09692015111](#) [09692017072](#) [09692017111](#) [09692020072](#) [09692020111](#) [09692100033](#)
[09692100633](#) [09692115072](#) [09692117111](#) [09692120072](#) [09692120111](#) [09692815143](#) [09692815823](#) [09692817140](#) [09692817141](#)
[09692817143](#) [09692817420](#) [09692825420](#) [09692825821](#) [09692827420](#)