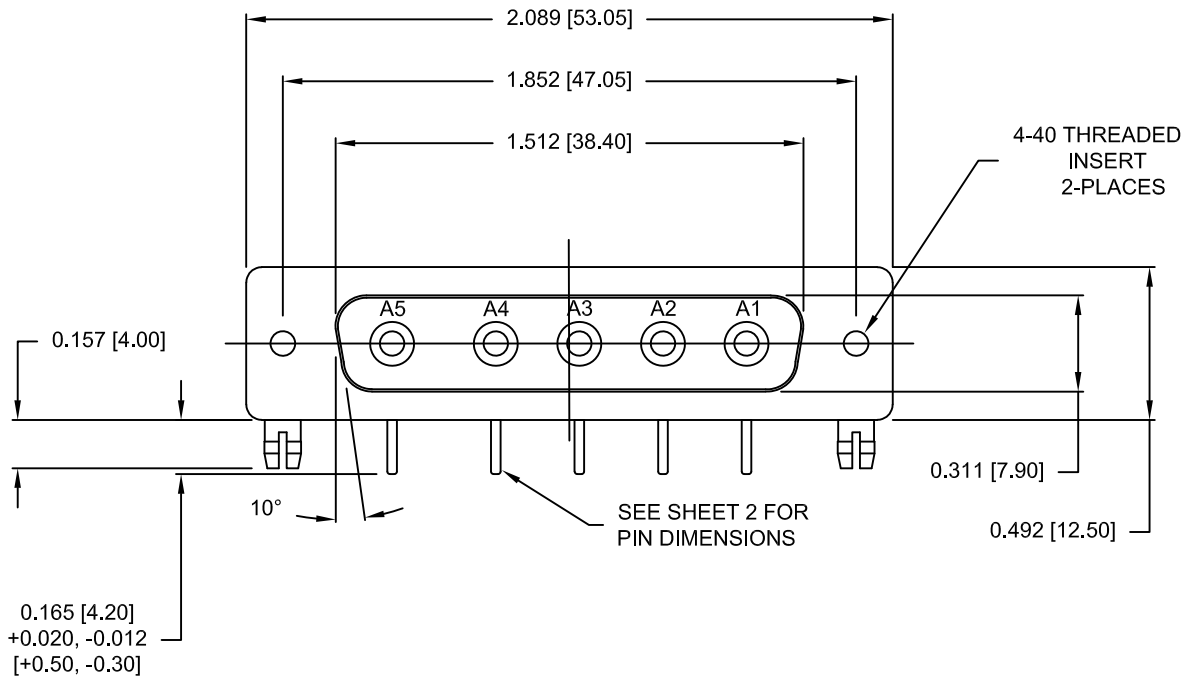


DESCRIPTION: COAXIAL - RIGHT ANGLE - FEMALE - MACHINED

UNITS = INCHES [MM]



SPECIFICATIONS:

ELECTRICAL:

INSULATOR RESISTANCE: 5 GOHMS Min.
 DIELECTRIC WITHSTANDING: 1,000VAC r.m.s.
 OPERATING TEMPERATURE: -55° C ~ +125° C
 COAXIAL CONTACT RESISTANCE: 2.7 Milliohms Max.
 COAXIAL IMPEDANCE: 50 OHM

MECHANICAL:

CONTACT INSERTION FORCE: 4.5 Kg Max.
 CONTACT SEPARATOR FORCE: 0.3Kg Min.

MATERIALS:

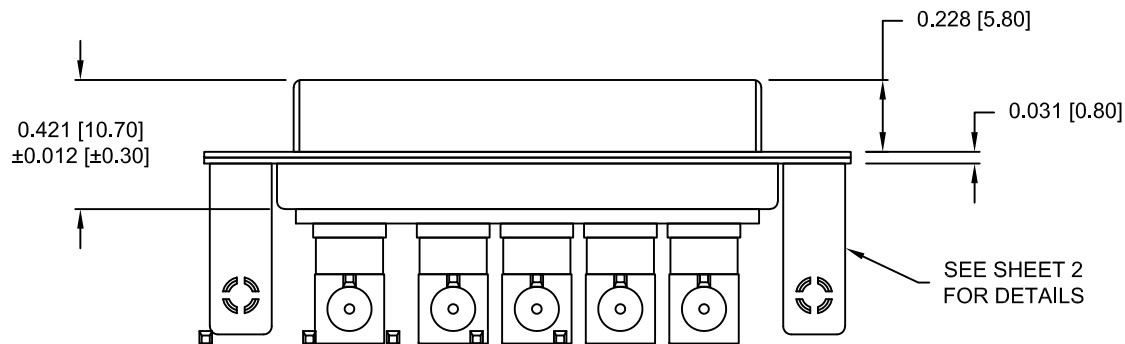
CONTACTS: COPPER ALLOY
 INSULATOR: PBT UL94V-0 RATED, BLACK
 230°C PROCESS TEMP.
 SHELL: STEEL

FINISH:

SHELL: NICKEL
 CONTACTS: FULL GOLD FLASH

685M5W5203L461

46 = 4-40 INSERTS / BOARD LOCKS



RoHS COMPLIANT



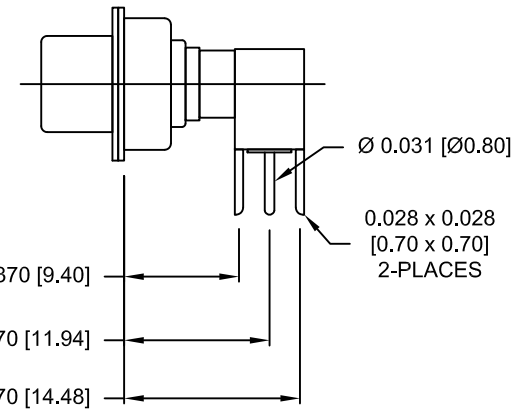
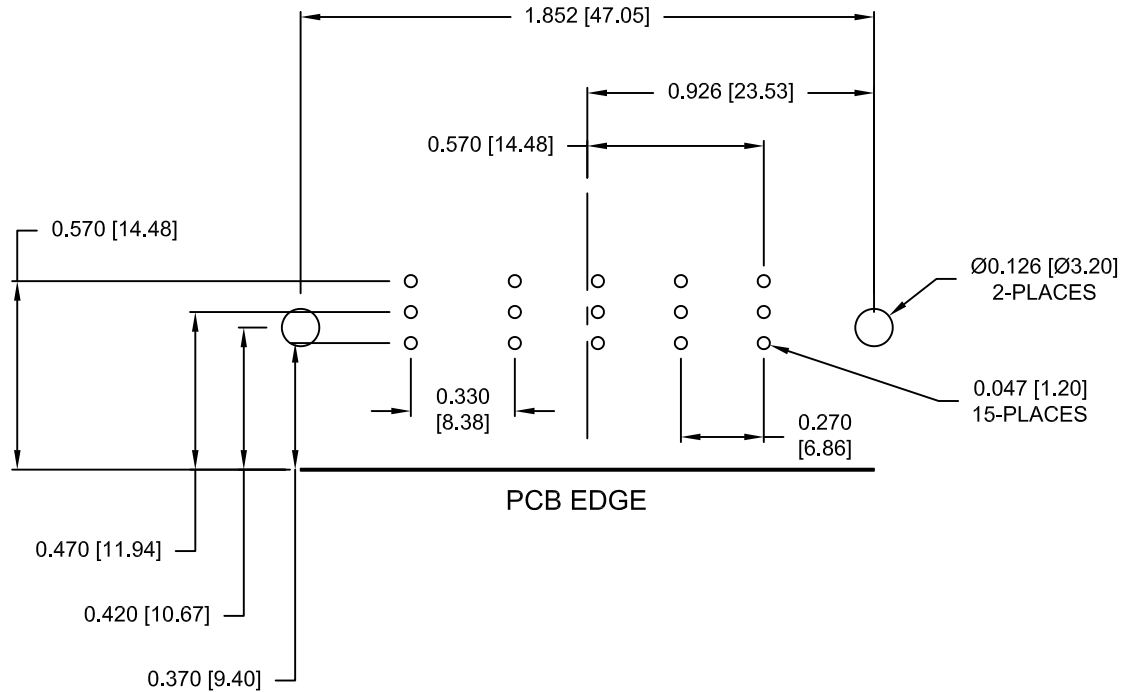
THESE DRAWINGS AND SPECIFICATIONS ARE THE PROPERTY OF NorComp AND SHALL NOT BE REPRODUCED, COPIED OR USED AS THE BASIS FOR THE MANUFACTURE OR SALE OF APPARATUS WITHOUT WRITTEN PERMISSION.

NorComp

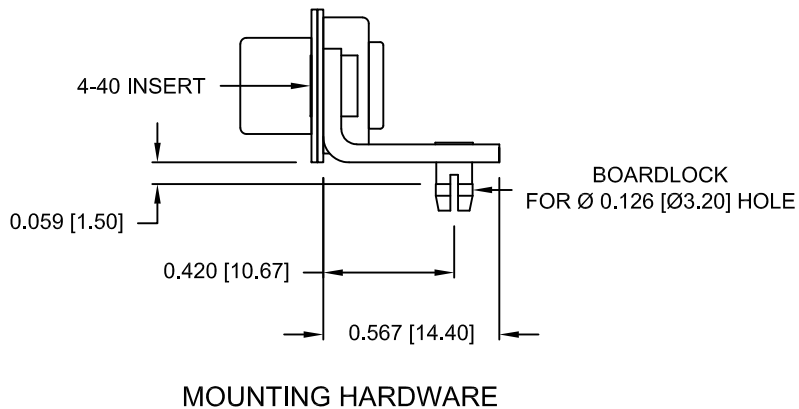
DRAWN: M. SIGMON		DATE: 03-03-15	
SCALE: 1.5 = 1	SHEET 1	OF 2	REV 1
DWG NO. 685M5W5203L461			

DESCRIPTION: 685M SERIES CONTACTS


NOTE:
COAXIAL CONTACTS COME
PRE-LOADED INTO INSULATORS



50 OHM COAXIAL CONTACT



RoHS COMPLIANT

	THESE DRAWINGS AND SPECIFICATIONS ARE THE PROPERTY OF NorComp AND SHALL NOT BE REPRODUCED, COPIED OR USED AS THE BASIS FOR THE MANUFACTURE OR SALE OF APPARATUS WITHOUT WRITTEN PERMISSION.		DRAWN: M. SIGMON	DATE: 03-03-15
	<h1>NorComp</h1>		SCALE: 1.5 = 1	SHEET OF 2 2
			DWG NO. 685M5W5203L461	

X-ON Electronics

Largest Supplier of Electrical and Electronic Components

Click to view similar products for [D-Sub Mixed Contact Connectors](#) category:

Click to view products by [NorComp](#) manufacturer:

Other Similar products are found below :

[053512-1479](#) [09691000022](#) [09691000522](#) [09691009046](#) [09691009048](#) [09691009049](#) [09691015051](#) [09691017051](#) [09691100022](#)
[09691100022500](#) [09691100522](#) [09691400022](#) [09691815143](#) [09691815823](#) [09691817143](#) [09691817821](#) [09691825420](#) [09691825821](#)
[09691827232](#) [09691827420](#) [09691827421](#) [09692000033](#) [09692000633](#) [09692009020](#) [09692009046](#) [09 69 200 9049](#) [09692009147](#)
[09692009155](#) [09692009224](#) [09692015072](#) [09692015111](#) [09692017072](#) [09692017111](#) [09692020072](#) [09692020111](#) [09692100033](#)
[09692100633](#) [09692115072](#) [09692117111](#) [09692120072](#) [09692120111](#) [09692815143](#) [09692815823](#) [09692817140](#) [09692817141](#)
[09692817143](#) [09692817420](#) [09692825420](#) [09692825821](#) [09692827420](#)