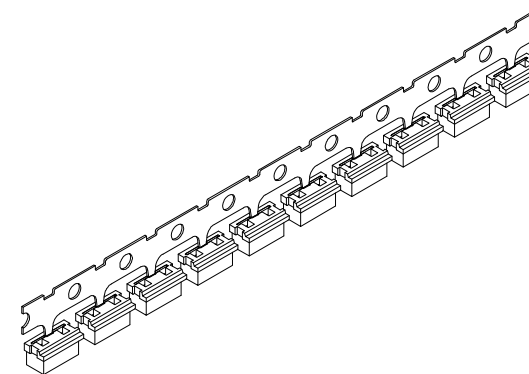
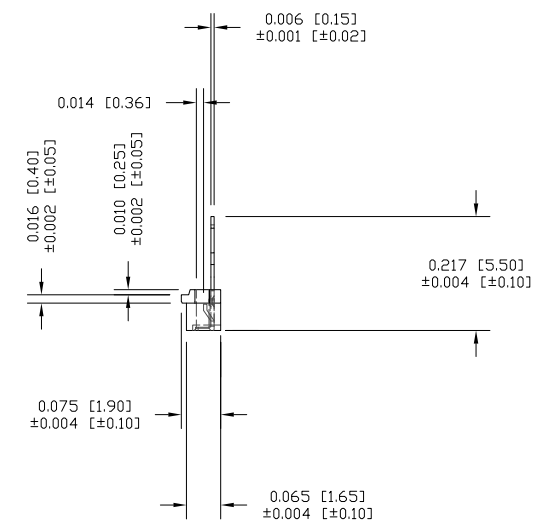
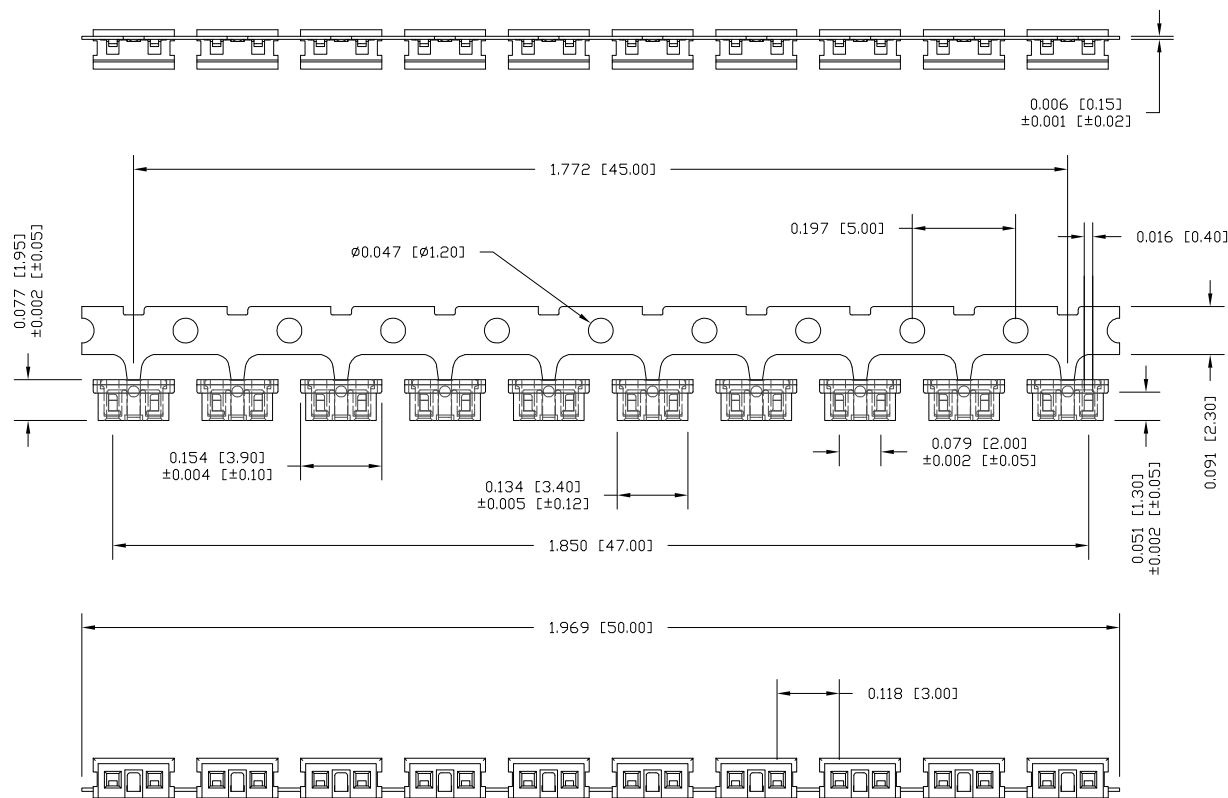


DESCRIPTION: 2MM SHUNT LOW PROFILE, 15 MICRINCH

CURRENT RATING: 1 AMP
 INSULATOR RESISTANCE: 5000 MOHMS MIN
 CONTACT RESISTANCE: 20 mOHMS MAX
 D.W.V: 500VAC
 OPERATING TEMPERATURE: -40°C TO 105°C
 PROCESSING TEMP: 260°C FOR 10 SEC
 CONTACT MATERIAL: PHOSPHOR BRONZE
 INSULATOR MATERIAL: NYLON 9T, UL 94V-0
 CONTACT PLATING: 15u" Pd Ni



**Note: Supplied on strips of 10
100 pieces per bag



810-Y02-LP1R001

COLOR
 0 = BLACK
 R = RED

RoHS COMPLIANT

UNITS = inch[mm]

DO NOT SCALE FROM DRAWING



THESE DRAWINGS AND SPECIFICATIONS ARE THE PROPERTY OF NorComp AND SHALL NOT BE REPRODUCED, COPIED OR USED AS THE BASIS FOR THE MANUFACTURE OR SALE OF APPARATUS WITHOUT WRITTEN PERMISSION.

DRAWN:
P. JENKINS
DATE:
12/12/2006

NorComp

SCALE: NTS	SHEET 1	OF 1	REV 4
DWG NO.		810-Y02-LP1R001	

X-ON Electronics

Largest Supplier of Electrical and Electronic Components

Click to view similar products for [Headers & Wire Housings](#) category:

Click to view products by [NorComp](#) manufacturer:

Other Similar products are found below :

[892-18-020-10-001101](#) [58102-G61-06LF](#) [582553-1](#) [0009485154](#) [009176003701906](#) [0050291907](#) [LY20-4P-DT1-P1E-BR](#) [02.125.8002.8](#)
[609-3404](#) [61062-3](#) [622-0430](#) [622-3653LF](#) [63453-116](#) [636-1030](#) [636-1427](#) [636-3427](#) [636-4007](#) [641938-9](#) [641991-4](#) [644827-2](#) [65817-010LF](#)
[65817-015LF](#) [65863-015LF](#) [66207-023LF](#) [67095-007LF](#) [67601157](#) [68648-049](#) [70.362.1628.0](#) [70-4210](#) [70-4226B](#) [70-4853B](#) [707-5020](#) [707-5028](#) [71.350.2428.0](#) [71918-208LF](#) [71961-016LF](#) [733-134](#) [733-162](#) [754199-000](#) [760-3052](#) [787-8014-00](#) [79531-3000](#) [FCN-360C032-B](#) [FCN-367T-T012/H](#) [FCN-723D010/2](#) [80.063.4001.1](#) [800-90-001-10-001000](#) [800-90-010-10-002000](#) [801-43-002-10-013000](#) [801-43-006-10-002000](#)